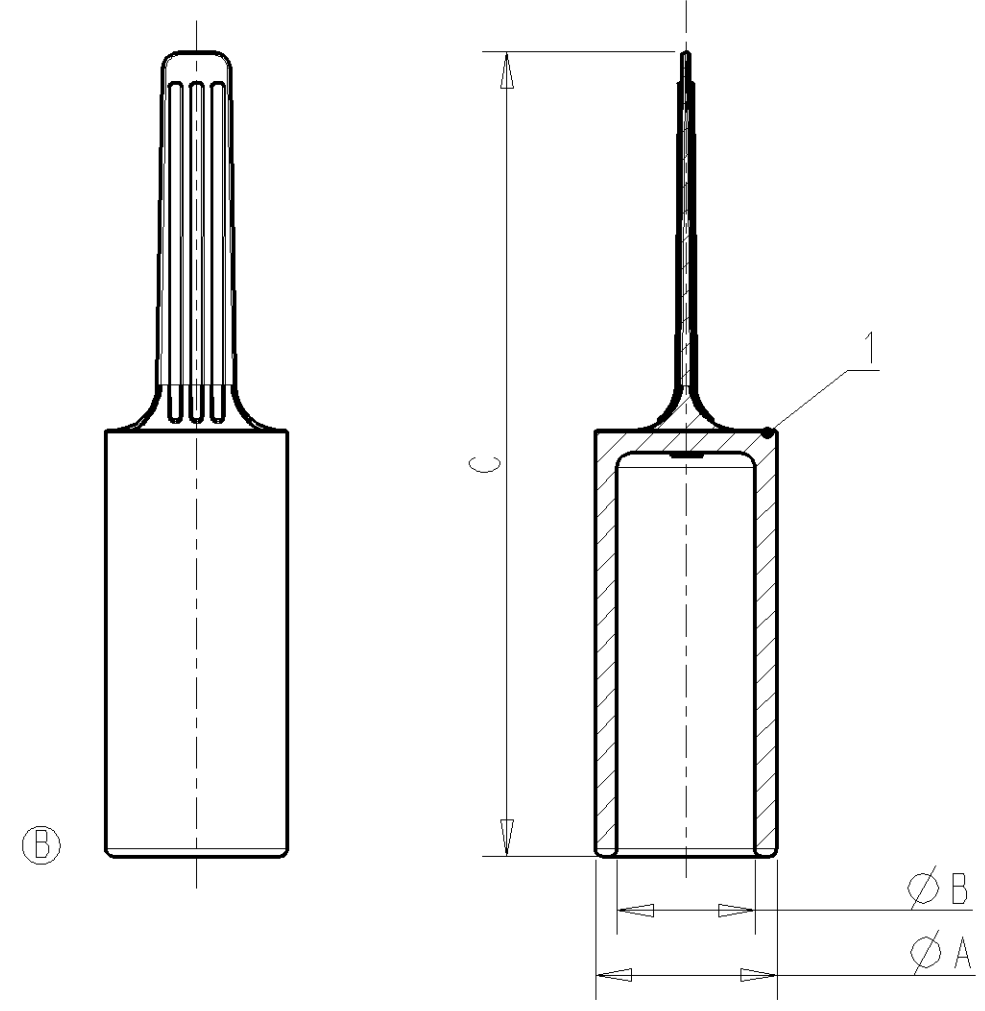


Non e permesso consegnare a terzi o riprodurre questo documento, ne utilizzare il contenuto o renderlo comunque noto a terzi senza autorizzazione esplicita. Ogni infrazione costituirà un evidente abuso e comporterà il risarcimento dei danni subiti. E' fatta riserva di tutti i diritti derivanti da brevetti o modelli.

Copying of this document and giving it to others and the use or communication of the contents thereof, are forbidden without express authority. Contravention of this restriction will constitute an evident abuse and result in a liability to the payment of damages. All rights are reserved in the event of the grant of patent or registration of a utility model or design. This document is the subject of copyright.

Toute communication ou reproduction de ce document, toute exploitation ou communication de son contenu sont interdites, sauf autorisation expresse. Tout manquement a cette regle constitue un abus evident et expose son auteur au versement de dommages et interets. Tous droits de propriete industrielle reserves, notamment en matiere de brevets et de modeles.

Weitergabe sowie Vervielfältigung dieser Unterlage, Verwertung und Mitteilung ihres Inhalts nicht gestattet, soweit nicht ausdrücklich zugestanden. Zuwiderhandlungen stellen einen offensichtlichen Missbrauch dar und verpflichten zu Schadensersatz. Alle Rechte fuer den Fall der Patenterteilung oder Gebrauchsmuster-Eintragung vorbehalten.



WABCO PART NUMBER	A	B	C	WEIGHT[g] THEORETICAL
Tolerance	±0.1		±1	
8990220234	6	(4,1)	44,6	(0,6)
8930220014	8	(6,1)	47	(0,9)
8930220164	12	(9,1)	53,2	(2,2)
8930220174	15	(12,2)	55	(3)
8930220184	16	(12,2)	55	(4)

Cleanliness requirement:

Class: K00 according JED-593

Area: for the whole part (Special agreements possible; to be agreed with Product Engineering)

No	Part	Material
1	BODY	PA

For use application in compressed air systems in commercial vehicles :

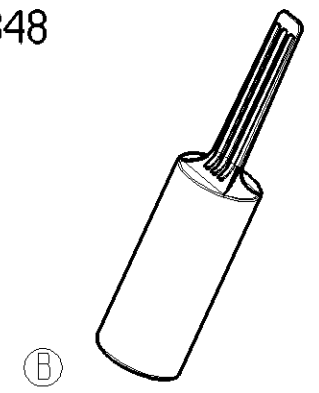
Working pressure : 0-12.5 bar

Working temperature : -40°C ... 100°C

Operation medium compressed air acc. JED-848

General Specification : JED-762 ; JED-622 ; JED-220

Engineering related agreements with Supplier have to be mentioned in the "Release of Supplier"



General Specification: ISO 8015, JED-334-1, Size ISO 14405 LP		Copyright WABCO®		WABCO		
Further Technical Data:		Date	Signature			
Doc. Code: Sheet: To		Drawn		Plug		
General Tolerances JED-261		2021-10-26	Baloga			
Range of nominal dimensions in mm		Checked		Material No.		
Class 1) ≤ 50 > 50 > 180 > 400 > 400		2021-10-27	Szczutkowski			
Fine X ±0.25 ±0.5 ±0.75 ±1		Dimensions in mm		Date of first issue: 2013-09-02		
Medium ±0.5 ±1 ±1.5 ±2 ±3°		Mass	Scale	Doc.Code Language Sheet		
Coarse ±1 ±1.75 ±2.5 ±3.25		- kg	/	053 EN 1/1		
Tapped Holes acc. -		Size	CAD System	Replacement for		
1) Tolerance Class Applied Crossmarked		A 3	CREO	ECN-No.	Revision	Techn. Resp.
				509495	2 X B	5790

893 022 024 4

100mm