

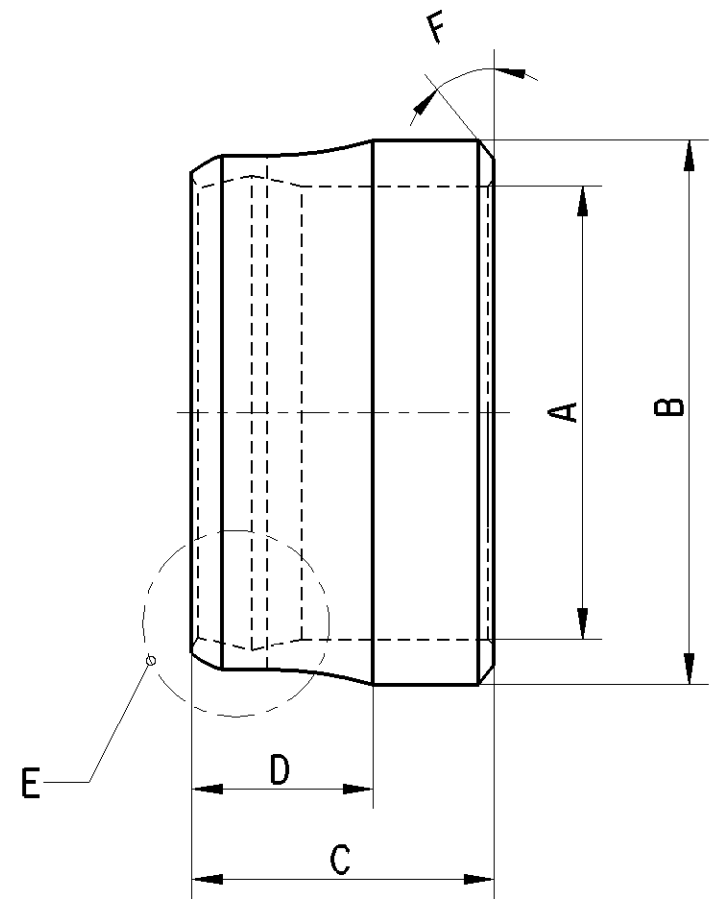
Non e permesso consegnare a terzi o riprodurre questo documento, ne utilizzare il contenuto o renderlo comunque noto a terzi senza autorizzazione esplicita. Ogni infrazione costituira un evidente abuso e comportera il risarcimento dei danni subiti. E' fatto riserva di tutti i diritti derivanti da brevetti o modelli.

Copying of this document and giving it to others and the use or communication of the contents thereof, are forbidden without express authority. Controvention of this restriction will constitute an evident abuse and result in a liability to the payment of damages. All rights are reserved in the event of the grant of patent or registration of a utility model or design. This document is the subject of copyright.

Toute communication ou reproduction de ce document, toute exploitation ou communication de son contenu sont interdites, sauf autorisation expresse. Tout manquement a cette regle constitue un abus evident et expose son auteur au versement de dommages et interets. Tous droits de propriete industrielle reserves, notamment en matiere de brevets et de modesles.

Weitergabe sowie Vervielfaeligung dieser Unterlage, Verwertung und Mitteilung ihres Inhalts nicht gestattet, soweit nicht ausdruendlich zugestanden. Zuwiderhandlungen stellen einen offensichtlichen Misbrauch dar und verpflichten zu Schadensersatz. Alle Rechte fuer den Fall der Patenterteilung oder Gebrauchsmuster-Eintragung vorbehalten.

1	2	3	4	5	6	7	8						
A	B	C	D	E	F	<table border="1"> <tr> <td>⊕</td> <td><1> SAFETY CHARACTERISTICS</td> <td>0</td> </tr> <tr> <td>⊕</td> <td><2> SIGNIFICANT CHARACTERISTICS</td> <td>0</td> </tr> </table>		⊕	<1> SAFETY CHARACTERISTICS	0	⊕	<2> SIGNIFICANT CHARACTERISTICS	0
⊕	<1> SAFETY CHARACTERISTICS	0											
⊕	<2> SIGNIFICANT CHARACTERISTICS	0											
∅10	∅14 ⊕	~10	~6.5	ISO8434-1-CR-L10 DIN3861-L10	45°								



Material : Steel
Surface Protection : gal Zn CrVI free

⊕ General Specification: JED-334-1 , Size ISO 14405 LP		Copyright WABCO®		WABCO Cutting Ring L10	
Further Technical Data:		Date	Signature		
Doc. Code:	Sheet: To	2019-07-02	Bolago		
General Tolerances JED-261		Checked	2019-07-03 Piskadlo		
Range of Nominal Dimensions (± mm)		Expert		Szczulkowski	
Class 1)	≤ 50	> 50 ≤ 180	> 180 ≤ 400	> 400	∠
Fine	0.5	1.0	1.5	2.0	±3°
Medium	1.0	2.0	3.0	4.0	
Coarse	2.0	3.5	5.0	6.5	
Tapped Holes acc. JED-152		Mass	Scale	Material No.	
1) Tolerance Class Applied Crossmarked		0.003 KG	/	893 050 024 4	
		Size	CAD System	Date of first issue: 2008-09-29	
		A 3	CREO	ECN-No.	Revision
				179037	3 x A
				Techn. Resp.	5790
				Replacement for	
				-	

1	2	3	4	5	6	7	8
						100mm	