

Non e permesso consegnare a terzi o riprodurre questo documento, ne utilizzare il contenuto o renderlo comunque noto a terzi senza autorizzazione esplicita. Ogni infrazione costituirà un evidente abuso e comporterà il risarcimento dei danni subiti. E' fatto riserva di tutti i diritti derivanti da brevetti o modelli.

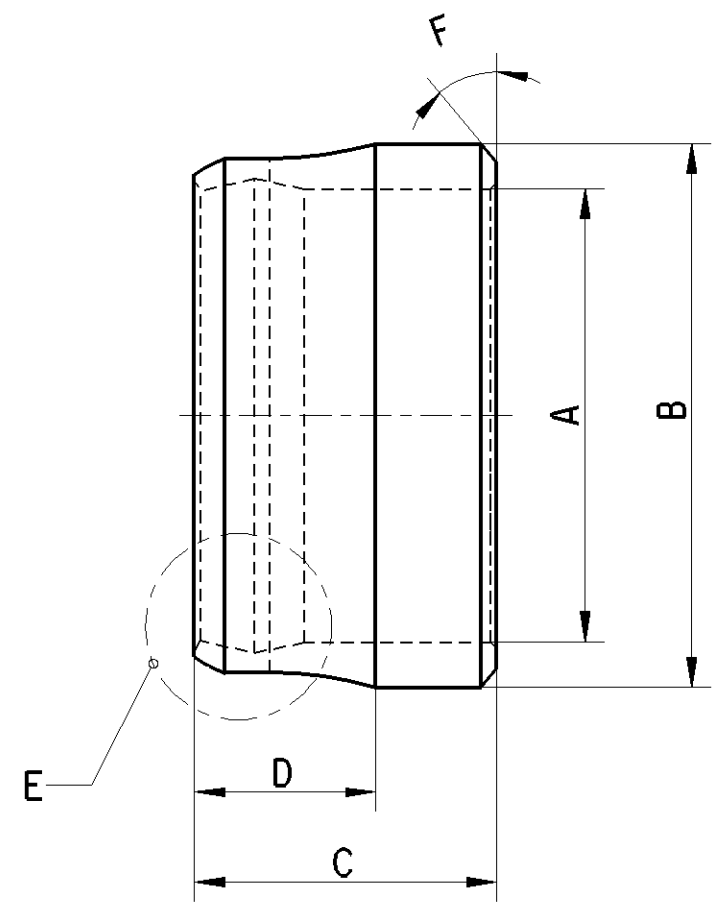
Toute communication ou reproduction de ce document, toute exploitation ou communication de son contenu sont interdites, sauf autorisation expresse. Tout manquement a cette regle constitue un abus evident et expose son auteur au versement de dommages et interets. Tous droits de propriete industrielle reserves, notamment en matiere de brevets et de modesles.

Copying of this document and giving it to others and the use or communication of the contents thereof, are forbidden without express authority. Contrivention of this restriction will constitute an evident abuse and result in a liability to the payment of damages. All rights are reserved in the event of the grant of patent or registration of a utility model or design. This document is the subject of copyright.

Weitergabe sowie Vervielfaeligung dieser Unterlage, Verwertung und Mitteilung ihres Inhalts nicht gestattet, soweit nicht ausdruendlich zugestanden. Zuwiderhandlungen stellen einen offensichtlichlichen Misbrauch dar und verpflichten zu Schadensersatz. Alle Rechte fuer den Fall der Patenterteilung oder Gebrauchsmuster-Eintragung vorbehalten.

1	2	3	4	5	6	7	8
A	B	C	D	E	F		
∅8	∅12 Ⓐ	~9.5	~6	ISO8434-1-CR-L8 DIN3861-L8	45°		

Ⓐ	<1> SAFETY CHARACTERISTICS	0
	<2> SIGNIFICANT CHARACTERISTICS	0



Material : Steel  
Surface Protection : gal Zn CrVI free

Ⓐ General Specification: JED-334-1 , Size ISO 14405 LP		Copyright WABCO®		<b>WABCO</b> Cutting Ring L8			
Further Technical Data:		Date	Signature				
Doc. Code:	Sheet: To	Drawn					
General Tolerances JED-261		2019-07-02	Bolago				
Range of Nominal Dimensions ( ± mm)		Checked		Material No. <b>893 050 054 4</b>			
Class 1)	≤ 50	> 50 ≤ 180	> 180 ≤ 400			> 400	Date of first issue: <b>2008-09-29</b>
Fine	0.5	1.0	1.5			2.0	Doc.Code Language Sheet
Medium	1.0	2.0	3.0	4.0	±3°	005 ML 1/1	
Coarse	2.0	3.5	5.0	6.5			
Tapped Holes acc. JED-152		Mass	Scale	Date of first issue: <b>2008-09-29</b>			
1) Tolerance Class Applied Crossmarked		0.003 KG	/	Doc.Code Language Sheet			
		Size	CAD System	Replacement for			
		A 3	CREO	ECN-No.	Revision Techn. Resp.		
				179037	3 x A 5790		

