

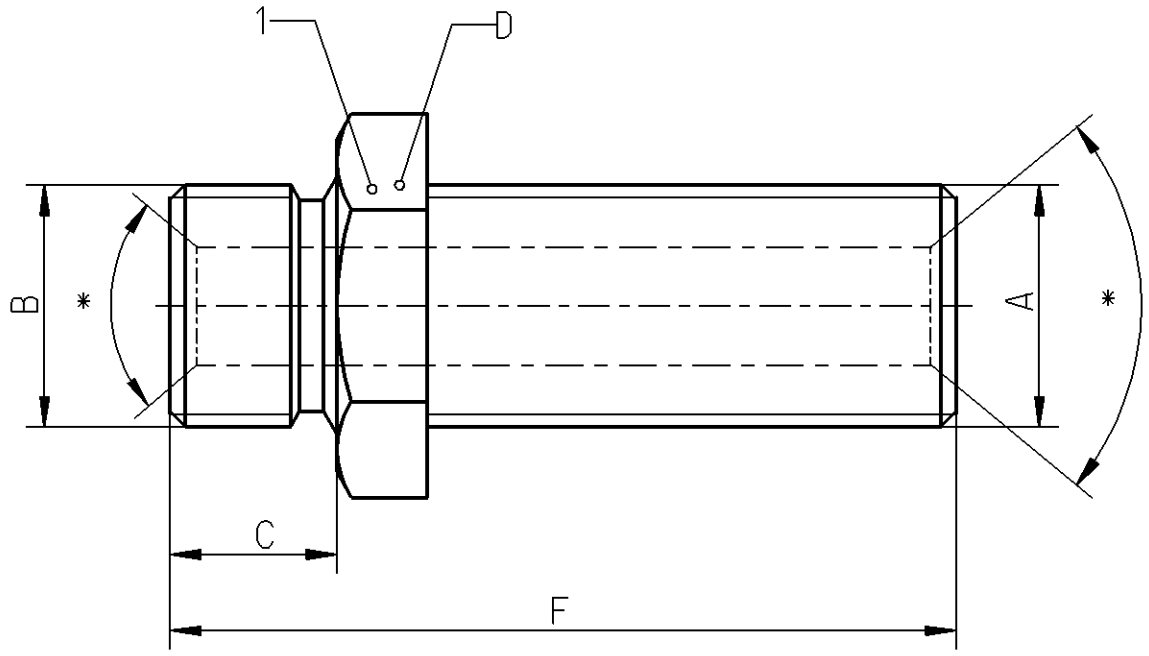
Non e permesso consegnare a terzi o riprodurre questo documento, ne utilizzare il contenuto o renderlo comunque noto a terzi senza autorizzazione esplicita. Ogni infrazione costituisce un evidente abuso e comportera il risarcimento dei danni subiti. E' fatta riserva di tutti i diritti derivanti da brevetti o modelli.

it to others and the use or communication of the contents thereof, are forbidden without express authority. Contravention of this restriction will constitute an evident abuse and result in a liability to the payment of damages. All rights are reserved in the event of the grant of patent or registration of a utility model or design. This document is the subject of copyright.

Toute communication ou reproduction de ce document, toute exploitation ou communication de son contenu sont interdites, sauf autorisation expresse. Tout manquement a cette regle constitue un abus evident et expose son auteur au versement de dommages et interets. Tous droits de propriete industrielle reserves, notamment en matiere de brevets et de modesles.

Veröffentlichung dieser Unterlagen, Verwertung und Mitteilung ihres Inhalts nicht gestattet, soweit nicht ausdrücklich zugestanden. Zuwiderhandlungen stellen einen offensichtlichen Missbrauch dar und Alle Rechte fuer den Fall der Patenterteilung oder Gebrauchsmuster-Eintragung vorbehalten.

1	2	3	4	5	6	7	8		
A	B	C	D	E	F	G	N	O	R
M22x1,5 alternative * DIN3863-U permissible	M16x1,5 alternative * DIN3863-U permissible	~12	Hex.27		~54			ISO8434-1-BHS	



Material : Steel  
Surface Protection : gal Zn CrVI free

First production samples, samples from new or modified moulds or changes of every kind must be approved Engineering Department

Teile der ersten Produktion, Teile aus neuen oder geaenderten Formwerkzeugen oder Aenderungen jeglicher Art beduerfen der Genehmigung durch die Entwicklungsabteilung

Les premieres pieces de production, les pieces provenant de nouveaux moules ou de moules modifies, ou toutes autres modification, doivent etre approuvees par le departement des etudes

Campioni di inizio produzione, campioni ottenuti con stampi nuovi o modificati o con qualsiasi genere di modfica devono essere approvati dall'ufficio tecnico.

DCN-No.	Rev.	Date
State of Revision		

General Specification: JED-334-0		Copyright WABCO®			
Further Technical Data: 893 000 003 0		Date	Signature		
Doc. Code: 035	Sheet: To	Drawn	Guemues		
General Tolerances JED-261		Checked	Maertin		
Range of Nominal Dimensions ( ± mm)		Expert	Thiele		
Class 1)	≤ 50	> 50 ≤ 180	> 180 ≤ 400	> 400	±3°
Fine	0.5	1.0	1.5	2.0	
Medium	1.0	2.0	3.0	4.0	
Coarse	2.0	3.5	5.0	6.5	
Tapped Holes acc.		Mass	Scale	Material No.	
1) Tolerance Class Applied Crossmarked		0,105 KG	/	893 103 900 4	
		Size	TRI	WABCO Id. No.: 8931039004	
		A 3	002	Doc.Code	Language
				005	ML
				Sheet	1/1
				Function Code	CAD System
				Pro/E	0 1 X
				Prod.Type	Replacement for

**WABCO**

Fitting  
Verschraubung - BHS  
Raccordo  
Raccordo

WABCO Id. No.: 8931039004

Doc.Code: 005 Language: ML Sheet: 1/1

Function Code: Pro/E CAD System: 0 1 X Prod.Type: Replacement for

A B C D E F

dw: 8931039004...005 / Verbm: 0 / state: / mli: 8939000344...A01