

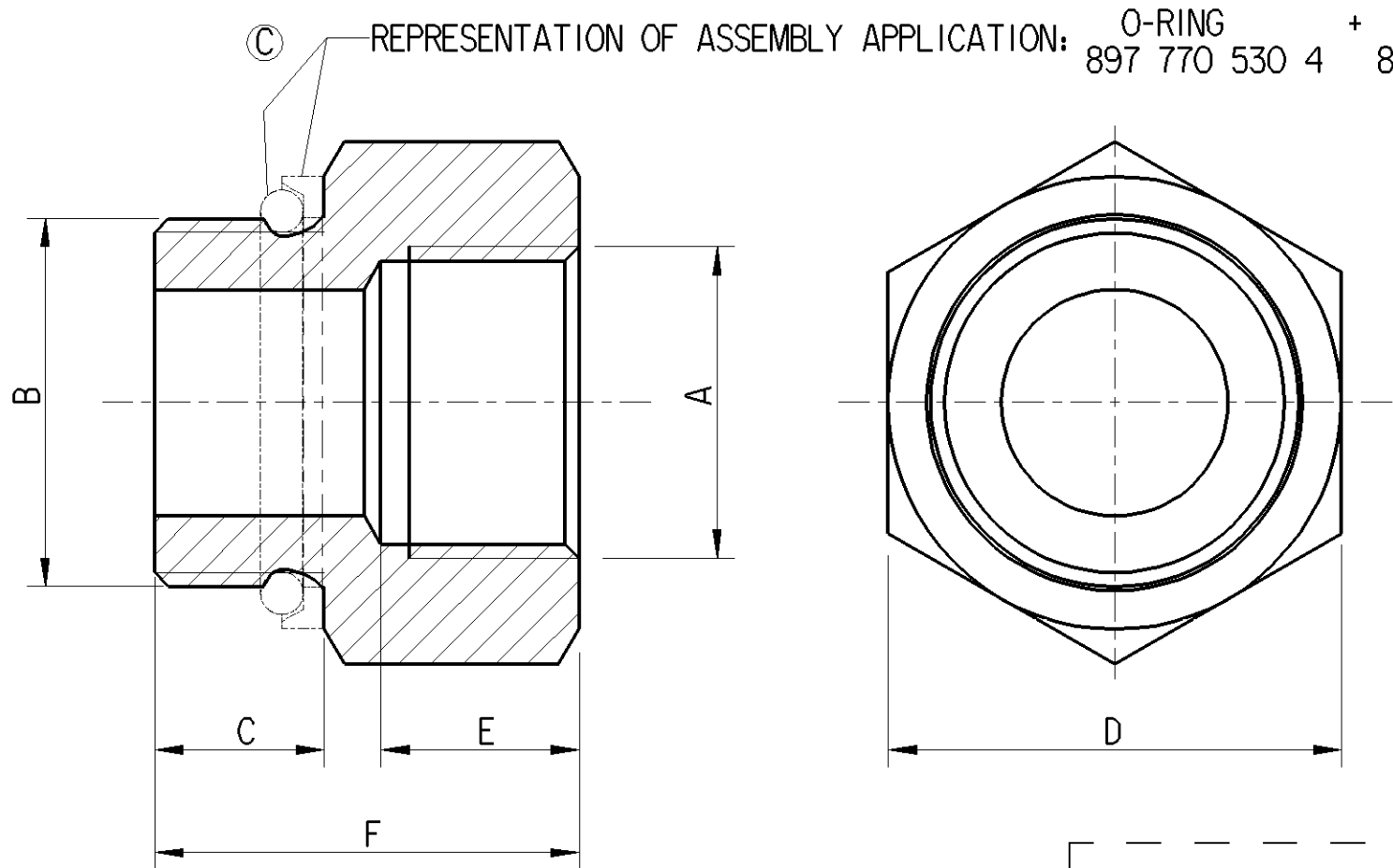
Non e permesso consegnare a terzi o riprodurre questo documento, ne utilizzare il contenuto o renderlo comunque noto a terzi senza autorizzazione esplicita. Ogni infrazione costituira un evidente abuso e comportera il risarcimento dei danni subiti. E' fatta riserva di tutti i diritti derivanti da brevetti o modelli.

Copying of this document and giving it to others and the use or communication of the contents thereof, are forbidden without express authority. Contravention of this restriction will constitute an evident abuse and result in a liability to the payment of damages. All rights are reserved in the event of the grant of patent or registration of a utility model or design. This document is the subject of copyright.

Toute communication ou reproduction de ce document, toute exploitation ou communication de son contenu sont interdites, sauf autorisation expresse. Tout manquement a cette regle constitue un abus evident et expose son auteur au versement de dommages et interets. Tous droits de proprieete industrielle reserves, notamment en matiere de brevets et de modesles.

Weitergabe sowie Vervielfaeltigung dieser Unterlage, Verwertung und Mitteilung ihres Inhalts nicht gestattet, soweit nicht ausdruecklich zugestanden. Zuwiderhandlungen stellen einen offensichtlichlichen Missbrauch dar und verpflichten zu Schadensersatz. Alle Rechte fuer den Fall der Patenterteilung oder Gebrauchsmuster-Eintragung vorbehalten.

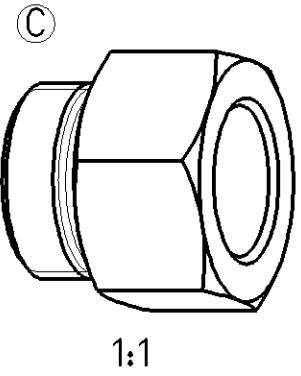
1	2	3	4	5	6	7	8
A	B	C	D	E	F	G	N
M22x1,5	M26x1,5 Ø16	~12	Hex.32	~14 <sup>+2</sup> <sub>-0.2</sub> C	~30		ISO8434-1
							R



REPRESENTATION OF ASSEMBLY APPLICATION: O-RING + WASHER  
897 770 530 4 + 893 030 090 4

- C GENERAL SPECIFICATION: JED-762 ; JED-622 ; JED-271
- MATERIAL: STEEL
- SURFACE PROTECTION: gal Zn CrVI free
- RECOMMENDED ASSEMBLY TORQUE:
- C M22x1.5 34~40 Nm
- C M26x1.5 43~50 Nm
- C ENGINEERING RELATED AGREEMENTS WITH SUPPLIER HAVE TO BE MENTIONED IN THE "RELEASE OF SUPPLIER"
- C THE PERMITTED TEMPERATURE AND PRESSURE RANGE HAVE TO CONSIDER THE SPECIFIC ADAPTER APPLICATION

- C FOR USE IN APPLICATION IN COMPRESSED AIR SYSTEMS IN COMMERCIAL VEHICLES
- C FOR CLEANLINESS:  
NO PARTICLES > 1mm ALLOWED ACCORDING MANDATORY STANDARD: JED-334 AND JED-593



1:1

General Specification: JED-334-1, Size ISO 14405 LP		Copyright WABCO®		<b>WABCO</b>	
Further Technical Data:		Date	Signature		
Doc. Code:	Sheet:	To	Drawn	2015-05-21	Oliveira
General Tolerances JED-261		Checked		Reducing Adapter M26xM22	
Range of Nominal Dimensions ( ± mm)		Expert		2015-05-21 Kaufmann	
Class	1)	≤ 50	> 50 ≤ 180	> 180 ≤ 400	> 400
Fine	X	0.5	1.0	1.5	2.0
Medium		1.0	2.0	3.0	4.0
Coarse		2.0	3.5	5.0	6.5
Tapped Holes acc. -		Kaufmann		Date of first issue: 2009-04-06	
1) Tolerance Class Applied Crossmarked		Mass	Scale	Material No.	
		0.112 KG	2:1 (1:1)	893 180 880 4	
		Size	CAD System	Doc.Code	Language
		A 3	CREO	005	EN
		ECN-No.		Revision	Techn. Resp.
		167518		10x C	5790
		Replacement for		Sheet	
				1/1	

100mm

draw: 8931808804...005 / Version: --2 / state: Approved / mdt: 8931806044...A01