

Non e permesso consegnare a terzi o riprodurre questo documento, ne utilizzare il contenuto o renderlo comunque noto a terzi senza autorizzazione esplicita. Ogni infrazione costituira un evidente abuso e comportera il risarcimento dei danni subiti. E' fatta riserva di tutti i diritti derivanti da brevetti o modelli.

Copying of this document and giving it to others and the use or communication of the contents thereof, are forbidden without express authority. Contravention of this restriction will constitute an evident abuse and result in a liability to the payment of damages. All rights are reserved in the event of the grant of patent or registration of a utility model or design. This document is the subject of copyright.

Toute communication ou reproduction de ce document, toute exploitation ou communication de son contenu sont interdites, sauf autorisation expresse. Tout manquement a cette regle constitue un abus evident et expose son auteur au versement de dommages et interets. Tous droits de proprieete industrielle reserves, notamment en matiere de brevets et de modesles.

Weitergabe sowie Vervielfaeltigung dieser Unterlagen, Verwertung und Mitteilung ihres Inhalts nicht gestattet, soweit nicht ausdruecklich zugestanden. Zuwiderhandlungen stellen einen offensichtlichlichen Missbrauch dar und verpflichten zu Schadensersatz. Alle Rechte fuer den Fall der Patenterteilung oder Gebrauchsmuster-Eintragung vorbehalten.

1	2	3	4	5	6	7	8
A	B	C	D	E	F	G	H
M22x1,5 *	M16x1,5	9	10	15	HEX. 28	with O-ring	OUTER THREAD: MAX. 40 Nm INNER THREAD: MAX. 35 Nm **

\* SHALL BE DIRECTLY TIGHTENED INTO THE THREAD ACC. TO DIN 3852; ISO 6149; ISO 4039-2 AND VOSS PORT GEOMERTY

\*\* RECOMMENDED MAX. TORQUE WITHOUT LUBRICATION RESPECT MAX. TORQUE OF THE COUNTER PART

CLEANLINESS REQUIREMENT:  
CLASS: KOO ACCORDING TO JED-593

AREA: FOR THE WHOLE PART,  
SPECIAL AGREEMENTS POSSIBLE, TO BE AGREED WITH PRODUCT ENGINEERING

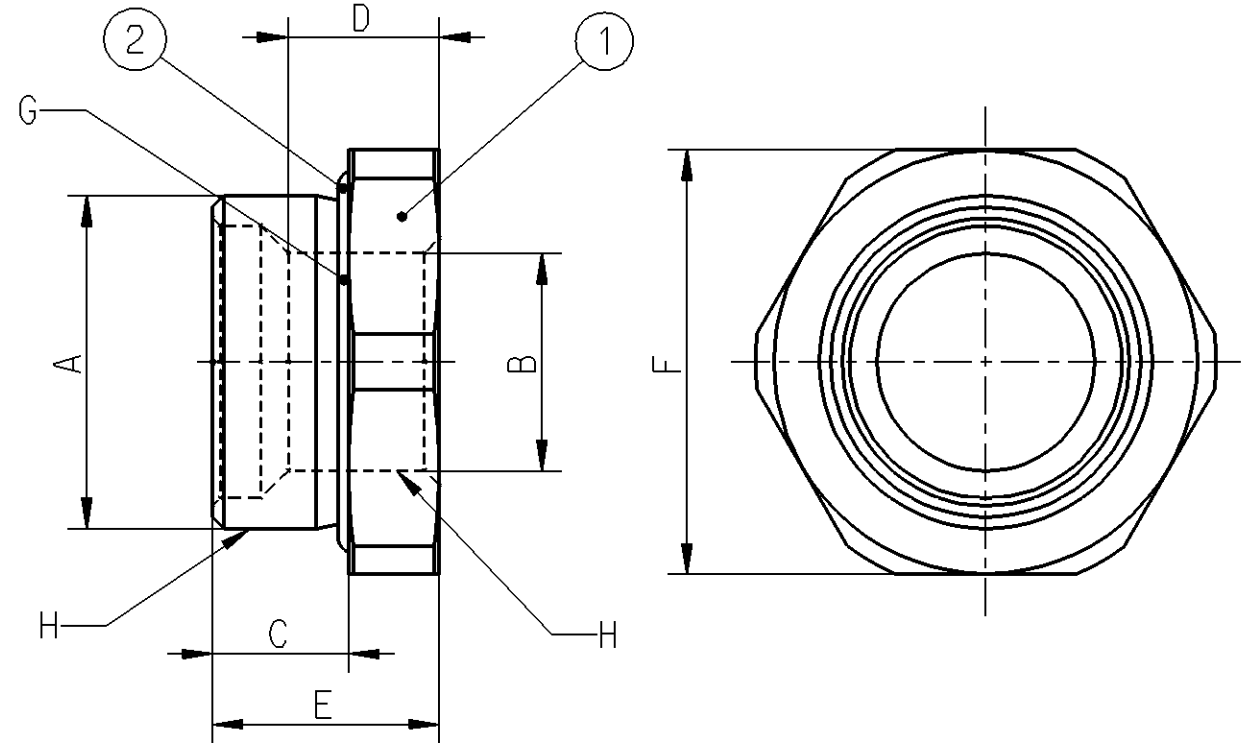
MATERIAL:

- ① CuZn
- ② EPDM

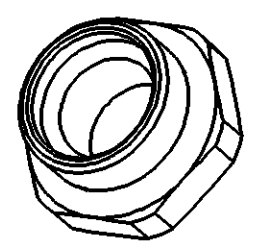
ENGINEERING RELATED AGREEMENTS WITH SUPPLIER  
HAVE TO BE MENTIONED IN THE "RELEASE OF SUPPLIER", DOC CODE 050

FOR USE IN APPLICATION IN COMPRESSED AIR SYSTEMS IN COMMERCIAL VEHICLES:  
- WITH COMPRESSED AIR ACC. TO JED-848

- AT WORKING PRESSURE CONDITIONS (CONSIDER TUBE SPECIFICATION) :
  - -40 °C ... 100 °C (STORAGE 140 °C MAX. 2h)
  - MAX. 1250kPa



GENERAL SPECIFICATION: JED-762; JED-622; JED-271; JED-220



General Specification: JED-334-0 , Size ISO 14405-1 E				Copyright WABCO®		<b>WABCO</b>																																				
Further Technical Data:				Date	Signature																																					
Doc. Code:		Sheet:		To		Adapter																																				
General Tolerances JED-261				Drawn					2013-11-15		Nerling																															
<table border="1"> <thead> <tr> <th rowspan="2">Class</th> <th rowspan="2">1)</th> <th colspan="4">Range of Nominal Dimensions ( ± mm)</th> <th rowspan="2">±3°</th> </tr> <tr> <th>≤ 50</th> <th>&gt; 50 ≤ 180</th> <th>&gt; 180 ≤ 400</th> <th>&gt; 400</th> </tr> </thead> <tbody> <tr> <td>Fine</td> <td>X</td> <td>0.5</td> <td>1.0</td> <td>1.5</td> <td>2.0</td> <td rowspan="3">±3°</td> </tr> <tr> <td>Medium</td> <td></td> <td>1.0</td> <td>2.0</td> <td>3.0</td> <td>4.0</td> </tr> <tr> <td>Coarse</td> <td></td> <td>2.0</td> <td>3.5</td> <td>5.0</td> <td>6.5</td> </tr> </tbody> </table>				Class	1)				Range of Nominal Dimensions ( ± mm)				±3°	≤ 50	> 50 ≤ 180	> 180 ≤ 400	> 400	Fine	X	0.5	1.0	1.5	2.0	±3°	Medium		1.0	2.0	3.0	4.0	Coarse		2.0	3.5	5.0	6.5	Checked		2013-11-15		Kaufmann	
									Class	1)	Range of Nominal Dimensions ( ± mm)				±3°																											
≤ 50	> 50 ≤ 180	> 180 ≤ 400	> 400																																							
Fine	X	0.5	1.0	1.5	2.0	±3°																																				
Medium		1.0	2.0	3.0	4.0																																					
Coarse		2.0	3.5	5.0	6.5																																					
Tapped Holes acc. -				Expert		Kaufmann		Material No.																																		
1) Tolerance Class Applied Crossmarked				Mass		Scale		Date of first issue: 2013-11-15																																		
				0.034 KG		2:1 1:1		893 209 062 2																																		
				Size		CAD System		Doc.Code Language Sheet																																		
				A 3		Pro/E		005 EN 1/1																																		
				ECN-No.		Revision		Techn. Resp.																																		
				-		-		5790																																		
				Replacement for																																						