

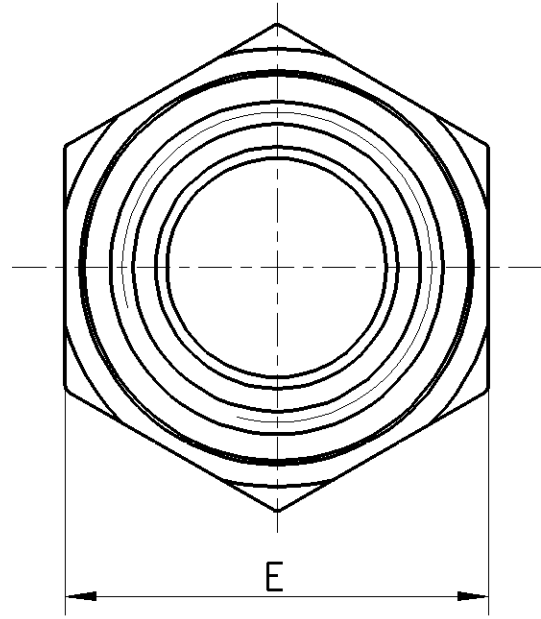
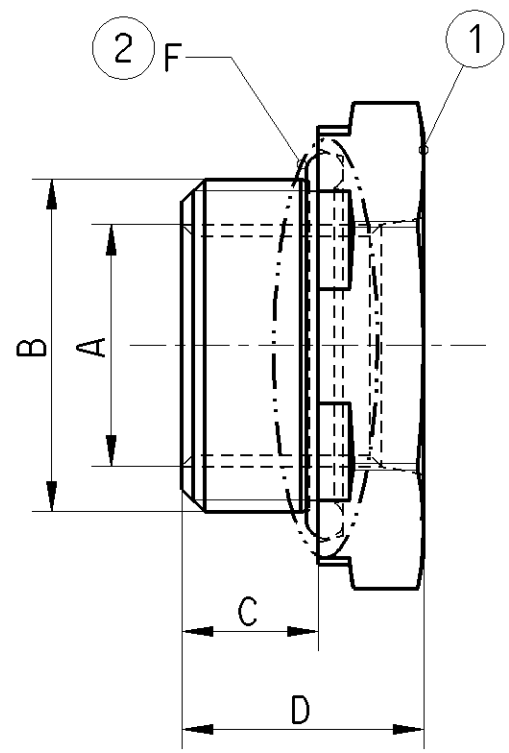
Non e permesso consegnare a terzi o riprodurre questo documento, ne utilizzare il contenuto o renderlo comunque noto a terzi senza autorizzazione esplicita. Ogni infrazione costituira un evidente abuso e comportera il risarcimento dei danni subiti. E' fatta riserva di tutti i diritti derivanti da brevetti o modelli.

Toute communication ou reproduction de ce document, toute exploitation ou communication de son contenu sont interdites, sauf autorisation expresse. Tout manquement a cette regle constitue un abus evident et expose son auteur au versement de dommages et interets. Tous droits de propriete industrielle reserves, notamment en matiere de brevets et de modesles.

Copying of this document and giving it to others and the use or communication of the contents thereof, are forbidden without express authority. Contravention of this restriction will constitute an evident abuse and result in a liability to the payment of damages. All rights are reserved in the event of the grant of patent or registration of a utility model or design. This document is the subject of copyright.

Weitergabe sowie Vervielfaeligung dieser Unterlage, Verwertung und Mitteilung ihres Inhalts nicht gestattet, soweit nicht ausdru cklich zugestanden. Zuwiderhandlungen stellen einen offensichtlichen Missbrauch dar und verpflichten zu Schadensersatz. Alle Rechte fuer den Fall der Patenterteilung oder Gebrauchsmuster-Eintragung vorbehalten.

1	2	3	4	5	6	7	8
A	B	C	D	E	F		
M16x1.5 tightening torque: 30 Nm (35 Nm)	M22x1.5 tightening torque: 34 Nm (40 Nm)	9	16	Hex.28	with o-ring		



Cleanliness requirement:

No particles >1mm allowed acc. to mandatory standard:
JED-334 and JED-593

Area: for the whole part (Special agreements possible;
to be agreed with Product Engineering)

Material:

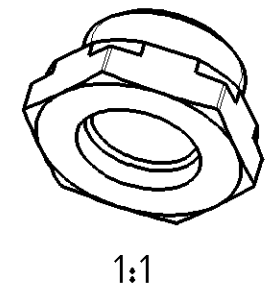
- ① CuZn
- ② EPDM

General Specification : JED-762 ; JED-622 ; JED-271 ; JED-220

Engineering related agreements with Supplier have to be mentioned in the "Release of Supplier"

For use in application in compressed air systems in commercial vehicles :

- with compressed air acc. JED-848
- at working conditions:
 - -40 °C ... 100 °C
 - max. 13 bar



General Specification: JED-334-O , Size ISO 14405-1 E		Copyright WABCO®		WABCO	
Further Technical Data: 893 000 001 O, doc code O35		Date	Signature		
Doc. Code:	Sheet:	Drawn		Transition piece	
	To	2015-08-05	Szczulkowski		
General Tolerances		Checked			
Range of Nominal Dimensions (± mm)		Expert			
Class	1)	≤ 50	> 50 ≤ 180	> 180 ≤ 400	> 400
Fine	X	0.5	1.0	1.5	2.0
Medium		1.0	2.0	3.0	4.0
Coarse		2.0	3.5	5.0	6.5
Tapped Holes acc. -		Kaufmann			
1) Tolerance Class Applied Crossmarked		Mass	Scale	Material No.	
		0.044 KG	2:1 (1:1)	893 209 069 4	
		Size	CAD System	Date of first issue: 2015-10-07	
		A 3	Pro/E	Doc.Code	Language
		ECN-No.		Revision	Techn. Resp.
		-		-	5790
		Replacement for		005	EN 1/1

100mm

893209069_005 / Version: A.2 / state: Under Review / part: 8932090694_001