

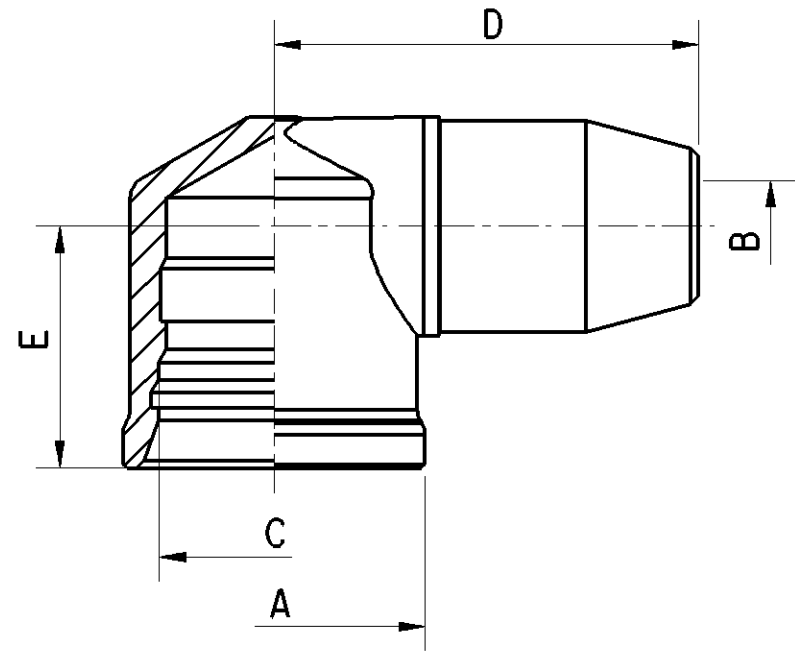
Non e permesso consegnare a terzi o riprodurre questo documento, ne utilizzare il contenuto o renderlo comunque noto a terzi senza autorizzazione esplicita. Ogni infrazione costituirà un evidente abuso e comporterà il risarcimento dei danni subiti. E' fatto riserva di tutti i diritti derivanti da brevetti o modelli.

Copying of this document and giving it to others and the use or communication of the contents thereof, are forbidden without express authority. Controvention of this restriction will constitute an evident abuse and result in a liability to the payment of damages. All rights are reserved in the event of the grant of patent or registration of a utility model or design. This document is the subject of copyright.

Toute Communication ou reproduction de ce document, toute exploitation ou communication de son contenu sont interdites, sauf autorisation expresse. Tout manquement a cette regle constitue un abus evident et expose son auteur au versement de dommages et interets. Tous droits de propriete industrielle reserves, notamment en matiere de brevets et de modesles.

Weitergabe sowie Vervielfaeligung dieser Unterlage, Verwertung und Mitteilung ihres Inhalts nicht gestattet, soweit nicht ausdruendlich zugestanden. Zuwiderhandlungen stellen einen offensichtlichlichen Misbrauch dar und verpflichten zu Schadenersatz. Alle Rechte fuer den Fall der Patenterteilung oder Gebrauchsmuster-Eintragung vorbehalten.

Part number	Part name	A	B TUBE SIZE	C P5 PLUG-IN	D	E	WEIGHT [g] THEORETICAL
Tolerance:		±0,3		±0,04	Min.	+0,5	-
893 401 002 0	Push in coupling	20	10x1.5	15.2	32.6	19	(65)
893 831 183 0	Elbow Fitting	20	16x2	15.2	36	20.5	(106)



**CLEANLINESS REQUIREMENT:**

NO PARTICLES >1MM ALLOWED ACC. TO MANDATORY STANDARD JED-334 AND JED-593

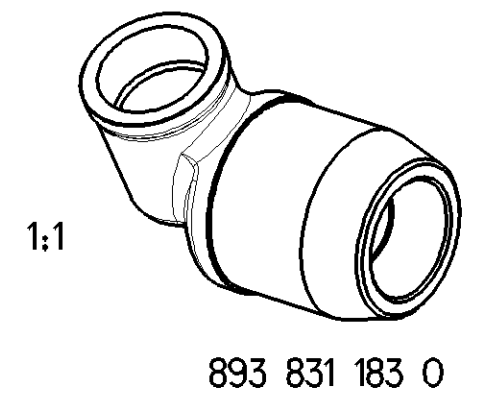
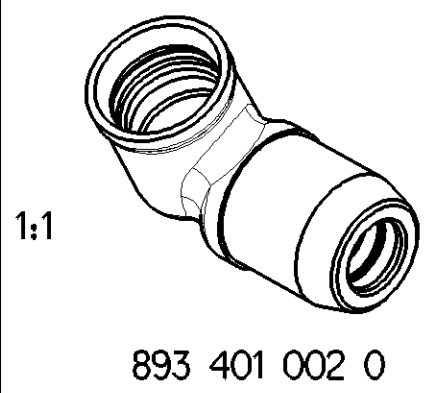
AREA: FOR THE WHOLE PART (SPECIAL AGREEMENTS POSSIBLE, TO BE AGREED WITH PRODUCT ENGINEERING)

GENERAL SPECIFICATION : JED-762 ; JED-622 ; JED-220

ENGINEERING RELATED AGREEMENTS WITH SUPPLIER HAVE TO BE MENTIONED IN THE "RELEASE OF SUPPLIER"

FOR USE IN APPLICATION IN COMPRESSED AIR SYSTEMS IN COMMERCIAL VEHICLES :

- WITH COMPRESSED AIR ACC. JED-848



**MATERIAL OF FITTING:** CuZn  
**MATERIAL OF SEALS:** EPDM  
**WORKING TEMPERATURE:** -40 C/+100 C  
**WORKING PRESSURE:** MAX. 12.5 bar

General Specification: JED-334-1 , Size ISO 14405 LP		Copyright WABCO®		<b>WABCO</b> PUSH IN COUPLING	
Further Technical Data:		Date	Signature		
Doc. Code:	Sheet: To	2018-02-22	Bulaj		
General Tolerances JED-261		Checked	2018-02-23 Szczulkowski		
Range of Nominal Dimensions ( ± mm)		Expert		Material No.	
Class 1)	≤ 50	> 50 ≤ 180	> 180 ≤ 400	> 400	±3°
Fine	X	0.5	1.0	1.5	2.0
Medium		1.0	2.0	3.0	4.0
Coarse		2.0	3.5	5.0	6.5
Tapped Holes acc.		Mass	Scale	Date of first issue: 2018-02-23	
1) Tolerance Class Applied Crossmarked		see table	2:1	893 400 002 0	
		KG	1:1	Doc.Code	Language
		Size	CAD System	053	EN
		A 3	CREO	Revision	1/1
		ECN-No.		Techn. Resp.	Replacement for
		-		5790	

