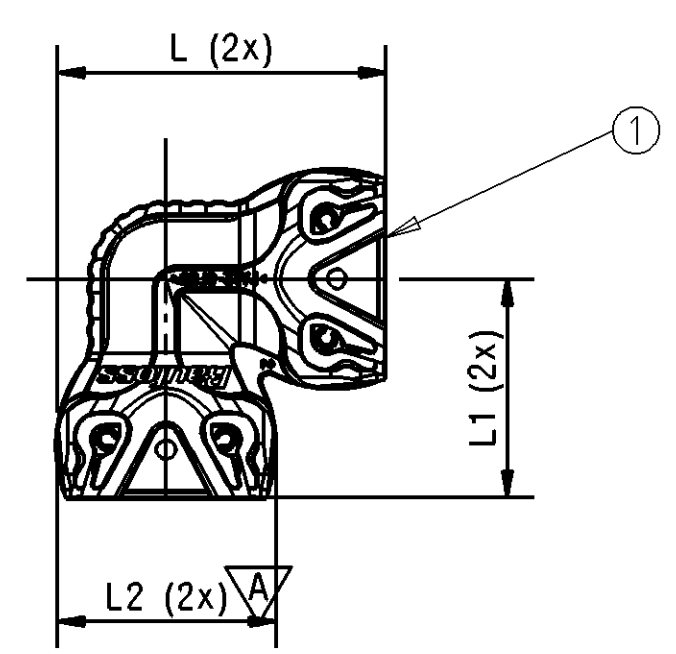
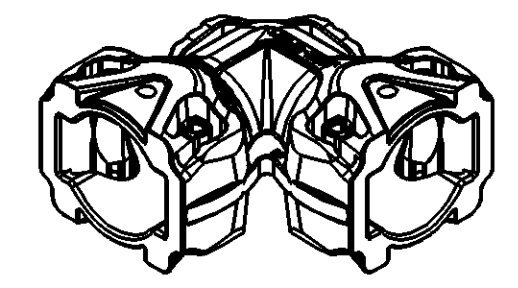


Non è permesso consegnare o terzi o riprodurre questo documento, né utilizzare il contenuto o renderlo comunque noto a terzi senza permesso scritto dalla WABCO. È vietata espressamente la ristampa, la traduzione, la riproduzione, la distribuzione o l'uso non autorizzato di questo documento. Toute communication ou reproduction de ce document, toute exploitation ou communication de son contenu sont interdites, sauf autorisation expresse. Tout manquement à cette règle constitue un abus, éventuellement punissable, et sera considéré comme un acte de contrefaçon. Toute utilisation non autorisée de ce document est formellement interdite. Weitergabe sowie Vervielfältigung dieses Unterlagen, Verwertung und Mitteilung ihres Inhalts nicht gestattet, soweit nicht ausdrücklich zugestimmt. Zuwiderhandlungen stellen einen strafrechtlichen Missbrauch dar und verpflichten zu Schadensersatz. Alle Rechte für den Fall der Patentierung oder Gebrauchsmuster-Eintragung vorbehalten.

RA DAK/CAD UG	Symb.	Rute/Sgr.	Forandring/Revision	Em.nr./ECO.no.	Data/Date/Sign.	Gkj./App.
	A		Dimension L2 added	3201792	2011-01-17/EvMo	GeLi



WABCO PART NUMBER	RAUFOSS CODE	SIZE	L	L1	L2	WEIGHT [g]
Tolerance:			± 0,75			
8934008644	92050090	Regular	43,7	(29,1)	(29,2)	15
8934008654	92060090	Heavy Duty	51,2	(35)	(34,2)	25,3



Cleanliness requirement:
 Class: K00 according JED-593
 Area: for the whole part (Special agreements possible; to be agreed with Product Engineering)

No	Part	Material
1	BODY	PA

WORKING TEMPERATURE: -40°C/+100°C
 WORKING PRESSURE: 0 - 12,5 bar
 OPERATING MEDIUM: COMPRESSED AIR

Stk.nr./Pos.no.	Gjenstand/Object/Dim.	Anl./No. pr.sett	Matr.	Dim./Vekt av emne/Material weight	Norm nr./no.	Anmerking/Note
Tgn./Drw.	EvMo 2010-11-23	Proj.	Gen. ruhet/roughness	Gen. toler.	Målestokk/Scale	Ref. tegn./Ref. drawing
Ktrl./Ctrl.	JMD 2010-11-23	Erstatning/Replacement for:		Erstattet av/Replaced by:		
Klr./Clr.	Gekr 2010-11-23	 Raufoss 001-1434-A Arkiv nr./File no. Sign.				
Gkj./App.						
RAUFOSS ABC 90° Elbow Design record						

Suitable for use in air brake systems for commercial vehicles
 General Specification : JED-762 ; JED-622 ; JED-271 ; JED-220
 Engineering related agreements with Supplier have to be mentioned in the "Release of Supplier"

General Specification: JED-334-0 , Size ISO 14405-1 E		Copyright WABCO®		WABCO	
Further Technical Data: 893 000 001 0		Date	Signature		
Doc. Code: 035	Sheet: To	2013-08-28	Saravanan	Elbow	
General Tolerances JED-261		Checked		2013-09-12 Kaufmann	
Range of Nominal Dimensions (± mm)		Expert		Kaufmann	
Class 1)	≤ 50	> 50 ≤ 180	> 180 ≤ 400	> 400	±3°
Fine	X	0.5	1.0	1.5	2.0
Medium		1.0	2.0	3.0	4.0
Coarse		2.0	3.5	5.0	6.5
Tapped Holes acc. -		Mtrss		Scale	
1) Tolerance Class Applied Crossmarked		A 2		Pro/E	
		Material No.		Date of first issue:	
		893 400 869 4		Doc.Code Language Sheet	
		053 EN 1/1		ECN-No. Revision Techn. Resp. Replacement for	
		-		-	

Raufoss ABC couplings can be used with polyamide (PA 6.10, PA 10.10, PA 10.12, PA 11, PA 12) or Hytrel tubing to one of the following standards:

- ISO 7628
- DIN 74324
- DIN 73378
- SAE J844

Peak-temperature up to +130 °C (pressure less, for a period of approximately 2 hours.)

Please take into consideration the max allowed tube operation pressure.

Raufoss ABC couplings from Kongsberg Automotive is approved and certified by: TÜV Nord

For any further specific requirements, applications of our product or support for technical solutions, please ask for individual consultation from Kongsberg Automotive, our subsidiary Kongsberg Raufoss Distribution SAS.

100mm