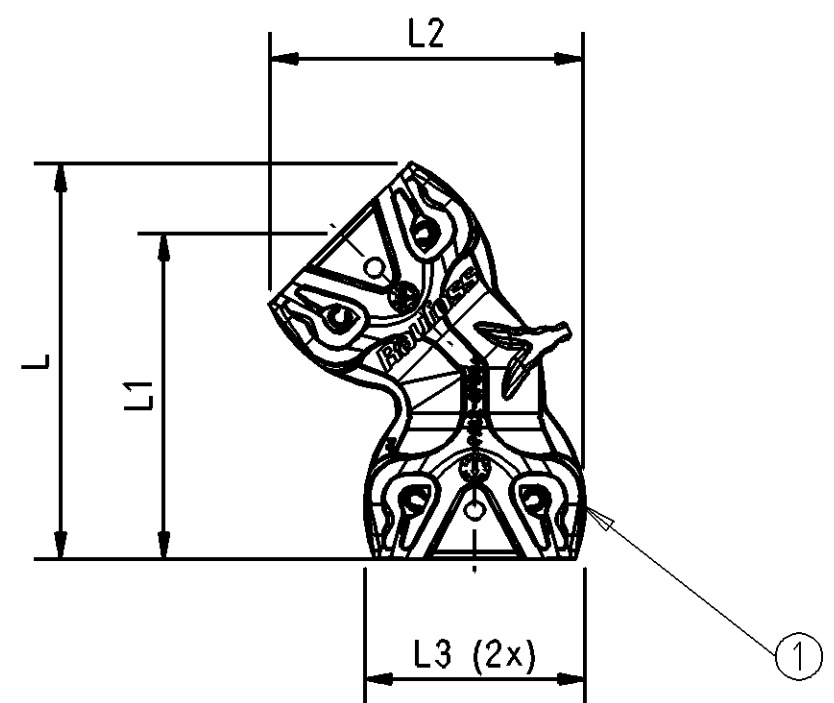
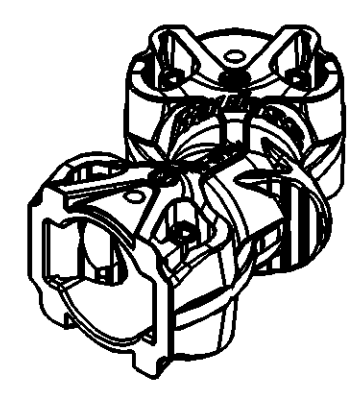


RA DAR/CAD UD	Symb.	Rute/Sgr.	Forandring/Revision	Em.nr./ECO.no.	Date/Date/Sign.	Gkj./App.
	B		Art.no. 92040045 added	3201938	2012-05-10/EvMo	GeKr



WABCO PART NUMBER	RAUFOSS CODE	SIZE	L	L1	L2	L3	WEIGHT[g]
			Tolerance: ± 0,75				
8934008614	92040045	Small	45	(37)	(35,8)	(25)	8
8934008624	92050045	Regular	52,4	(43,2)	(41,8)	(29,2)	13
8934008634	92060045	Heavy Duty	61,5	(50,6)	(49)	(34,2)	21



**WORKING TEMPERATURE:** -40°C/+100°C  
**WORKING PRESSURE:** 0 - 12,5 bar  
**OPERATING MEDIUM:** COMPRESSED AIR

Stk.nr./Pos.no.		Gjenstand/Object/Dim.		Ant./No pr.sett	Matr.	Dim./Vekt av emne/ Material weight	Norm nr./no.	Amerkning/Note
Tgn./Drw.	EvMo	2010-12-06	Proj.	Gen. ruhet/ roughness	Gen. toler.	Målestokk/ Scale	Ref. tegn./Ref. drawing	
Ktrl./Ctrl.	JMD	2010-12-06	Erstating/Replacement for:	Erstattet av/Replaced by:		 <b>Raufoss</b> 001-1437-B Arkiv nr./File no. Sign.		
Kfr./Cfr.								
Gkj./App.	GeKr	2010-12-06	<b>RAUFOSS ABC</b> 45° Elbow Design record - General					

Cleanliness requirement:  
 Class: K00 according JED-593  
 Area: for the whole part (Special agreements possible; to be agreed with Product Engineering)

No	Part	Material
I	BODY	PA

Suitable for use in air brake systems for commercial vehicles  
 General Specification : JED-762 ; JED-622 ; JED-271 ; JED-220  
 Engineering related agreements with Supplier have to be mentioned in the "Release of Supplier"

Raufoss ABC couplings can be used with polyamide (PA 6.10, PA 10.10, PA 10.12, PA 11, PA 12) or Hytrel tubing to one of the following standards:  
 - ISO 7628  
 - DIN 74324  
 - DIN 73378  
 - SAE J844

Peak-temperature up to +130°C (pressure less, for a period of approximately 2 hours.)

Please take into consideration the max allowed tube operation pressure.

Raufoss ABC couplings from Kongsberg Automotive is approved and certified by: TÜV Nord

For any further specific requirements, applications of our product or support for technical solutions, please ask for individual consultation from Kongsberg Automotive, our subsidiary Kongsberg Raufoss Distribution SAS.

General Specification: JED-334-0 , Size ISO 14405-1 E		Copyright WABCO®		<b>WABCO</b>	
Further Technical Data: 893 000 001 0		Date	Signature		
Doc. Code: 035	Sheet: To	2013-08-28	Saravanan	Elbow	
General Tolerances JED-261		Checked		2013-09-10 Kaufmann	
Range of Nominal Dimensions ( ± mm)		Expert		Kaufmann	
Class 1)	≤ 50	> 50 ≤ 180	> 180 ≤ 400	> 400	±3°
Fine	X 0.5	1.0	1.5	2.0	Material No. <b>893 400 871 4</b>
Medium	1.0	2.0	3.0	4.0	
Coarse	2.0	3.5	5.0	6.5	
Tapped Holes acc. -		Mtss	Scale	Date of first issue:	
1) Tolerance Class Applied Crossmarked		A 2	Pro/E	053	EN
		ECN-No.	Revision	Techn. Resp.	Sheet
		-	-	5790	1/1

Non è permesso consegnare o terzi o riprodurre questo documento, né utilizzare il contenuto o renderlo comunque noto a terzi senza permesso scritto dalla WABCO. È vietata espressamente la ristampa o l'uso non autorizzato. E' vietata espressamente la ristampa o l'uso non autorizzato. Toute communication ou reproduction de ce document, toute exploitation ou communication de son contenu sont interdites, sauf autorisation expresse. Tout manquement à cette règle constitue un abus évident et expose son auteur au versement de dommages et intérêts. Tous droits de propriété industrielle réservés. Tout réimpression ou utilisation non autorisée sans la permission écrite de la WABCO est formellement interdite. Weitergabe sowie Vervielfältigung dieses Unterlagen, Verwertung und Mitteilung ihres Inhalts nicht gestattet, soweit nicht ausdrücklich zugelassen. Zuwiderhandlungen stellen einen strafrechtlichen Missbrauch dar und verpflichten zu Schadensersatz. Alle Rechte für den Fall der Patentierung oder Gebrauchsmuster-Eintragung vorbehalten.