

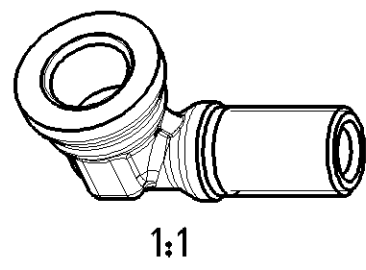
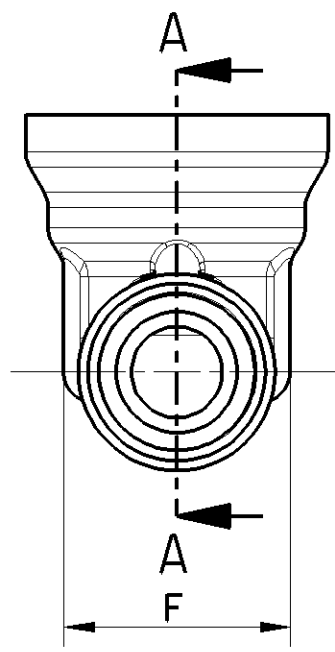
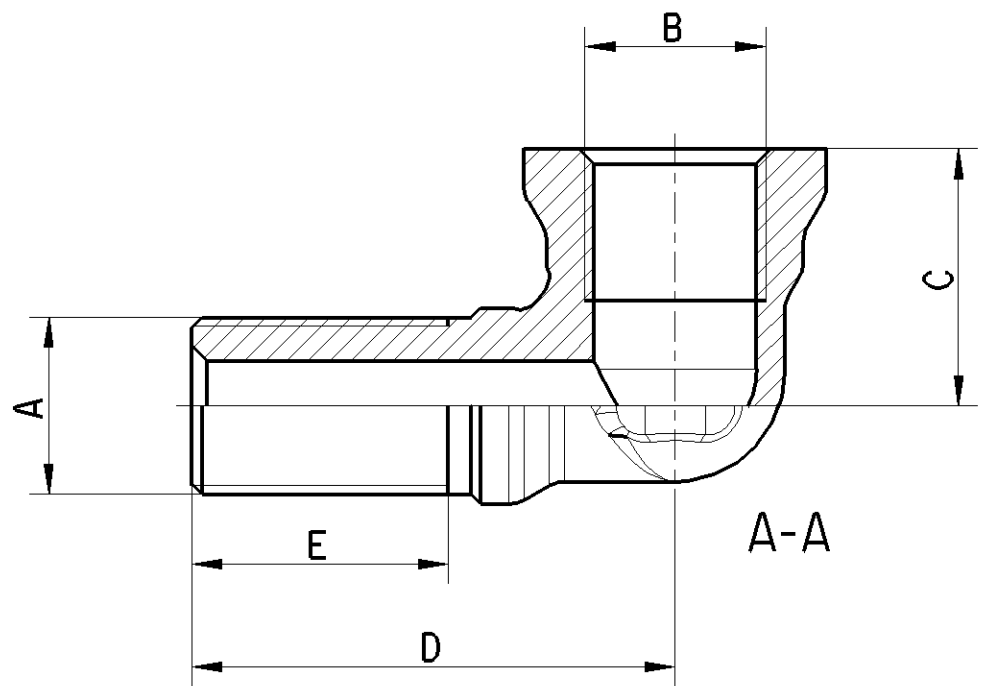
Non e permesso consegnare a terzi o riprodurre questo documento, ne utilizzare il contenuto o renderlo comunque noto a terzi senza autorizzazione esplicita. Ogni infrazione costituirà un evidente abuso e comporterà il risarcimento dei danni subiti. E' fatto riserva di tutti i diritti derivanti da brevetti o modelli.

Copying of this document and giving it to others and the use or communication of the contents thereof, are forbidden without express authority. Contravention of this restriction will constitute an evident abuse and result in a liability to the payment of damages. All rights are reserved in the event of the grant of patent or registration of a utility model or design. This document is the subject of copyright.

Toute communication ou reproduction de ce document, toute exploitation ou communication de son contenu sont interdites, sauf autorisation expresse. Tout manquement a cette règle constitue un abus évident et expose son auteur au versement de dommages et intérêts. Tous droits de propriété industrielle réservés, notamment en matière de brevets et de modèles.

Weitergabe sowie Vervielfältigung dieser Unterlage, Verwertung und Mitteilung ihres Inhalts nicht gestattet, soweit nicht ausdrücklich zugestanden. Zuwiderhandlungen stellen einen offensichtlichen Missbrauch dar und verpflichten zu Schadensersatz. Alle Rechte fuer den Fall der Patenterteilung oder Gebrauchsmuster-Eintragung vorbehalten.

1	2	3	4	5	6	7	8		
Part number	Part name	A	B	C	D	E	F key width	Torque [Nm]	Weight [g] Theoretical
Tolerance:									(39)
893 401 008 4	Elbow	M12x1,5	M12x1,5	17	32	17	15	20(24)	



CLEANLINESS REQUIREMENT:

NO PARTICLES >1MM ALLOWED ACC. TO MANDATORY STANDARD JED-334 AND JED-593

AREA: FOR THE WHOLE PART (SPECIAL AGREEMENTS POSSIBLE, TO BE AGREED WITH PRODUCT ENGINEERING)

GENERAL SPECIFICATION : JED-762 ; JED-622

ENGINEERING RELATED AGREEMENTS WITH SUPPLIER HAVE TO BE MENTIONED IN THE "RELEASE OF SUPPLIER"

TIGHTENING TORQUE; RECOMMENDED TORQUE WITHOUT LUBRICATION (MAX. TORQUE) RESPECT MAX. TORQUE OF COUNTER PART

FOR USE IN APPLICATION IN COMPRESSED AIR SYSTEMS IN COMMERCIAL VEHICLES :

- WITH COMPRESSED AIR ACC. JED-848

MATERIAL OF FITTING: CuZn
WORKING TEMPERATURE: -40°C...+100°C
WORKING PRESSURE: MAX 12.5 bar

General Specification: JED-334-1 , Size ISO 14405 LP					
Further Technical Data:					
Doc. Code:		Sheet:		To	
General Tolerances JED-261					
Range of Nominal Dimensions (± mm)					
Class	1)	≤ 50	> 50 ≤ 180	> 180 ≤ 400	> 400
Fine	X	0.5	1.0	1.5	2.0
Medium		1.0	2.0	3.0	4.0
Coarse		2.0	3.5	5.0	6.5
Tapped Holes acc. JED-152					
1) Tolerance Class Applied Crossmarked					

Copyright WABCO®		WABCO	
Date	Signature	ELBOW	
2018-09-18	Bulaj		
Checked			
2018-09-18	Szczulkowski		
Expert			
Szczulkowski			
Mass	Scale	Material No.	
0.039 KG	2:1 1:1	893 401 008 4	
Size	CAD System	Date of first issue: 2018-09-18	
A 3	CREO	Doc.Code Language Sheet	
		005 EN 1/1	
ECN-No.		Revision	
-		-	
Techn. Resp.		Replacement for	
5790		-	

