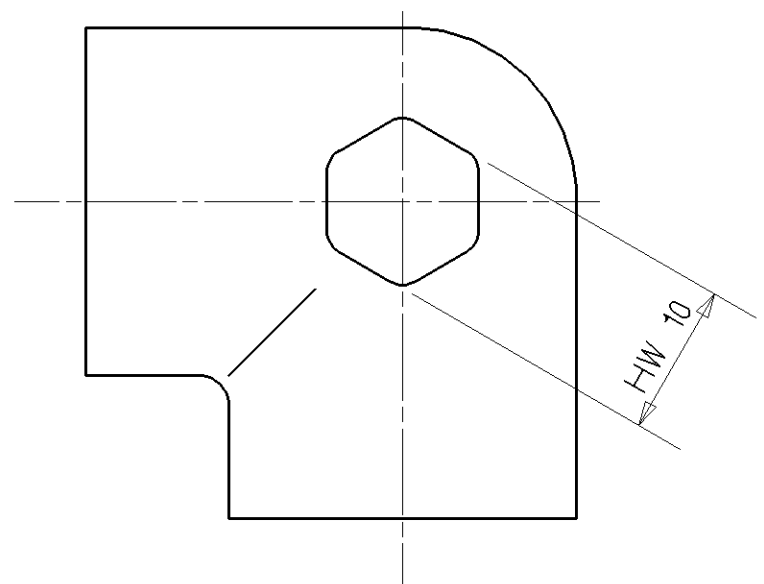
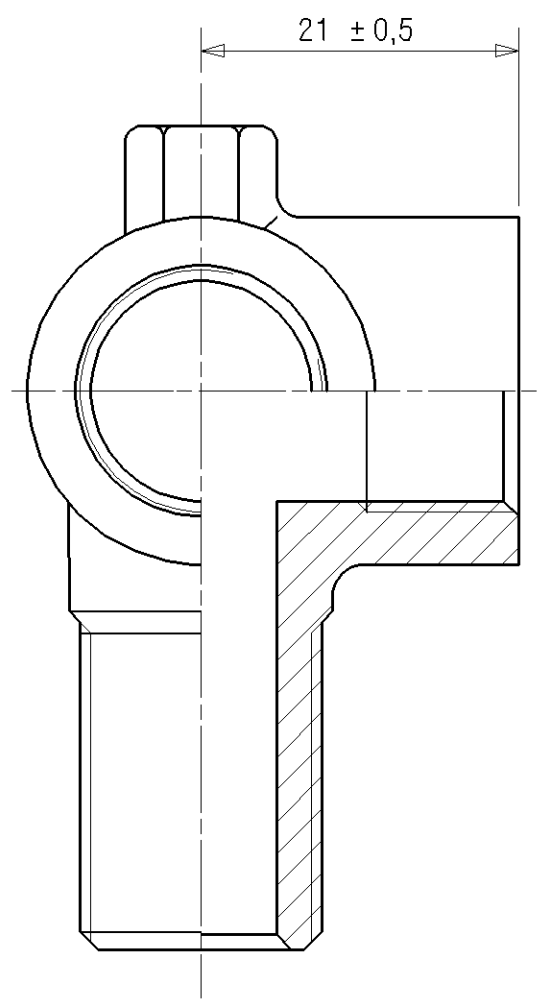
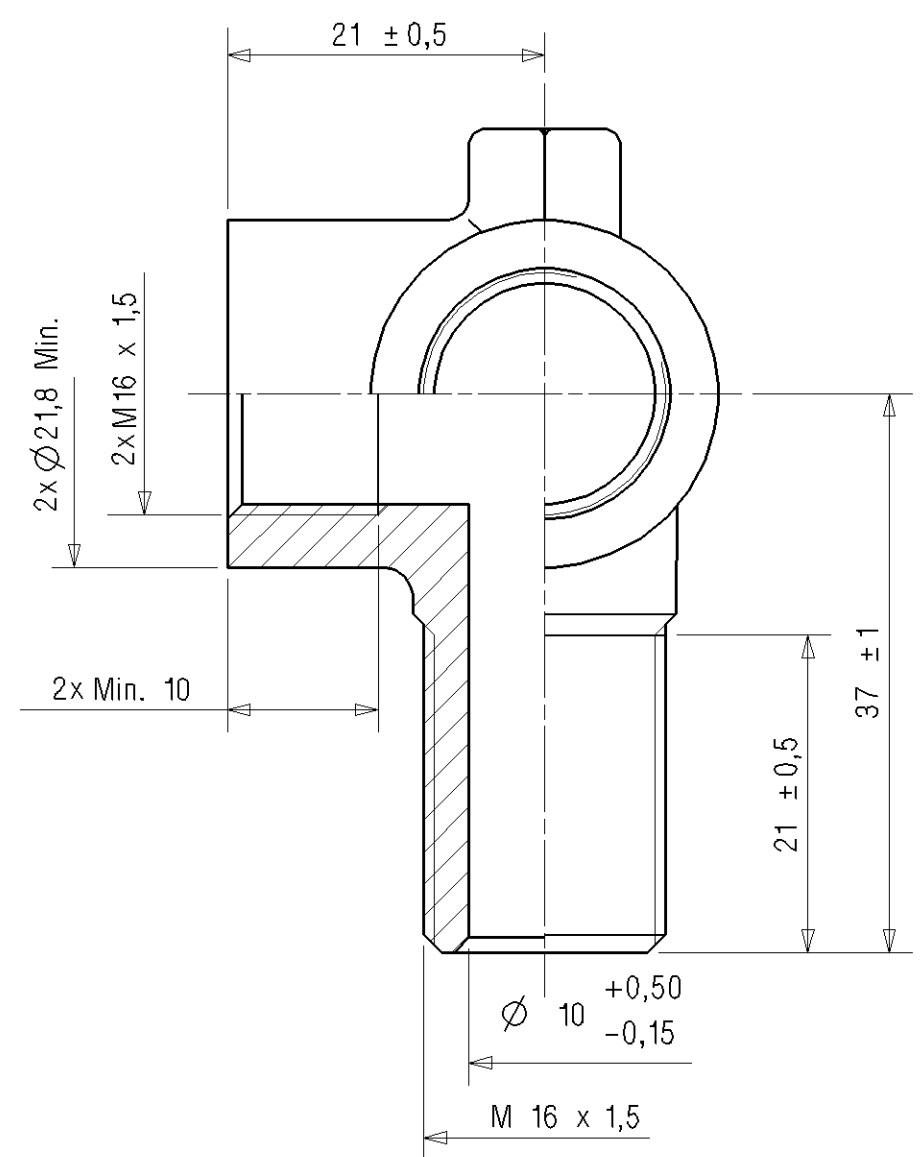


Non e permesso consegnare a terzi o riprodurre questo documento, ne utilizzare il contenuto o renderlo comunque noto a terzi senza autorizzazione esplicita. Ogni infrazione costituira un evidente abuso e comportera il risarcimento dei danni subiti. E' fatto riserva di tutti i diritti derivanti da brevetti o modelli. Copying of this document and giving it to others and the use or communication of the contents thereof, are forbidden without express authority. Controvention of this restriction will constitute an evident abuse and result in a liability to the payment of damages. All rights are reserved in the event of the grant of patent or registration of a utility model or design. This document is the subject of copyright.

Toute communication ou reproduction de ce document, toute exploitation ou communication de son contenu sont interdites, sauf autorisation expresse. Tout manquement a cette regle constitue un abus evident et expose son auteur au versement de dommages et interets. Tous droits de proprieete industrielle reserves, notamment en matiere de brevets et de modesles. Weitergabe sowie Vervielfaeligung dieser Unterlage, Verwertung und Mitteilung ihres Inhalts nicht gestattet, soweit nicht ausdrucklich zugestanden. Zuwiderhandlungen stellen einen offensichtlichen Misbrauch dar und verpflichten zu Schadenersatz. Alle Rechte fuer den Fall der Patentierung oder Gebrauchsmuster-Eintragung vorbehalten.



CLEANLINESS REQUIREMENT:

NO PARTICLES >1MM ALLOWED ACC. TO MANDATORY STANDARD JED-334 AND JED-593

AREA: FOR THE WHOLE PART (SPECIAL AGREEMENTS POSSIBLE, TO BE AGREED WITH PRODUCT ENGINEERING)

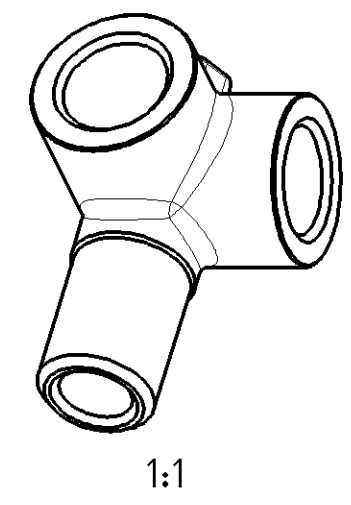
GENERAL SPECIFICATION : JED-762 ; JED-622

ENGINEERING RELATED AGREEMENTS WITH SUPPLIER HAVE TO BE MENTIONED IN THE "RELEASE OF SUPPLIER"

M16x1.5 TORQUE WITHOUT LUBRICATION NOMINAL 30Nm (35Nm MAX.)

FOR USE IN APPLICATION IN COMPRESSED AIR SYSTEMS IN COMMERCIAL VEHICLES :

- WITH COMPRESSED AIR ACC. JED-848



MATERIAL OF FITTING: CuZn
 WORKING TEMPERATURE: -40°C...+100°C
 WORKING PRESSURE: MAX 15 bar

General Specification: JED-334-1 , Size ISO 14405 LP		Copyright WABCO®		WABCO	
Further Technical Data:		Date	Signature		
Doc. Code:	Sheet: To	Drawn		3-WAY COUPLING	
General Tolerances JED-261		2018-04-10	Bulaj		
Range of Nominal Dimensions (± mm)		Checked		Date of first issue: 2018-09-14	
Class 1)	≤ 50 > 50 > 180 > 400 > 400	2018-09-14			
Fine	X 0.5 1.0 1.5 2.0	Expert		005	EN
Medium	1.0 2.0 3.0 4.0	Szczutkowski		1/1	
Coarse	2.0 3.5 5.0 6.5	Szczutkowski		Replacement for	
Tapped Holes acc. JED-152		Mass	Scale	Material No.	
1) Tolerance Class Applied Crossmarked		0.118 KG	2:1 1:1	893 401 014 4	
		Size	CAD System	ECN-No.	Revision
		A 3	CREO	-	-
				Techn. Resp.	5790

100mm