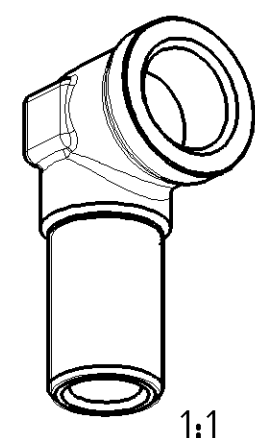
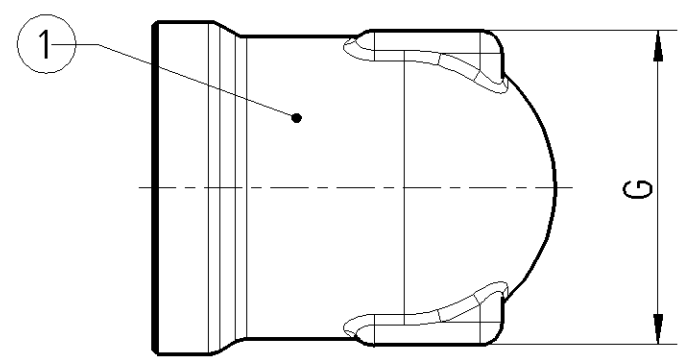
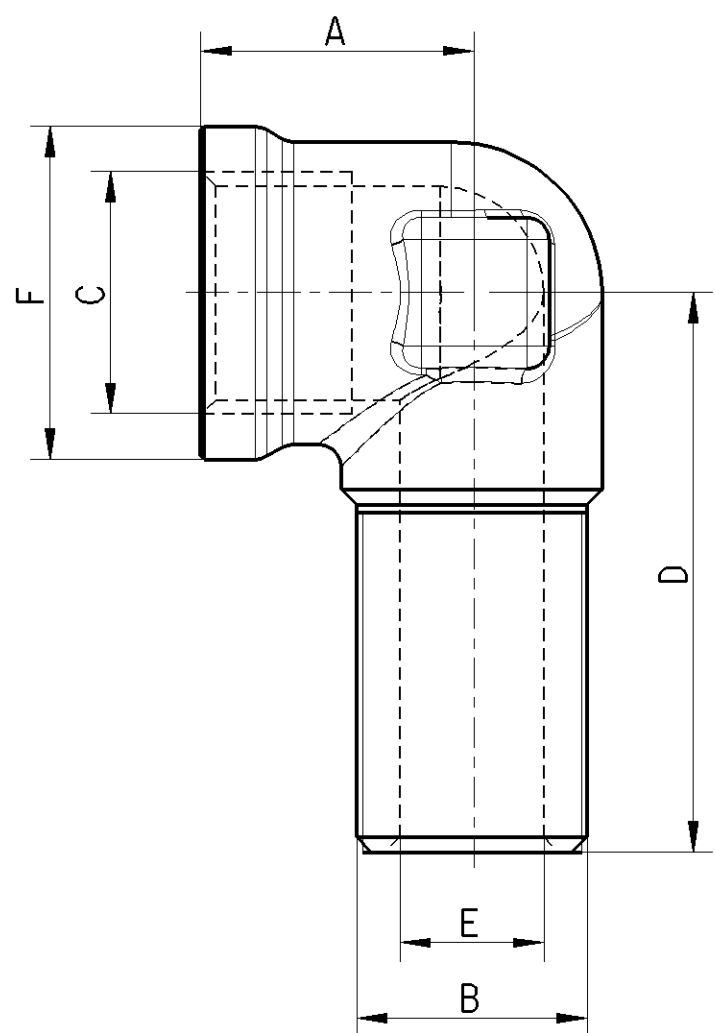


1 2 3 4 5 6 7 8

A	B	C	D	E	F	G
17.4	M16x1.5 length 23 tightening torque: 30 Nm (35 Nm)	M16x1.5 depth min. 10 tightening torque: 30 Nm (35 Nm)	37.5	∅9.5	∅22	21



Cleanliness requirement:

No particles >1mm allowed acc. to mandatory standard:
JED-334 and JED-593

Area: for the whole part (Special agreements possible;
to be agreed with Product Engineering)

Material:

① CuZn

General Specification : JED-762 ; JED-622 ; JED-271

Engineering related agreements with Supplier have to be mentioned in the "Release of Supplier"

For use in application in compressed air systems in commercial vehicles :

- with compressed air acc. JED-848
- at working conditions:
 - -40 °C ... 100 °C
 - max. 13 bar

General Specification: JED-334-O , Size ISO 14405-1 E		Copyright WABCO®		WABCO	
Further Technical Data: 893 000 001 O, doc code O35		Date	Signature		
Doc. Code:	Sheet:	To	Drawn		Elbow Stud
General Tolerances			2015-10-01	Szczulkowski	
Range of Nominal Dimensions (± mm)			Checked		
Class 1) ≤ 50 > 50 ≤ 180 > 180 ≤ 400 > 400			2015-10-05	Luechau	
Class 1) Fine X Medium Coarse			Expert		
Tapped Holes acc. -			Kaufmann		
1) Tolerance Class Applied Crossmarked			Mass	Scale	Material No.
			0.067 KG	2:1 (1:1)	893 401 292 4
			Size	CAD System	Date of first issue: 2015-10-05
			A 3	Pro/E	Doc.Code Language Sheet
			ECN-No. Revision Techn. Resp.		005 EN 1/1
			-		Replacement for
			5790		

Non e permesso consegnare a terzi o riprodurre questo documento, ne utilizzare il contenuto o renderlo comunque noto a terzi senza autorizzazione esplicita. Ogni infrazione costituisce un evidente abuso e comportera il risarcimento dei danni subiti. E' fatto riserva di tutti i diritti derivanti da brevetti o modelli.

Copying of this document and giving it to others and the use or communication of the contents thereof, are forbidden without express authority. Contravention of this restriction will constitute an evident abuse and result in a liability to the payment of damages. All rights are reserved in the event of the grant of patent or registration of a utility model or design. This document is the subject of copyright.

Toute communication ou reproduction de ce document, toute exploitation ou communication de son contenu sont interdites, sauf autorisation expresse. Tout manquement a cette regle constitue un abus evident et expose son auteur au versement de dommages et interets. Tous droits de propriete industrielle reserves, notamment en matiere de brevets et de modesles.

Weitergabe sowie Vervielfaeltigung dieser Unterlage, Verwertung und Mitteilung ihres Inhalts nicht gestattet, soweit nicht ausdru cklich zugestanden. Zuwiderhandlungen stellen einen offensichtlichen Missbrauch dar und verpflichten zu Schadenersatz. Alle Rechte fuer den Fall der Patenterteilung oder Gebrauchsmuster-Eintragung vorbehalten.

A B C D

draw: 8934012924...005 / Version: A.3 / state: Unter Review / mpt 8934012924...A01

1 2 3 4 5 6 7 8