

Non e permesso consegnare a terzi o riprodurre questo documento, ne utilizzare il contenuto o renderlo comunque noto a terzi senza autorizzazione esplicita. Ogni infrazione costituisce un evidente abuso e comportera il risarcimento dei danni subiti. E' fatta riserva di tutti i diritti derivanti da brevetti o modelli.

Copying of this document and giving it to others and the use or communication of the contents thereof, are forbidden without express authority. Contravention of this restriction will constitute an evident abuse and result in a liability to the payment of damages. All rights are reserved in the event of the grant of patent or registration of a utility model or design. This document is the subject of copyright.

Toute communication ou reproduction de ce document, toute exploitation ou communication de son contenu sont interdites, sauf autorisation expresse. Tout manquement a cette regle constitue un abus evident et expose son auteur au versement de dommages et interets. Tous droits de proprieete industrielle reserves, notamment en matiere de brevets et de modesles.

Weitergabe sowie Vervielfaeltigung dieser Unterlage, Verwertung und Mitteilung ihres Inhalts nicht gestattet, soweit nicht ausdruecklich zugestanden. Zuwiderhandlungen stellen einen offensichtlichlichen Missbrauch dar und verpflichten zu Schadensersatz. Alle Rechte fuer den Fall der Patenterteilung oder Gebrauchsmuster-Eintragung vorbehalten.

1	2	3	4	5	6	7	8
A	B	C	D	E	F		
Ø22	M16x1.5	MIN. 10	21.5	Ø15.2 (P5)	14 (KEY WIDTH)		

CLEANLINESS REQUIREMENT:

CLASS: K00 ACCORDING TO JED-593

AREA: FOR THE WHOLE PART (SPECIAL AGREEMENTS POSSIBLE, TO BE AGREED WITH PRODUCT ENGINEERING)

MATERIAL:

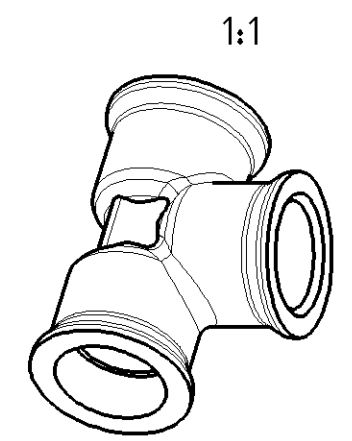
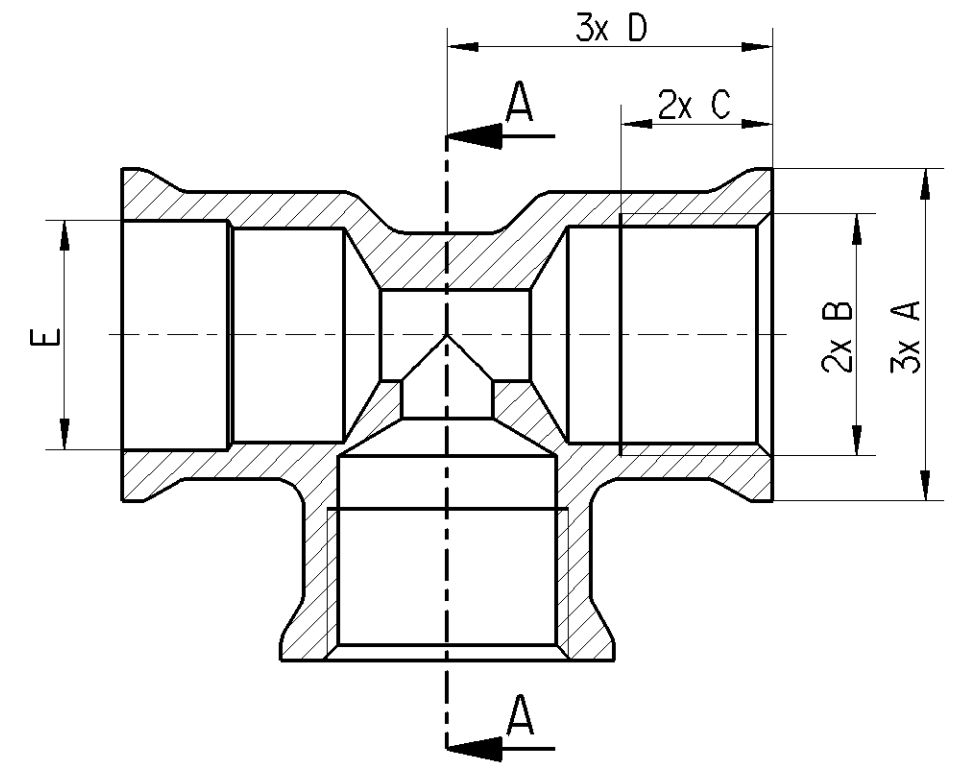
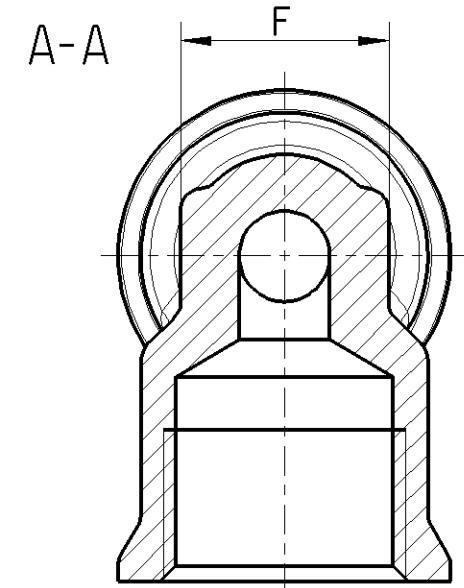
CuZn

GENERAL SPECIFICATION : JED-762 ; JED-622 ; JED-271

ENGINEERING RELATED AGREEMENTS WITH SUPPLIER HAVE TO BE MENTIONED IN THE "RELEASE OF SUPPLIER"

FOR USE IN APPLICATION IN COMPRESSED AIR SYSTEMS IN COMMERCIAL VEHICLES

(-40 °C ... 100 °C)  
(MAX. 1250kPa (12.5 bar))



General Specification: JED-334-1, Size ISO 14405 LP					
Further Technical Data:					
Doc. Code:	Sheet:	To			
General Tolerances					
	Range of Nominal Dimensions ( ± mm)				
Class	1)	≤ 50	> 50 ≤ 180	> 180 ≤ 400	> 400
Fine	X	0.5	1.0	1.5	2.0
Medium		1.0	2.0	3.0	4.0
Coarse		2.0	3.5	5.0	6.5
Tapped Holes acc. -					
1) Tolerance Class Applied Crossmarked					

Copyright WABCO®	
Date	Signature
2014-10-15	Nerling
2014-10-15	Luechau
Expert Kaufmann	
Mass	Scale
0.061 KG	2:1 1:1
Size	CAD System
A 3	CREO

<b>WABCO</b>		
T-Piece		
Material No.	Date of first issue: 2014-10-15	
893 501 194 4	Doc.Code	Language
	005	EN
	1/1	
ECN-No.	Revision	Techn. Resp.
-	-	5790
Replacement for		

100mm

drw: 893501194...005 / Version: -;3 / state: Under Review / mfr: 893501194...A01