

Non e permesso consegnare a terzi o riprodurre questo documento, ne utilizzare il contenuto o renderlo comunque noto a terzi senza autorizzazione esplicita. Ogni infrazione costituisce un evidente abuso e comportera il risarcimento dei danni subiti. E' fatta riserva di tutti i diritti derivanti da brevetti o modelli.

Copying of this document and giving it to others and the use or communication of the contents thereof, are forbidden without express authority. Contravention of this restriction will constitute an evident abuse and result in a liability to the payment of damages. All rights are reserved in the event of the grant of patent or registration of a utility model or design. This document is the subject of copyright.

Toute communication ou reproduction de ce document, toute exploitation ou communication de son contenu sont interdites, sauf autorisation expresse. Tout manquement a cette regle constitue un abus evident et expose son auteur au versement de dommages et interets. Tous droits de proprieete industrielle reserves, notamment en matiere de brevets et de modesles.

Weitergabe sowie Vervielfaeltigung dieser Unterlagen, Verwertung und Mitteilung ihres Inhalts nicht gestattet, soweit nicht ausdruercklich zugestanden. Zuwiderhandlungen stellen einen offensichtlichsten Missbrauch dar und verpflichten zu Schadensersatz. Alle Rechte fuer den Fall der Patenterteilung oder Gebrauchsmuster-Eintragung vorbehalten.

1	2	3	4	5	6	7	8
A	B	C	D				
Ø28	M22x1.5	MIN. 10	23				

**CLEANLINESS REQUIREMENT:**

CLASS: K00 ACCORDING TO JED-593

AREA: FOR THE WHOLE PART (SPECIAL AGREEMENTS POSSIBLE, TO BE AGREED WITH PRODUCT ENGINEERING)

**MATERIAL:**

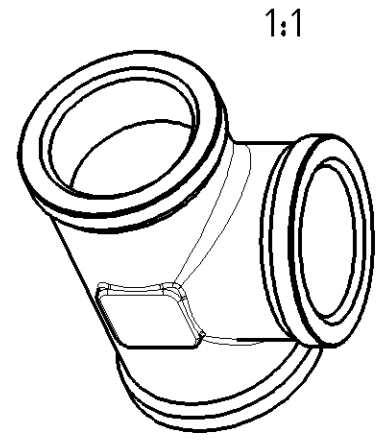
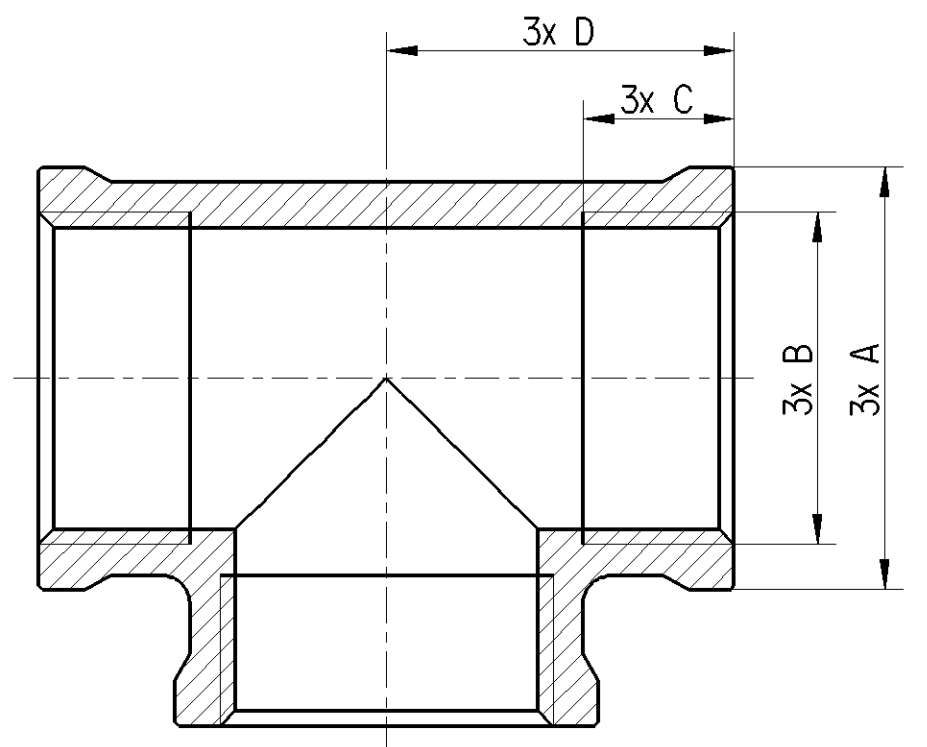
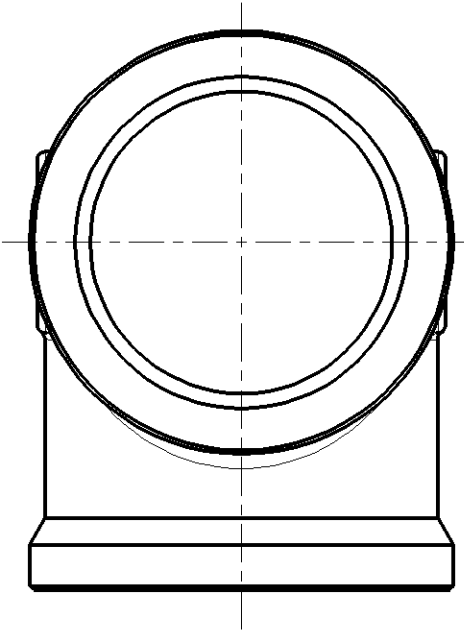
CuZn

GENERAL SPECIFICATION : JED-762 ; JED-622 ; JED-271

ENGINEERING RELATED AGREEMENTS WITH SUPPLIER HAVE TO BE MENTIONED IN THE "RELEASE OF SUPPLIER"

FOR USE IN APPLICATION IN COMPRESSED AIR SYSTEMS IN COMMERCIAL VEHICLES

(-40 °C ... 100 °C)  
(MAX. 1250kPa (12.5 bar))



General Specification: JED-334-1, Size ISO 14405 LP				Copyright WABCO®		<b>WABCO</b>					
Further Technical Data:				Date	Signature				T-Piece		
Doc. Code:		Sheet: To		2014-10-15	Nerling	Date of first issue: <b>2014-10-15</b>					
General Tolerances				2014-10-15	Luechau						
Range of Nominal Dimensions ( ± mm)				Checked		005	EN	1/1			
Class	1)	≤ 50	> 50 ≤ 180	> 180 ≤ 400	> 400	Material No.					
Fine	X	0.5	1.0	1.5	2.0	893 501 197 4					
Medium		1.0	2.0	3.0	4.0	Date of first issue: <b>2014-10-15</b>					
Coarse		2.0	3.5	5.0	6.5	Doc.Code Language Sheet					
Tapped Holes acc. -				Expert		5790					
1) Tolerance Class Applied Crossmarked				Kaufmann		Replacement for					
				Mass	Scale	ECN-No.					
				0.095 KG	2:1 1:1	Revision					
				Size	CAD System	Techn. Resp.					
				A 3	CREO	5790					

100mm