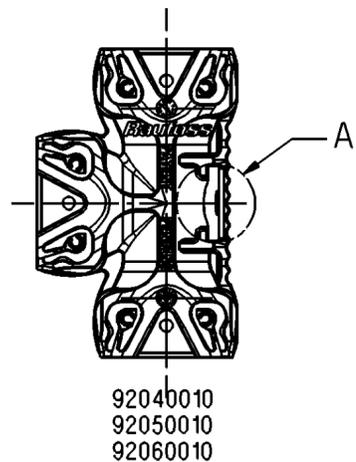
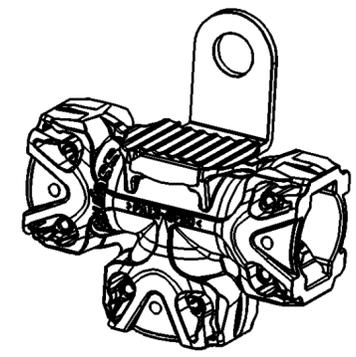
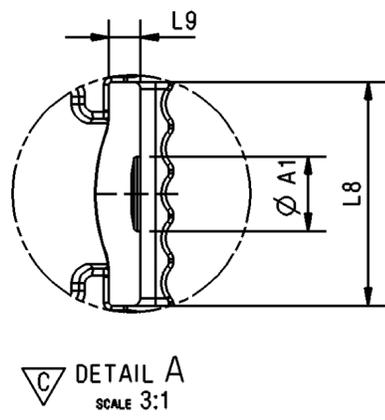
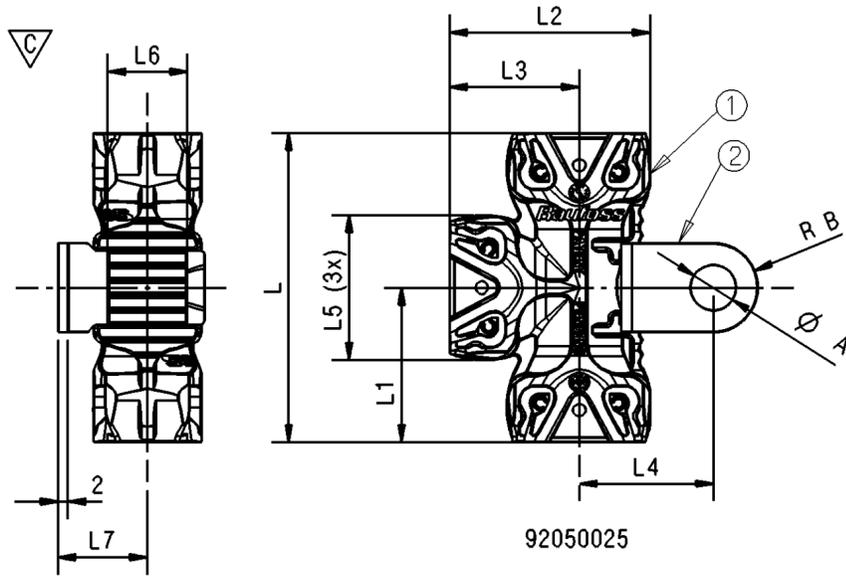


Non è permesso consegnare o terzi o riprodurre questo documento, né utilizzare il contenuto o renderlo comunque noto a terzi.  
 E' vietata espressamente la ristampa o l'uso non autorizzato senza permesso scritto dalla WABCO. Il copyright è riservato a WABCO.  
 Toute communication ou reproduction de ce document, toute exploitation ou communication de son contenu sont interdites, sauf autorisation expresse. Tout manquement à cette règle constitue un abus, éventuellement de dommages et intérêts.  
 Alle Rechte für den Fall der Patentierung oder Gebrauchsmuster-Eintragung vorbehalten.

RA DAK/CAD US	Symb.	Rate/Spr.	Forandring/Revision	Em.nr./ECO.no.	Dato/Date/Sign.	Gkj./App.
C			Established KA-standard	3201792	2010-12-23/EvMo	GeKr



WABCO PART NUMBER	RAUFOSS CODE	SIZE	A	A1	B	L	L1	L2	L3	L4	L5	L6	L7	L8	L9	WEIGHT [g]
				± 0,15		± 0,75		± 0,75						± 0,25	± 0,15	
8935030714	92040010	Small	-	-	-	53,3	(26,65)	34,5	(18,5)	-	(25)	-	-	-	-	14
8935030724	92050010	Regular	-	-	-	62,2	(31,1)	40,3	(26,1)	-	-	-	-	-	-	22
8935030704	92050025	Regular w/bracket	(9)	5	(9)	62,2	(31,1)	40,3	(26,1)	(26,9)	(29)	(16)	(18)	15	2,1	34,4
8935030734	92060010	Heavy Duty	-	-	-	72,9	(36,4)	47,2	(30,6)	-	(34)	-	-	-	-	35



**WORKING TEMPERATURE:** -40°C/+100°C  
**WORKING PRESSURE:** 0 - 12,5 bar  
**OPERATING MEDIUM:** COMPRESSED AIR

Stk.nr./Pos.no.	Gjenstand/Object/Dim.	Anl./No. pr. sett	Matr.	Dim./Vekt av emne/ Materialweight	Norm nr./no.	Anmerking/Note
Tgn./Drw. MaG 07-04-16	Prof.	Gen. ruhet/roughness	Gen. toler.	Målestokk/Scale	Ref. tegn./Ref. drawing	
Ktrl./Ctrl.		Erstating/Replacement for:	Erstattet av/Replaced by:			
Klr./Cfr. EP 07-04-18						
Gkj./App. JaEs 07-04-30						

**RAUFOSS ABC**  
 Union T&L with bracket clip  
 Design record

**Raufoss**  
 001-1294-C  
 Arkiv nr./File no. Sign.

Raufoss ABC couplings can be used with polyamide (PA 6.10, PA 10.10, PA 10.12, PA 11, PA 12) or Hytrel tubing to one of the following standards:  
 - ISO 7628  
 - DIN 74324  
 - DIN 73378  
 - SAE J844

Peak-temperature up to +130 °C (pressure less, for a period of approximately 2 hours.)

Please take into consideration the max allowed tube operation pressure.

Raufoss ABC couplings from Kongsberg Automotive is approved and certified by: TÜV Nord

For any further specific requirements, applications of our product or support for technical solutions, please ask for individual consultation from Kongsberg Automotive, our subsidiary Kongsberg Raufoss Distribution SAS.

Cleanliness requirement:  
 Class: K00 according JED-593  
 Area: for the whole part (Special agreements possible; to be agreed with Product Engineering)

No	Part	Material
1	BODY	PA
2	BRACKET	STAINLESS STEEL

Suitable for use in air brake systems for commercial vehicles  
 General Specification : JED-762 ; JED-622 ; JED-271 ; JED-220  
 Engineering related agreements with Supplier have to be mentioned in the "Release of Supplier"

General Specification: JED-334-0, Size ISO 14405-1 E		Copyright WABCO®		<b>WABCO</b>	
Further Technical Data: 893 000 001 0		Date	Signature	Tee piece	
Doc. Code: 035	Sheet: To	2013-08-28	Saravanan		
General Tolerances JED-261		Checked			
Range of Nominal Dimensions ( ± mm)		2013-09-09	Kaufmann		
Class 1)	≤ 50 > 50 ≤ 180 > 180 > 400	Expert			
Fine	X 0.5 1.0 1.5 2.0	Kaufmann			
Medium	1.0 2.0 3.0 4.0	Mtss	Scale	Material No.	Date of first issue:
Coarse	2.0 3.5 5.0 6.5	-	-	893 503 074 4	Doc.Code Language Sheet
Tapped Holes acc. -		Size	CAD System	053 EN 1/1	
1) Tolerance Class Applied Crossmarked		A 2	Pro/E	ECN-No.	Revision
				-	5790
				Techn. Resp.	Replacement for
				-	-

100mm