

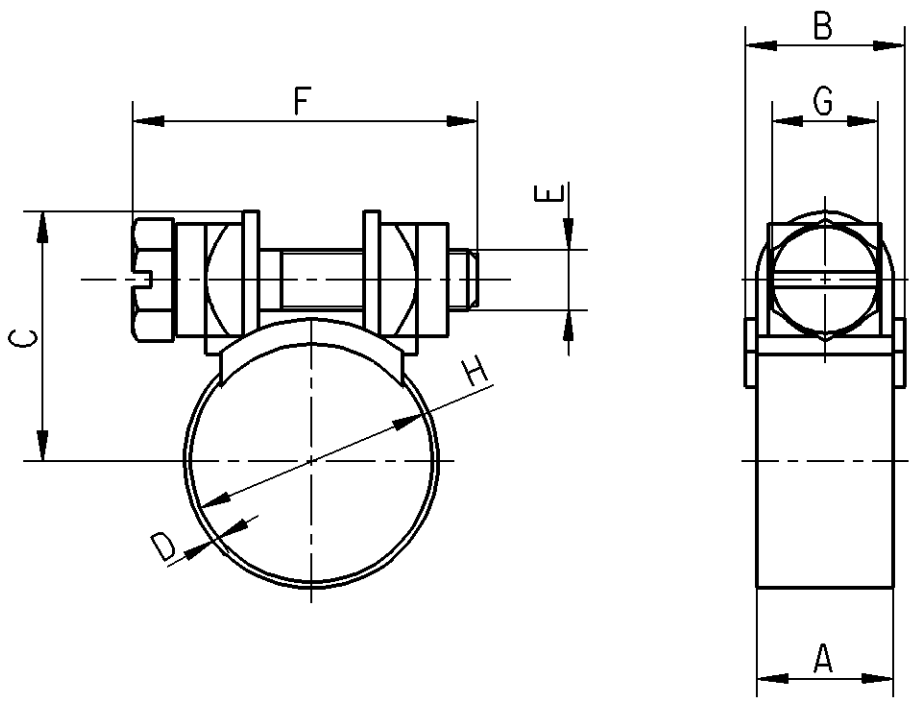
Non e' permesso consegnare a terzi o riprodurre questo documento, ne utilizzare il contenuto o renderlo comunque noto a terzi senza autorizzazione esplicita. Ogni infrazione costituisce un evidente abuso e comportera il risarcimento dei danni subiti. E' fatta riserva di tutti i diritti derivanti da brevetti o modelli.

Copying of this document and giving it to others and the use or communication of the contents thereof, are forbidden without express authority. Contrivention of this restriction will constitute an evident abuse and result in a liability to the payment of damages. All rights are reserved in the event of the grant of patent or registration of a utility model or design. This document is the subject of copyright.

Toute communication ou reproduction de ce document, toute exploitation ou communication de son contenu sont interdites, sauf autorisation expresse. Tout manquement a cette regle constitue un abus evident et expose son auteur au versement de dommages et interets. Tous droits de proprie'te industrielle reserves, notamment en matiere de brevets et de modesles.

Weitergabe sowie Vervielfaeltigung dieser Unterlage, Verwertung und Mitteilung ihres Inhalts nicht gestattet, soweit nicht ausdru'cklich zugestanden. Zuwiderhandlungen stellen einen offensichtlichlichen Missbrauch dar und verpflichten zu Schadensersatz. Alle Rechte fuer den Fall der Patenterteilung oder Gebrauchsmuster-Eintragung vorbehalten.

1	2	3	4	5	6	7	8		
A	B	C	D	E	F	G	H	Bolt Type	Type R
9	10.5	19 Max	0.4	M4	31 max	-	Ø16	ISO 1207 Cheese head Bolt	



Application: For use in automotive area in commercial vehicles

Cleanliness requirement: No requirement defined

Material: Steel

Surface protection: Exposure grade X; JED-256-5

Type: "Hose clamp DIN3017-B1-16x9-W1-X"

Tolerances acc.: DIN3017-2

Technical delivery cond.: DIN3017-4

Remark: Parts can deviate from the drawing. Shown dimensions are mandatory

General Specification: JED-762; JED-622; JED-271; JED-220

Remark: Engineering related agreements with supplier have to be mentioned in "Release of Supplier"

General Specification: JED-334-0 , Size ISO 14405-1 E				Copyright WABCO®		WABCO																																
Further Technical Data:				Date	Signature																																	
Doc. Code:		Sheet:		To		Hose clamp																																
General Tolerances JED-261				Drawn																																		
<table border="1"> <thead> <tr> <th rowspan="2">Class</th> <th rowspan="2">1)</th> <th colspan="4">Range of Nominal Dimensions (± mm)</th> <th rowspan="2">±3°</th> </tr> <tr> <th>≤ 50</th> <th>> 50 ≤ 180</th> <th>> 180 ≤ 400</th> <th>> 400</th> </tr> </thead> <tbody> <tr> <td>Fine</td> <td>X</td> <td>0.5</td> <td>1.0</td> <td>1.5</td> <td>2.0</td> <td rowspan="3">±3°</td> </tr> <tr> <td>Medium</td> <td></td> <td>1.0</td> <td>2.0</td> <td>3.0</td> <td>4.0</td> </tr> <tr> <td>Coarse</td> <td></td> <td>2.0</td> <td>3.5</td> <td>5.0</td> <td>6.5</td> </tr> </tbody> </table>				Class	1)	Range of Nominal Dimensions (± mm)				±3°	≤ 50	> 50 ≤ 180	> 180 ≤ 400	> 400	Fine	X	0.5	1.0	1.5	2.0	±3°	Medium		1.0	2.0	3.0	4.0	Coarse		2.0	3.5	5.0	6.5	Checked		Date of first issue: 2013-10-01		
						Class	1)	Range of Nominal Dimensions (± mm)				±3°																										
≤ 50	> 50 ≤ 180	> 180 ≤ 400	> 400																																			
Fine	X	0.5	1.0	1.5	2.0	±3°																																
Medium		1.0	2.0	3.0	4.0																																	
Coarse		2.0	3.5	5.0	6.5																																	
				Expert		Doc.Code	Language	Sheet																														
				Kaufmann		893 510 470 2																																
Tapped Holes acc. -				Mass	Scale	Material No.																																
1) Tolerance Class Applied Crossmarked				KG	-	005 EN 1/1																																
				Size	CAD System	Replacement for																																
				A 3	Pro/E	ECN-No.	Revision	Techn. Resp.																														
						-	-	5790																														

100mm