

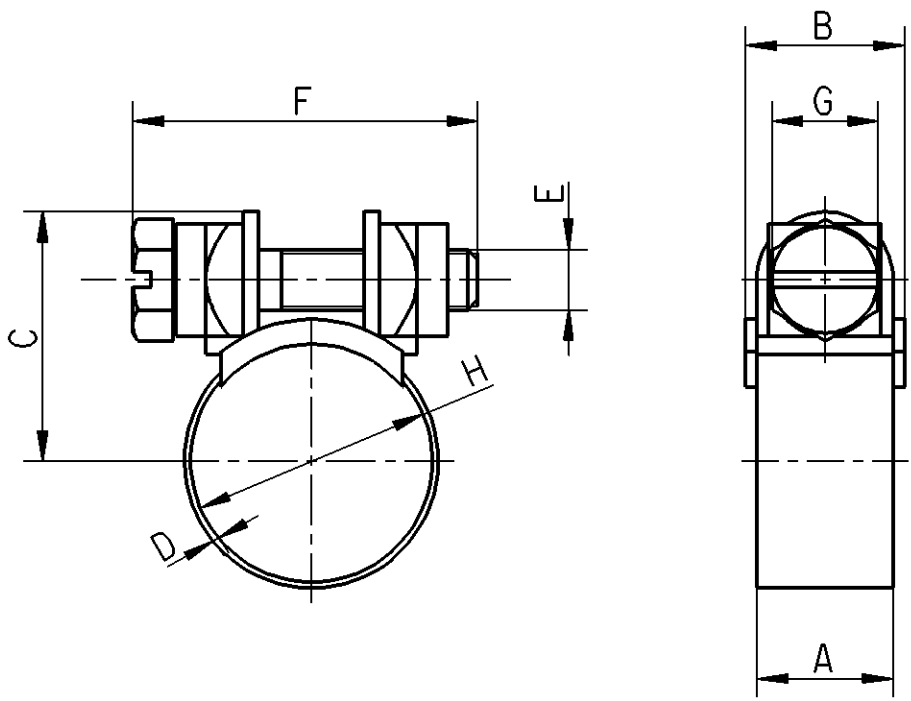
Non e permesso consegnare a terzi o riprodurre questo documento, ne utilizzare il contenuto o renderlo comunque noto a terzi senza autorizzazione esplicita. Ogni infrazione costituirà un evidente abuso e comporterà il risarcimento dei danni subiti. E' fatta riserva di tutti i diritti derivanti da brevetti o modelli.

Copying of this document and giving it to others and the use or communication of the contents thereof, are forbidden without express authority. Contrivention of this restriction will constitute an evident abuse and result in a liability to the payment of damages. All rights are reserved in the event of the grant of patent or registration of a utility model or design. This document is the subject of copyright.

Toute communication ou reproduction de ce document, toute exploitation ou communication de son contenu sont interdites, sauf autorisation expresse. Tout manquement a cette regle constitue un abus evident et expose son auteur au versement de dommages et interets. Tous droits de propriété industrielle réservés, notamment en matière de brevets et de modèles.

Weitergabe sowie Vervielfaeltigung dieser Unterlage, Verwertung und Mitteilung ihres Inhalts nicht gestattet, soweit nicht ausdruecklich zugestanden. Zuwiderhandlungen stellen einen offensichtlichlichen Missbrauch dar und verpflichten zu Schadensersatz. Alle Rechte fuer den Fall der Patenterteilung oder Gebrauchsmuster-Eintragung vorbehalten.

1	2	3	4	5	6	7	8		
A	B	C	D	E	F	G	H	Bolt Type	Type R
9	10,5 Max.	18 Max.	0,4	M4	31 Max	-	Ø14	ISO 1207 Cheese head Bolt	



Application: For use in automotive area in commercial vehicles

Cleanliness requirement: No requirement defined

Material: Steel

Surface protection: Exposure grade X; JED-256-5

Type: "Hose clamp DIN3017-B1-14x9-W1-X"

Tolerances acc.: DIN3017-2

Technical delivery cond.: DIN3017-4

Remark: Parts can deviate from the drawing. Shown dimensions are mandatory

General Specification: JED-762; JED-622; JED-271; JED-220

Remark: Engineering related agreements with supplier have to be mentioned in "Release of Supplier"

General Specification: JED-334-0 , Size ISO 14405-1 E				Copyright WABCO®		<b>WABCO</b>																																
Further Technical Data:				Date	Signature																																	
Doc. Code:		Sheet:		To		Hose clamp																																
General Tolerances JED-261				Drawn																																		
<table border="1"> <thead> <tr> <th rowspan="2">Class</th> <th rowspan="2">1)</th> <th colspan="4">Range of Nominal Dimensions ( ± mm)</th> <th rowspan="2">±3°</th> </tr> <tr> <th>≤ 50</th> <th>&gt; 50 ≤ 180</th> <th>&gt; 180 ≤ 400</th> <th>&gt; 400</th> </tr> </thead> <tbody> <tr> <td>Fine</td> <td>X</td> <td>0.5</td> <td>1.0</td> <td>1.5</td> <td>2.0</td> <td rowspan="3">±3°</td> </tr> <tr> <td>Medium</td> <td></td> <td>1.0</td> <td>2.0</td> <td>3.0</td> <td>4.0</td> </tr> <tr> <td>Coarse</td> <td></td> <td>2.0</td> <td>3.5</td> <td>5.0</td> <td>6.5</td> </tr> </tbody> </table>				Class	1)	Range of Nominal Dimensions ( ± mm)				±3°	≤ 50	> 50 ≤ 180	> 180 ≤ 400	> 400	Fine	X	0.5	1.0	1.5	2.0	±3°	Medium		1.0	2.0	3.0	4.0	Coarse		2.0	3.5	5.0	6.5	Checked		Date of first issue: 2013-09-23		
						Class	1)	Range of Nominal Dimensions ( ± mm)				±3°																										
≤ 50	> 50 ≤ 180	> 180 ≤ 400	> 400																																			
Fine	X	0.5	1.0	1.5	2.0	±3°																																
Medium		1.0	2.0	3.0	4.0																																	
Coarse		2.0	3.5	5.0	6.5																																	
				Expert																																		
				Kaufmann		Doc.Code Language Sheet																																
Mass		Scale		Material No.			005 EN 1/1																															
-		-		893 519 003 2																																		
Size		CAD System		ECN-No.			Revision Techn. Resp.																															
A 3		Pro/E		-			5790																															
Tapped Holes acc. -				Replacement for		-																																
1) Tolerance Class Applied Crossmarked																																						