

Non e permesso consegnare a terzi o riprodurre questo documento, ne utilizzare il contenuto o renderlo comunque noto a terzi senza autorizzazione esplicita. Ogni infrazione costituira un evidente abuso e comportera il risarcimento dei danni subiti. E' fatto riserva di tutti i diritti derivanti da brevetti o modelli.

Copying of this document and giving it to others and the use or communication of the contents thereof, are forbidden without express authority. Controvention of this restriction will constitute an evident abuse and result in a liability to the payment of damages. All rights are reserved in the event of the grant of patent or registration of a utility model or design. This document is the subject of copyright.

Toute Communication ou reproduction de ce document, toute exploitation ou communication de son contenu sont interdites, sauf autorisation expresse. Tout manquement a cette regle constitue un abus evident et expose son auteur au versement de dommages et interets. Tous droits de propriete industrielle reserves, notamment en matiere de brevets et de modesles.

Weitergabe sowie Vervielfaeligung dieser Unterlage, Verwertung und Mitteilung ihres Inhalts nicht gestattet, soweit nicht ausdruecklich zugestanden. Zuwiderhandlungen stellen einen offensichtlichlichen Misbrauch dar und verpflichten zu Schadenersatz. Alle Rechte fuer den Fall der Patenterteilung oder Gebrauchsmuster-Eintragung vorbehalten.

Part number	Part name	A	B	C P5 PLUG-IN	D	E	Torque[Nm]	Weight [g] Theoretical
Tolerance:		±0,3	6H	±0,04	Min.	+1,0	-	-
893 550 002 4	Push in Coupling	22	M16x1,5	15.2	10	21.5	30(35)	(95)
893 920 000 4	Push in Coupling							(92)

CLEANLINESS REQUIREMENT:

NO PARTICLES >1MM ALLOWED ACC. TO MANDATORY STANDARD JED-334 AND JED-593

AREA: FOR THE WHOLE PART (SPECIAL AGREEMENTS POSSIBLE, TO BE AGREED WITH PRODUCT ENGINEERING)

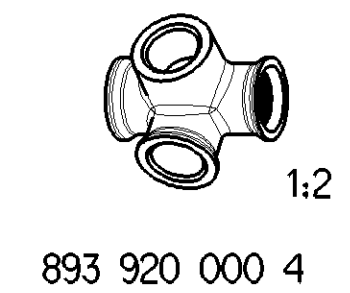
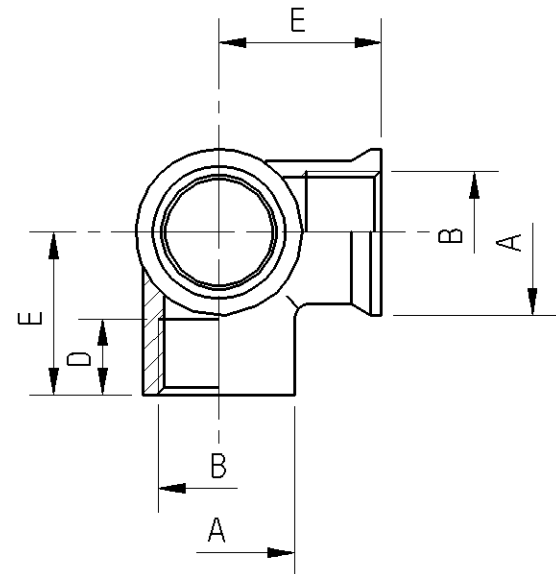
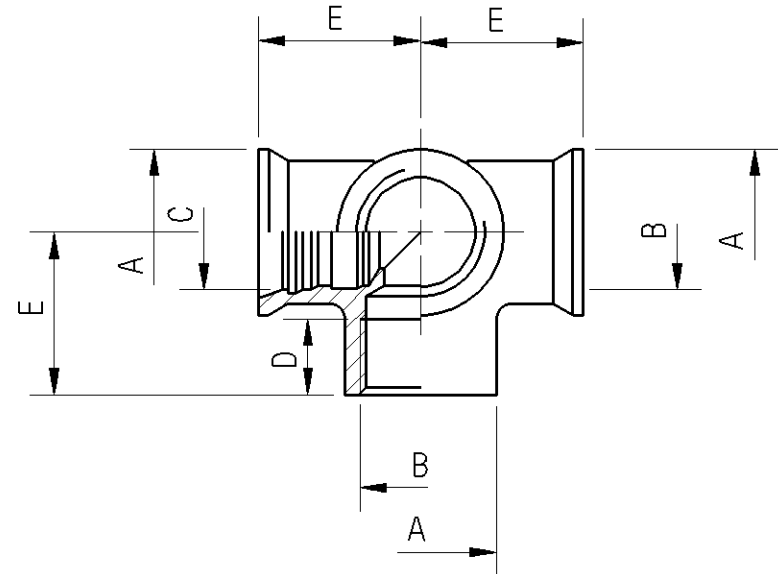
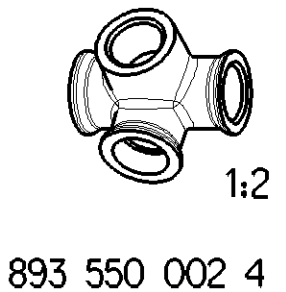
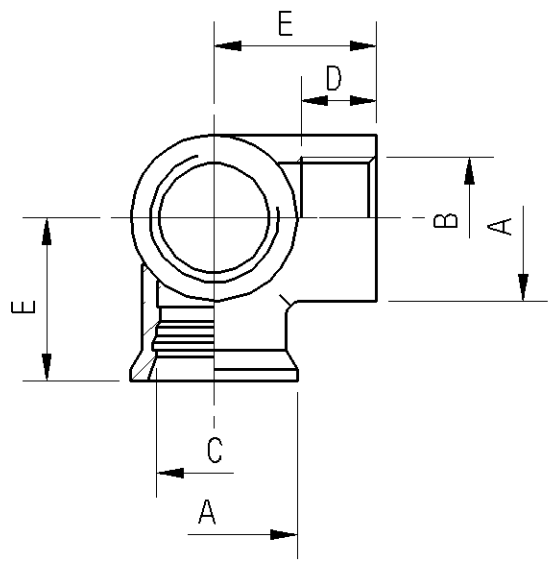
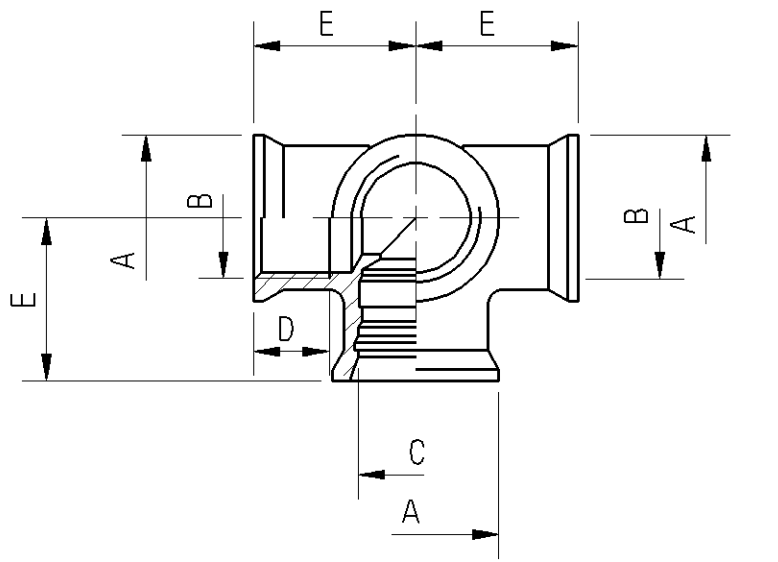
GENERAL SPECIFICATION : JED-762 ; JED-622

ENGINEERING RELATED AGREEMENTS WITH SUPPLIER HAVE TO BE MENTIONED IN THE "RELEASE OF SUPPLIER"

TIGHTENING TORQUE: RECOMMENDED TORQUE WITHOUT LUBRICATION (MAX. TORQUE) RESPECT MAX. TORQUE OF COUNTER PART

FOR USE IN APPLICATION IN COMPRESSED AIR SYSTEMS IN COMMERCIAL VEHICLES :

- WITH COMPRESSED AIR ACC. JED-848



MATERIAL OF FITTING: CuZn
WORKING TEMPERATURE: -40°C...+100°C
WORKING PRESSURE: MAX 12,5 bar

General Specification: JED-334-1 , Size ISO 14405 LP					
Further Technical Data:					
Doc. Code:		Sheet:		To	
General Tolerances JED-261					
Range of Nominal Dimensions (± mm)					
Class	1)	≤ 50	> 50 ≤ 180	> 180 ≤ 400	> 400
Fine	X	0.5	1.0	1.5	2.0
Medium		1.0	2.0	3.0	4.0
Coarse		2.0	3.5	5.0	6.5
Tapped Holes acc. JED-152					
1) Tolerance Class Applied Crossmarked					

Copyright WABCO®		WABCO PUSH IN COUPLING		Date of first issue: 2018-04-20		
Date	Signature			Doc.Code	Language	Sheet
2018-04-09	Bulaj			053	EN	1/1
2018-04-20	Szczulkowski					
Checked	Expert	Material No.		Replacement for		
SzcZulkowski		893 550 002 0		-		
Mass	Scale	ECN-No.		Revision	Techn. Resp.	
see table	1:1 (1:2)	-		-	5790	
Size	CAD System	-		-		
A 3	CREO	-		-		