

Non e permesso consegnare a terzi o riprodurre questo documento, ne utilizzare il contenuto o renderlo comunque noto a terzi senza autorizzazione esplicita. Ogni infrazione costituirà un evidente abuso e comporterà il risarcimento dei danni subiti. E' fatto riserva di tutti i diritti derivanti da brevetti o modelli.

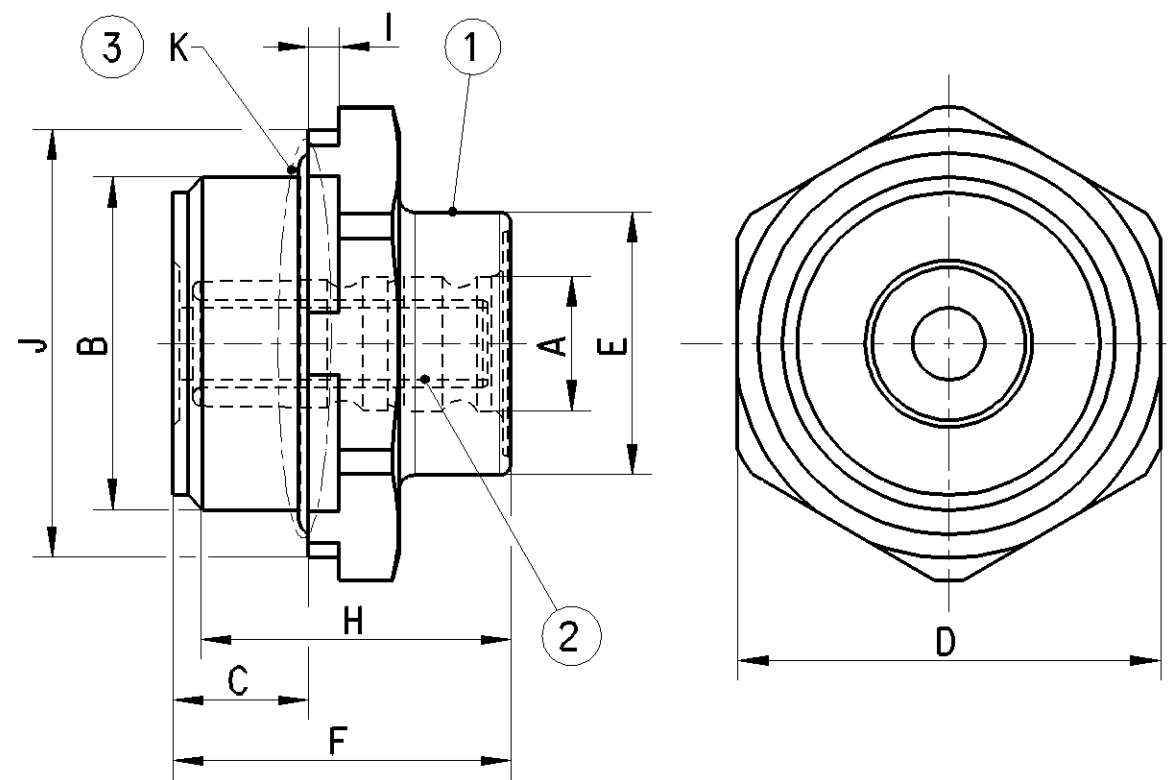
Copying of this document and giving it to others and the use or communication of the contents thereof, are forbidden without express authority. Controvention of this restriction will constitute an evident abuse and result in a liability to the payment of damages. All rights are reserved in the event of the grant of patent or registration of a utility model or design. This document is the subject of copyright.

Toute communication ou reproduction de ce document, toute exploitation ou communication de son contenu sont interdites, sauf autorisation expresse. Tout manquement a cette regle constitue un abus evident et expose son auteur au versement de dommages et interets. Tous droits de propriete industrielle reserves, notamment en matiere de brevets et de modesles.

Weitergabe sowie Vervielfaeligung dieser Unterlage, Verwertung und Mitteilung ihres Inhalts nicht gestattet, soweit nicht ausdruendlich zugestanden. Zuwiderhandlungen stellen einen offensichtlichlichen Missbrauch dar und verpflichten zu Schadenersatz. Alle Rechte fuer den Fall der Patenterteilung oder Gebrauchsmuster-Eintragung vorbehalten.

1	2	3	4	5	6	7	8			
A	B	C	D	E	F	G	H	I	J	K
for Tube 8x1,0 new Line <CI>	M22x1,5	9	Hex.28	Ø17,4	22,4	34Nm (40Nm)	(20,5) Push in length <CI>	2	Ø28,3	with O-ring

G : recommended torque without lubrication (max. torque) respect max torque of counter part



Cleanliness requirement:

Class: K00 according JED-593

Area: for the whole part (Special agreements possible; to be agreed with Product Engineering)

Material:

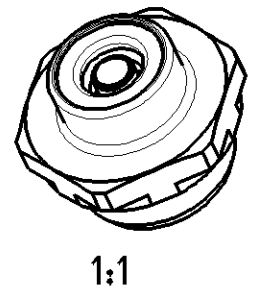
- ① CuZn
- ② PA (inner components)
- ③ EPDM

General Specification : JED-762 ; JED-622 ; JED-220

Engineering related agreements with Supplier have to be mentioned in the "Release of Supplier"

For use in application in compressed air systems in commercial vehicles :

- with Polyamid or Hytrel tubes acc. ISO7628; DIN74324, DIN73378
- with compressed air acc. JED-848
- at working conditions (consider tube spec.) :
 - -40 °C ... 100 °C
 - max. 12,5 bar



General Specification: JED-334-1, Size ISO 14405 LP		Copyright WABCO®		WABCO	
Further Technical Data:		Date	Signature		
Doc. Code:	Sheet:	To	Drawn	2019-11-28	Balago
General Tolerances			Checked	2019-12-11	Szczulkowski
Range of Nominal Dimensions (± mm)			Expert		Szczulkowski
Class	1)	≤ 50	> 50 ≤ 180	> 180 ≤ 400	
Fine	X	0.5	1.0	1.5	2.0
Medium		1.0	2.0	3.0	4.0
Coarse		2.0	3.5	5.0	6.5
Tapped Holes acc. -					
1) Tolerance Class Applied Crossmarked					
Mass	Scale	Material No.		Date of first issue: 2006-12-14	
0.052 KG	2:1 1:1	893 800 005 2		Doc.Code	Language
Size	CAD System	ECN-No.	Revision	Techn. Resp.	Sheet
A 3	CREO	502571	2 x B	5790	005 EN 1/1
				Replacement for	

