

Non e permesso consegnare a terzi o riprodurre questo documento, ne utilizzare il contenuto o renderlo comunque noto a terzi senza autorizzazione esplicita. Ogni infrazione costituira un evidente abuso e comportera il risarcimento dei danni subiti. E' fatto riserva di tutti i diritti derivanti da brevetti o modelli.

Toute communication ou reproduction de ce document, toute exploitation ou communication de son contenu sont interdites, sauf autorisation expresse. Tout manquement a cette regle constitue un abus evident et expose son auteur au versement de dommages et interets. Tous droits de propriete industrielle reserves, notamment en matiere de brevets et de modesles.

Copying of this document and giving it to others and the use or communication of the contents thereof, are forbidden without express authority. Contrivention of this restriction will constitute an evident abuse and result in a liability to the payment of damages. All rights are reserved in the event of the grant of patent or registration of a utility model or design. This document is the subject of copyright.

Weitergabe sowie Vervielfaeligung dieser Unterlage, Verwertung und Mitteilung ihres Inhalts nicht gestattet, soweit nicht ausdruecklich zugestanden. Zuwiderhandlungen stellen einen offensichtlichlichen Missbrauch dar und verpflichten zu Schadensersatz. Alle Rechte fuer den Fall der Patenterteilung oder Gebrauchsmuster-Eintragung vorbehalten.

1	2	3	4	5	6	7	8			
A	B	C	D	E	F	G	H	I	J	K
for Tube 16x2 new Line <CI>	M16x1,5	9	Hex.28	∅27,7	41,7	30Nm (35Nm)	(27) Push in length <CI>	1,5	∅22,3	with O-ring

G : recommended torque without lubrication (max. torque) respect max torque of counter part

Cleanliness requirement:

Class: K00 according JED-593

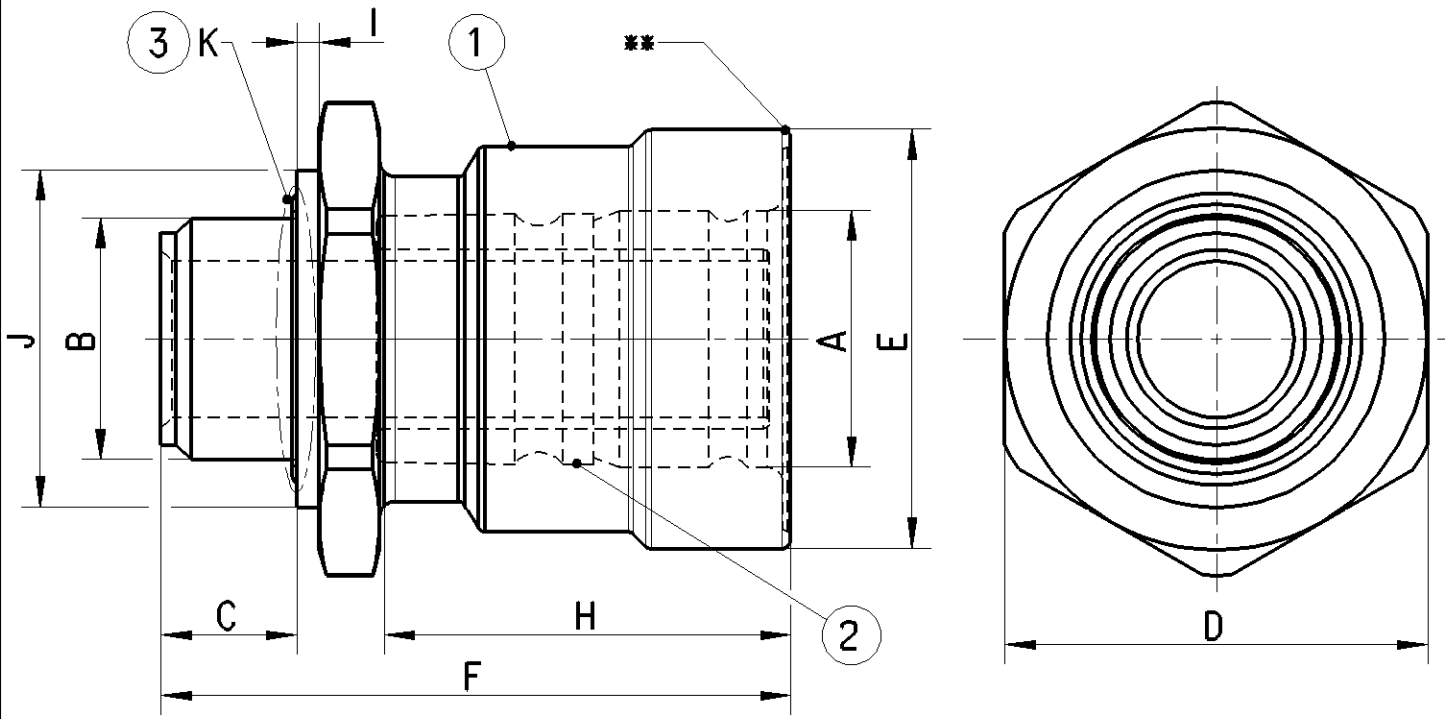
Area: for the whole part (Special agreements possible; to be agreed with Product Engineering)

Material:

- ① CuZn
- ② PA (inner components)
- ③ EPDM

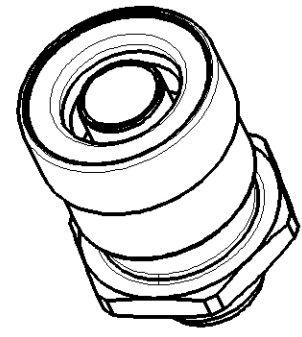
General Specification : JED-762 ; JED-622 ; JED-220

Engineering related agreements with Supplier have to be mentioned in the "Release of Supplier"



For use in application in compressed air systems in commercial vehicles :

- with Polyamind or Hytrel tubes acc. ISO7628; DIN74324, DIN73378
- with compressed air acc. JED-848
- at working conditions (consider tube spec.) :
 - -40 °C ... 100 °C
 - max. 12,5 bar



General Specification: JED-334-1, Size ISO 14405 LP		Copyright WABCO®		WABCO						
Further Technical Data:		Date	Signature							
Doc. Code:	Sheet:	To	Drawn		Screw-in Fitting					
General Tolerances JED-261			2019-11-29	Balago						
Range of Nominal Dimensions (± mm)			Checked							
Class 1)			2019-12-11	Szczulkowski						
			Expert							
			Szczulkowski							
Fine	X	0.5	1.0	1.5	2.0	Material No. 893 800 814 2	Date of first issue: 2013-08-07			
Medium		1.0	2.0	3.0	4.0		005	EN	1/1	
Coarse		2.0	3.5	5.0	6.5					
Tapped Holes acc. -			Mass	Scale	Material No.			Date of first issue: 2013-08-07		
1) Tolerance Class Applied Crossmarked			0.062	2:1	893 800 814 2			Doc.Code	Language	Sheet
			Size	CAD System				005	EN	1/1
			A 3	CREO				Replacement for		
			ECN-No.		Revision	Techn. Resp.				
			502571		2 x	5790				

100mm