

Non e permesso consegnare a terzi o riprodurre questo documento, ne utilizzare il contenuto o renderlo comunque noto a terzi senza autorizzazione esplicita. Ogni infrazione costituirà un evidente abuso e comporterà il risarcimento dei danni subiti. E' fatto riserva di tutti i diritti derivanti da brevetti o modelli.

Toute communication ou reproduction de ce document, toute exploitation ou communication de son contenu sont interdites, sauf autorisation expresse. Toute manquement a cette regle constitue un abus evident et expose son auteur au versement de dommages et interets. Tous droits de propriete industrielle reserves, notamment en matiere de brevets et de modesles.

Copying of this document and giving it to others and the use or communication of the contents thereof, are forbidden without express authority. Controvention of this restriction will constitute an evident abuse and result in a liability to the payment of damages. All rights are reserved in the event of the grant of patent or registration of a utility model or design. This document is the subject of copyright.

Weitergabe sowie Vervielfaeligung dieser Unterlage, Verwertung und Mitteilung ihres Inhalts nicht gestattet, soweit nicht ausdruecklich zugestanden. Zuwiderhandlungen stellen einen offensichtlichlichen Missbrauch dar und verpflichten zu Schadenersatz. Alle Rechte fuer den Fall der Patenterteilung oder Gebrauchsmuster-Eintragung vorbehalten.

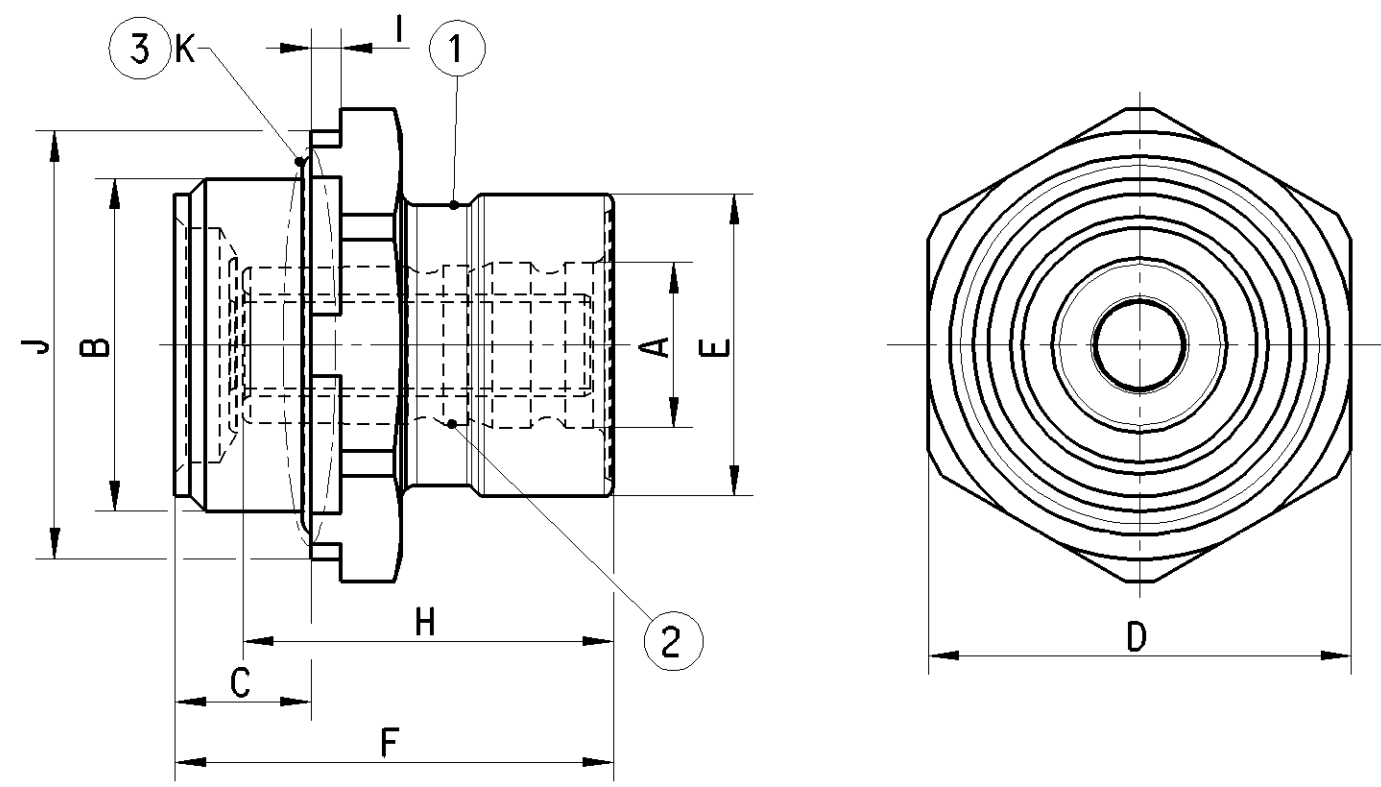
1	2	3	4	5	6	7	8			
A	B	C	D	E	F	G	H	I	J	K
for Tube 10x1,5 new Line <CI>	M22x1,5	9	Hex.28	Ø20	29	34Nm (40Nm)	(24) Push in length <CI>	2	Ø28,3	with O-ring

G : recommended torque without lubrication (max. torque) respect max torque of counter part

Cleanliness requirement:
Class: K00 according JED-593
Area: for the whole part (Special agreements possible; to be agreed with Product Engineering)

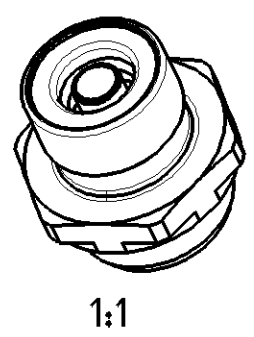
Material:

- ① CuZn
- ② PA (inner components)
- ③ EPDM



General Specification : JED-762 ; JED-622 ; JED-220
Engineering related agreements with Supplier have to be mentioned in the "Release of Supplier"

- For use in application in compressed air systems in commercial vehicles :
- with Polyamind or Hytrel tubes acc. ISO7628; DIN74324, DIN73378
 - with compressed air acc. JED-848
 - at working conditions (consider tube spec.) :
 - -40 °C ... 100 °C
 - max. 12,5 bar



General Specification: JED-334-1, Size ISO 14405 LP		Copyright WABCO®		WABCO	
Further Technical Data:		Date	Signature		
Doc. Code:	Sheet:	To	Drawn		Screw-in Fitting
General Tolerances JED-261			2019-11-29	Balago	
Range of Nominal Dimensions (± mm)			Checked		
Class 1) ≤ 50 > 50 ≤ 180 > 180 ≤ 400 > 400			2019-12-11	Szczulkowski	
Fine	X	0.5 1.0 1.5 2.0	Expert		Material No.
Medium		1.0 2.0 3.0 4.0	Szczulkowski		
Coarse		2.0 3.5 5.0 6.5	Mass Scale		Doc.Code Language Sheet
Tapped Holes acc. -		0.056 KG 2:1 1:1		893 800 819 2	
1) Tolerance Class Applied Crossmarked		Size CAD System		ECN-No. Revision Techn. Resp. Replacement for	
		A 3 CREO		502571 2 x D 5790	