

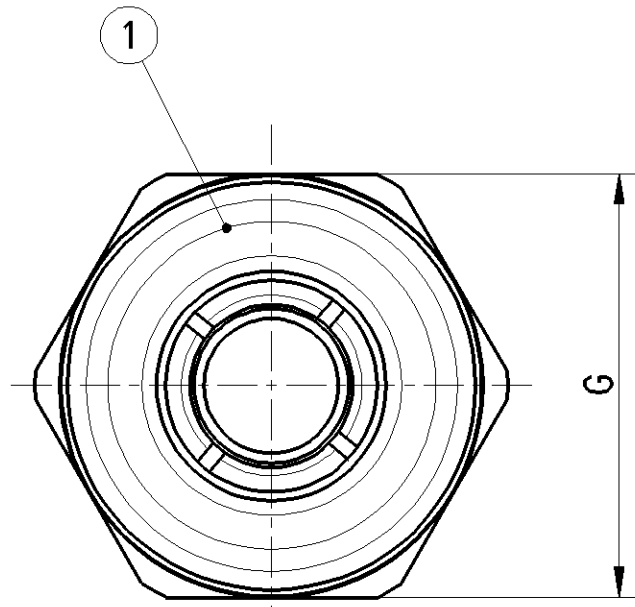
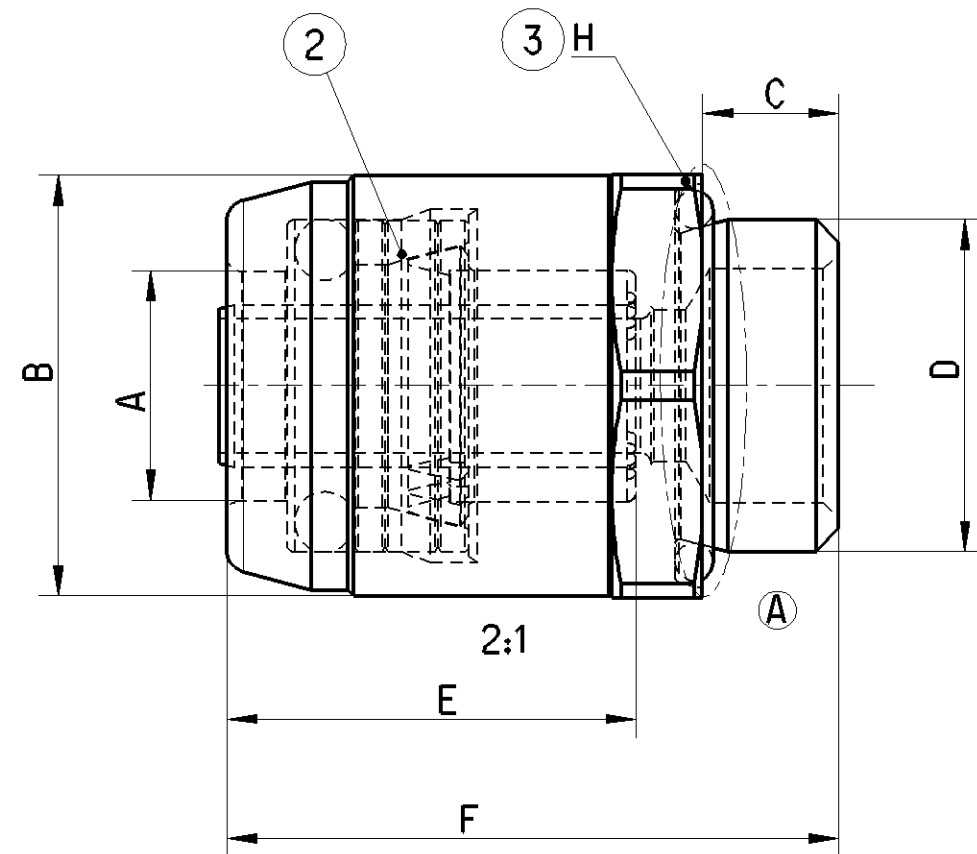
Non e permesso consegnare a terzi o riprodurre questo documento, ne utilizzare il contenuto o renderlo comunque noto a terzi senza autorizzazione esplicita. Ogni infrazione costituirà un evidente abuso e comporterà il risarcimento dei danni subiti. E' fatto riserva di tutti i diritti derivanti da brevetti o modelli.

Copying of this document and giving it to others and the use or communication of the contents thereof, are forbidden without express authority. Controvention of this restriction will constitute an evident abuse and result in a liability to the payment of damages. All rights are reserved in the event of the grant of patent or registration of a utility model or design. This document is the subject of copyright.

Toute communication ou reproduction de ce document, toute exploitation ou communication de son contenu sont interdites, sauf autorisation expresse. Tout manquement a cette regle constitue un abus evident et expose son auteur au versement de dommages et interets. Tous droits de propriete industrielle reserves, notamment en matiere de brevets et de modesles.

Weitergabe sowie Vervielfaeligung dieser Unterlage, Verwertung und Mitteilung ihres Inhalts nicht gestattet, soweit nicht ausdruecklich zugestanden. Zuwiderhandlungen stellen einen offensichtlichlichen Misbrauch dar und verpflichten zu Schadensersatz. Alle Rechte fuer den Fall der Patentierung oder Gebrauchsmuster-Eintragung vorbehalten.

1	2	3	4	5	6	7	8
A	B	C	D	E	F	G	H
for Tube $\varnothing 15 \times 2$	$\varnothing 27,85^{+0}_{-0.15}$	9 ± 0.2	M22x1,5 tightening torque: 34 Nm $\pm 10\%$	27 Push in length	40,5	Hex. $28^{+0}_{-0.2}$	with O-ring
	(A)	(A)	(A)			(A)	



Cleanliness requirement:

No particles >1mm allowed acc. to mandatory standard: JED-334 and JED-593

Area: for the whole part (Special agreements possible; to be agreed with Product Engineering)

Material:

- ① CuZn
- ② CuZn/EPDM (inner components)
- ③ EPDM

General Specification : JED-762 ; JED-622 ; JED-220

Engineering related agreements with Supplier have to be mentioned in the "Release of Supplier"

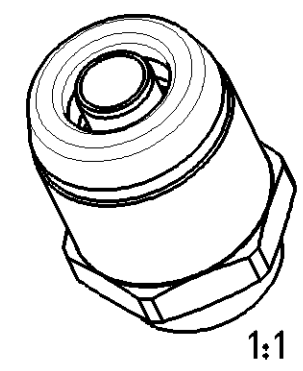
For use in application in air brake system in commercial vehicles :

- with compressed air acc. JED-848

- at working conditions:

- -40 °C ... 100 °C
- max. 15 bar

(A)



General Specification: JED-334-1, Size ISO 14405 LP		Copyright WABCO®		WABCO		
Further Technical Data:		Date	Signature			
Doc. Code:	Sheet: To	Drawn		Push in Coupling		
General Tolerances JED-261		2020-11-20	Balago			
Range of Nominal Dimensions (± mm)		Checked		Date of first issue: 2015-12-04		
Class 1)	≤ 50 > 50 > 180 > 180 > 400 > 400	2021-01-13	Szczulkowski			
Fine	X 0.5 1.0 1.5 2.0	Expert		Material No. 893 803 033 0		
Medium	1.0 2.0 3.0 4.0	Szczulkowski				
Coarse	2.0 3.5 5.0 6.5	Mass	Scale	Date of first issue: 2015-12-04		
Tapped Holes acc. -		0.110 KG	2:1 (1:1)	Doc.Code	Language	Sheet
1) Tolerance Class Applied Crossmarked		Size	CAD System	005	EN	1/1
		A 3	CREO	ECN-No.	Revision	Techn. Resp.
				503490	7 x A	5790
				Replacement for		