

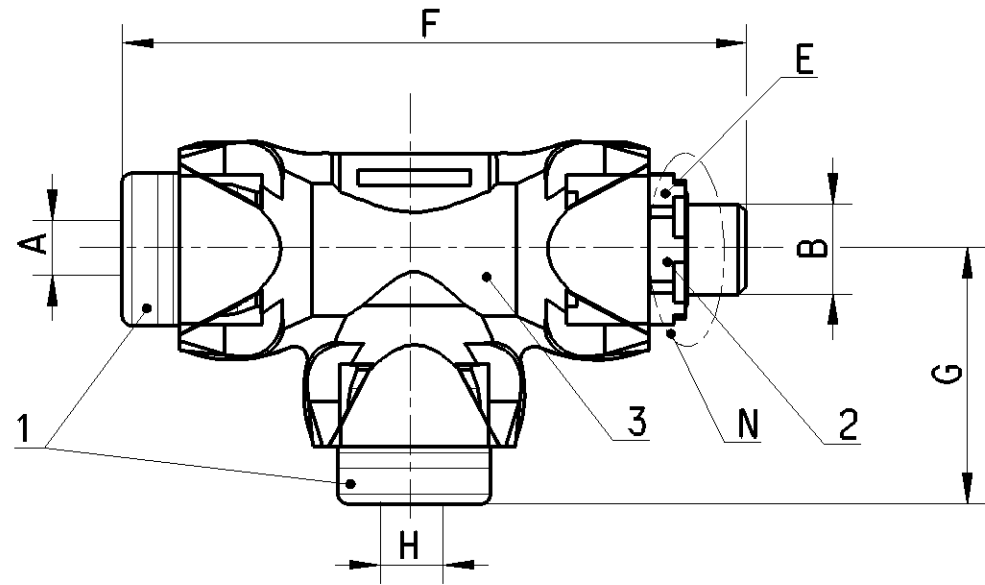
Non e permesso consegnare a terzi o riprodurre questo documento, ne utilizzare il contenuto o renderlo comunque noto a terzi senza autorizzazione esplicita. Ogni infrazione costituira un evidente abuso e comportera il risarcimento dei danni subiti. E' fatto riserva di tutti i diritti derivanti da brevetti o modelli.

Copying of this document and giving it to others and the use or communication of the contents thereof, are forbidden without express authority. Controvention of this restriction will constitute an evident abuse and result in a liability to the payment of damages. All rights are reserved in the event of the grant of patent or registration of a utility model or design. This document is the subject of copyright.

Toute communication ou reproduction de ce document, toute exploitation ou communication de son contenu sont interdites, sauf autorisation expresse. Tout manquement a cette regle constitue un abus evident et expose son auteur au versement de dommages et interets. Tous droits de propriete industrielle reserves, notamment en matiere de brevets et de modesles.

Weitergabe sowie Vervielfaeligung dieser Unterlage, Verwertung und Mitteilung ihres Inhalts nicht gestattet, soweit nicht ausdruecklich zugestanden. Zuwiderhandlungen stellen einen offensichtlichlichen Misbrauch dar und verpflichten zu Schadenersatz. Alle Rechte fuer den Fall der Patenterteilung oder Gebrauchsmuster-Eintragung vorbehalten.

1	2	3	4	5	6	7	8				
A	B	C	D	E	F	G	H	I	N	O	R
TUBE 8x1 NO SLIP OUT OF TUBE POSSIBLE.	M12x1,5		HEX.18	82 +/- 3	33 +/-3	TUBE 8x1 NO SLIP OUT OF TUBE POSSIBLE.		WITH O-RING			
				(B)	(B)						

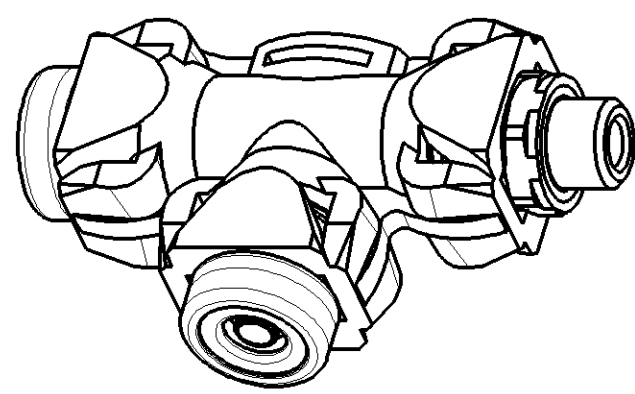


NOTE:

1. ASSEMBLY WITHOUT TIGHTNESS TEST, CHECK THE PROPER AND ACCURATE CONNECTION OF THE COMPONENTS BEFORE USE.

GENERAL SPECIFICATION : JED-762 ; JED-271; JED-622 ; JED-220

POS	DENOMINATION	PRODUCT NUMBER	MATERIAL	QTY
(B)1	QUICK COUPLING	893 800 091 2	CuZn, EPDM PA	02
(B)2	QUICK COUPLING	893 920 314 2	CuZn, EPDM	01
(B)3	T-PIECE	893 503 072 4	PA	01



General Specification: JED-334-1 , Size ISO 14405 LP		Copyright WABCO®		WABCO	
Further Technical Data:		Date	Signature		
Doc. Code:	Sheet:	To	Drawn		FITTING MODULE
General Tolerances JED-261			2021-02-19	Bolago	
Range of Nominal Dimensions (± mm)			Checked		
Class 1) ≤ 50 > 50 ≤ 180 > 180 ≤ 400 > 400			2021-02-19	Szczulkowski	
Fine 0.5 1.0 1.5 2.0			Expert		
Medium X 1.0 2.0 3.0 4.0 ±3°			Szczulkowski		
Coarse 2.0 3.5 5.0 6.5			Mass	Scale	Material No.
Tapped Holes acc.			0.073	1:1	893 831 211 0
1) Tolerance Class Applied Crossmarked			(B) KG		Date of first issue: 2011-05-06
			Size	CAD System	Doc.Code Language Sheet
			A 3	CREO	005 EN 1/1
			ECN-No. Revision Techn. Resp.		Replacement for
			505237	6x B	5790