

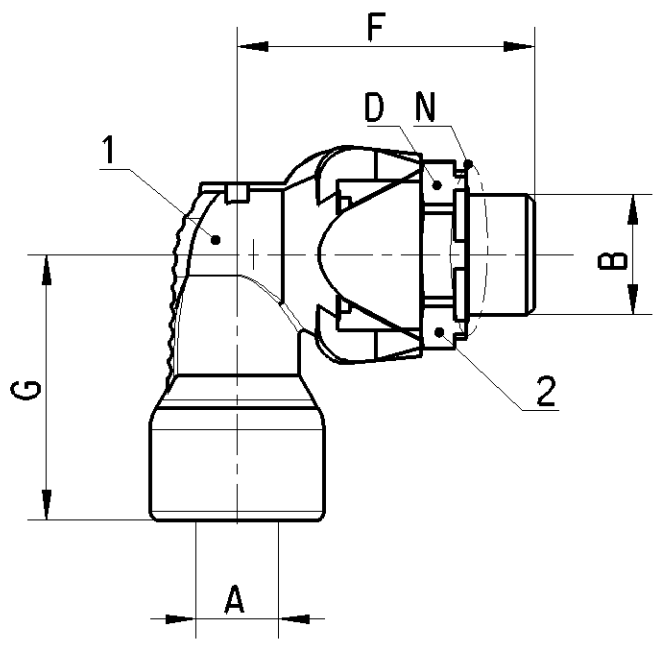
Non e permesso consegnare a terzi o riprodurre questo documento, ne utilizzare il contenuto o renderlo comunque noto a terzi senza autorizzazione esplicita. Ogni infrazione costituira un evidente abuso e comportera il risarcimento dei danni subiti. E' fatto riserva di tutti i diritti derivanti da brevetti o modelli.

Copying of this document and giving it to others and the use or communication of the contents thereof, are forbidden without express authority. Controvention of this restriction will constitute an evident abuse and result in a liability to the payment of damages. All rights are reserved in the event of the grant of patent or registration of a utility model or design. This document is the subject of copyright.

Toute communication ou reproduction de ce document, toute exploitation ou communication de son contenu sont interdites, sauf autorisation expresse. Tout manquement a cette regle constitue un abus evident et expose son auteur au versement de dommages et interets. Tous droits de propriete industrielle reserves, notamment en matiere de brevets et de modesles.

Weitergabe sowie Vervielfaeligung dieser Unterlage, Verwertung und Mitteilung ihres Inhalts nicht gestattet, soweit nicht ausdruecklich zugestanden. Zuwiderhandlungen stellen einen offensichtlichen Missbrauch dar und verpflichten zu Schadenersatz. Alle Rechte fuer den Fall der Patenterteilung oder Gebrauchsmuster-Eintragung vorbehalten.

1	2	3	4	5	6	7	8
A	B	C	D	E	F	G	N
TUBE 10x1	M16x1,5		HEX.22		39 +/- 3	35 +/-3	WITH O-RING
NO SLIP OUT OF TUBE POSSIBLE.					ⓑ	ⓑ	

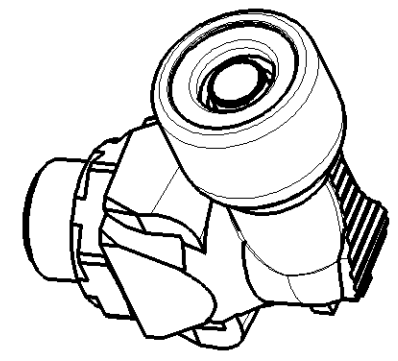


NOTE:

1. ASSEMBLY WITHOUT TIGHTNESS TEST, CHECK THE PROPER AND ACCURATE CONNECTION OF THE COMPONENTS BEFORE USE.

GENERAL SPECIFICATION : JED-762 ; JED-271; JED-622 ; JED-220

POS	DENOMINATION	PRODUCT NUMBER	MATERIAL	QTY
ⓑ 1	QUICK COUPLING	893 920 325 2	CuZn, EPDM, PA	01
ⓑ 2	QUICK COUPLING	893 920 317 2	CuZn, EPDM	01



General Specification: JED-334-1 , Size ISO 14405 LP		Copyright WABCO®		WABCO FITTING MODULE		
Further Technical Data:		Date	Signature			
Doc. Code:	Sheet: To	Drawn	2021-02-19 Bolago			
General Tolerances JED-261		Checked	2021-02-19 Szczutkowski			
Range of Nominal Dimensions (± mm)		Expert		Material No.		
Class 1)	≤ 50	> 50 ≤ 180	> 180 ≤ 400	> 400	±3°	
Fine	0.5	1.0	1.5	2.0	ⓑ 0.057 KG	
Medium	1.0	2.0	3.0	4.0		1:1
Coarse	2.0	3.5	5.0	6.5		
Tapped Holes acc. JED-152		Mass	Scale	Date of first issue: 2011-05-13		
1) Tolerance Class Applied Crossmarked		Size	CAD System	893 831 297 0		
		A 3	CREO	ECN-No.	Revision	
				505237	5 x B	
				Techn. Resp.	5790	
				Replacement for		
				-		

drw: 8938312970_005 / Version: -1 / State: In Work / mdt: 8938312970_005_A02
 E
 F