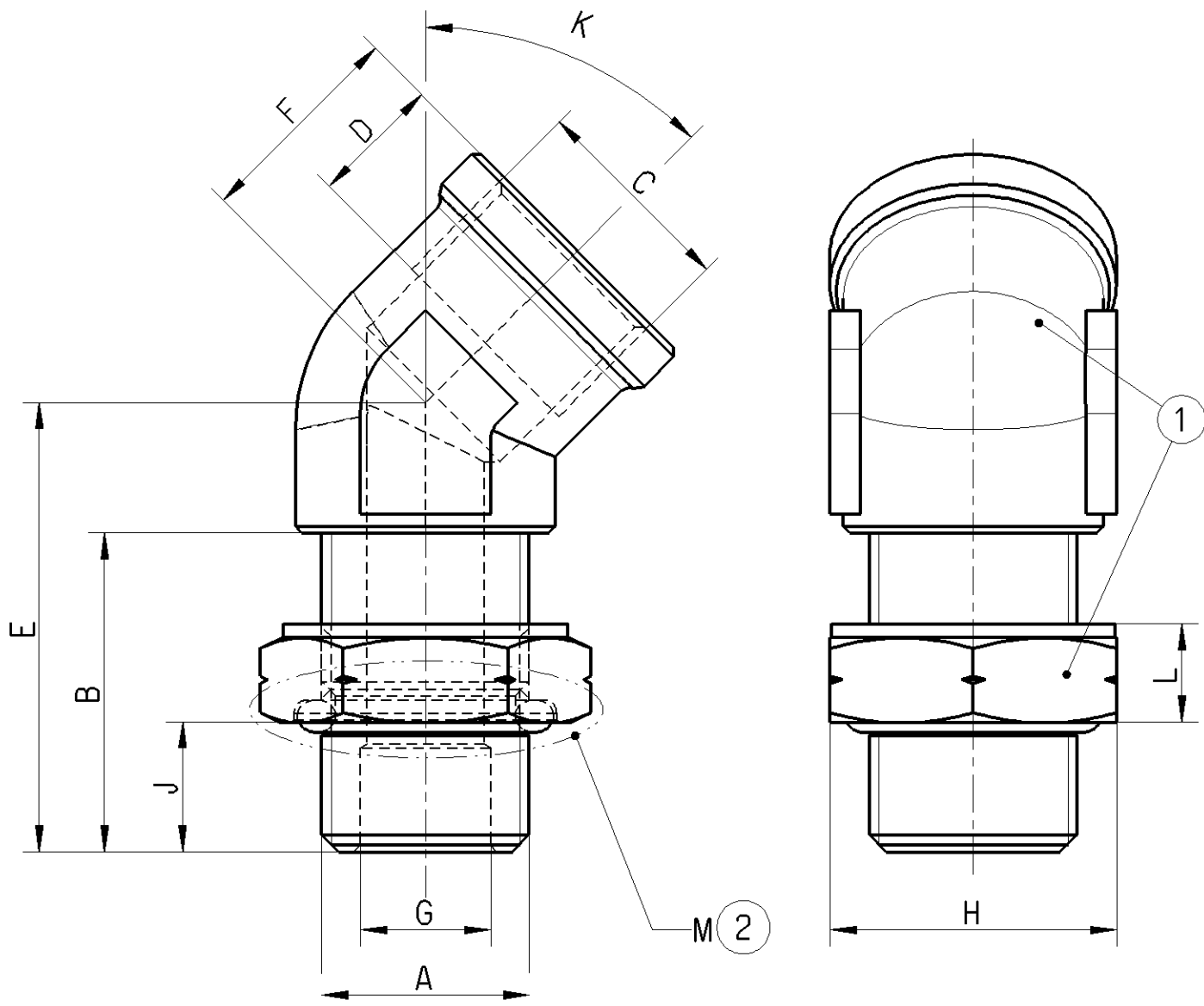


Non e permesso consegnare a terzi o riprodurre questo documento, ne utilizzare il contenuto o renderlo comunque noto a terzi senza autorizzazione esplicita. Ogni infrazione costituirà un evidente abuso e comporterà il risarcimento dei danni subiti. E' fatto riserva di tutti i diritti derivanti da brevetti o modelli. Copying of this document and giving it to others and the use or communication of the contents thereof, are forbidden without express authority. Contravention of this restriction will constitute an evident abuse and result in a liability to the payment of damages. All rights are reserved in the event of the grant of patent or registration of a utility model or design. This document is the subject of copyright.

Toute communication ou reproduction de ce document, toute exploitation ou communication de son contenu sont interdites, sauf autorisation expresse. Tout manquement a cette regle constitue un abus evident et expose son auteur au versement de dommages et interets. Tous droits de propriete industrielle reserves, notamment en matiere de brevets et de modesles. Weitergabe sowie Vervielfaeligung dieser Unterlage, Verwertung und Mitteilung ihres Inhalts nicht gestattet, soweit nicht ausdru cklich zugestanden. Zuwiderhandlungen stellen einen offensichtlichen Missbrauch dar und verpflichten zu Schadenersatz. Alle Rechte fuer den Fall der Patentierung oder Gebrauchsmuster-Eintragung vorbehalten.

1	2	3	4	5	6	7	8				
A	B	C	D	E	F	G	H	J	K	L	M
M16x1.5 TIGHTENING TORQUE 30Nm (35Nm)	24.5 USEFUL THREAD: 22.5 A	M16x1.5	10	34.5	16.5	Ø10	HW 22	10	45°	7.5	WITH O-RING



**CLEANLINESS REQUIREMENT:**

NO PARTICLES >1MM ALLOWED ACC. TO MANDATORY STANDARD:  
JED-334 AND JED-593

AREA: FOR THE WHOLE PART (SPECIAL AGREEMENTS POSSIBLE:  
TO BE AGREED WITH PRODUCT ENGINEERING)

**MATERIAL:**

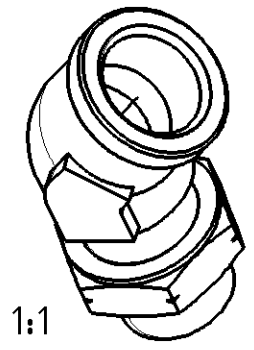
- 1 CuZn
- 2 EPDM

GENERAL SPECIFICATION : JED-762 ; JED-622 ; JED-271 ; JED-220

ENGINEERING RELATED AGREEMENTS WITH SUPPLIER HAVE TO BE MENTIONED  
IN THE "RELEASE OF SUPPLIER"

FOR USE IN APPLICATION IN COMPRESSED AIR SYSTEMS IN **A**

- COMMERCIAL VEHICLES:**
- WITH COMPRESSED AIR ACC. TO JED-848
  - AT WORKING CONDITIONS:
    - -40°C ... 100°C
    - MAX. 13 bar



General Specification: JED-334-O , Size ISO 14405-1 E		Copyright WABCO®		<b>WABCO</b>		
Further Technical Data: 893 000 001 0		Date	Signature			
Doc. Code: Sheet: To		Drawn		Elbow with nut		
General Tolerances JED-261		2016-07-08 Szczulkowski				
Range of Nominal Dimensions ( ± mm)		Checked		Date of first issue: <b>2013-07-26</b>		
Class 1) ≤ 50 > 50 ≤ 180 > 180 ≤ 400 > 400		2016-07-25 Zychla				
Fine X 0.5 1.0 1.5 2.0		Expert		Material No. 893 831 747 0		
Medium 1.0 2.0 3.0 4.0 ±3°		A Szczulkowski				
Coarse 2.0 3.5 5.0 6.5		Mass	Scale	Doc.Code Language Sheet		
Tapped Holes acc. -		0.085 KG	2:1 A(1:1)	005 EN 1/1		
1) Tolerance Class Applied Crossmarked		Size	CAD System	Replacement for		
		A 3	CREO	ECN-No. 170443	Revision 5x	Techn. Resp. A 5790

draw: 893831747...005 / Version: A.3 / State: Under Review / m...893831747...A02