

Non e permesso consegnare a terzi o riprodurre questo documento, ne utilizzare il contenuto o renderlo comunque noto a terzi senza autorizzazione esplicita. Ogni infrazione costituisce un evidente abuso e comportera il risarcimento dei danni subiti. E' fatta riserva di tutti i diritti derivanti da brevetti o modelli.

Toute communication ou reproduction de ce document, toute exploitation ou communication de son contenu sont interdites, sauf autorisation expresse. Tout manquement a cette regle constitue un abus evident et expose son auteur au versement de dommages et interets. Tous droits de proprieete industrielle reserves, notamment en matiere de brevets et de modesles.

Weitergabe sowie Vervielfaeltigung dieser Unterlage, Verwertung und Mitteilung ihres Inhalts nicht gestattet, soweit nicht ausdruecklich zugestanden. Zuwiderhandlungen stellen einen offensichtlichlichen Missbrauch dar und verpflichten zu Schadensersatz. Alle Rechte fuer den Fall der Patenterteilung oder Gebrauchsmuster-Eintragung vorbehalten.

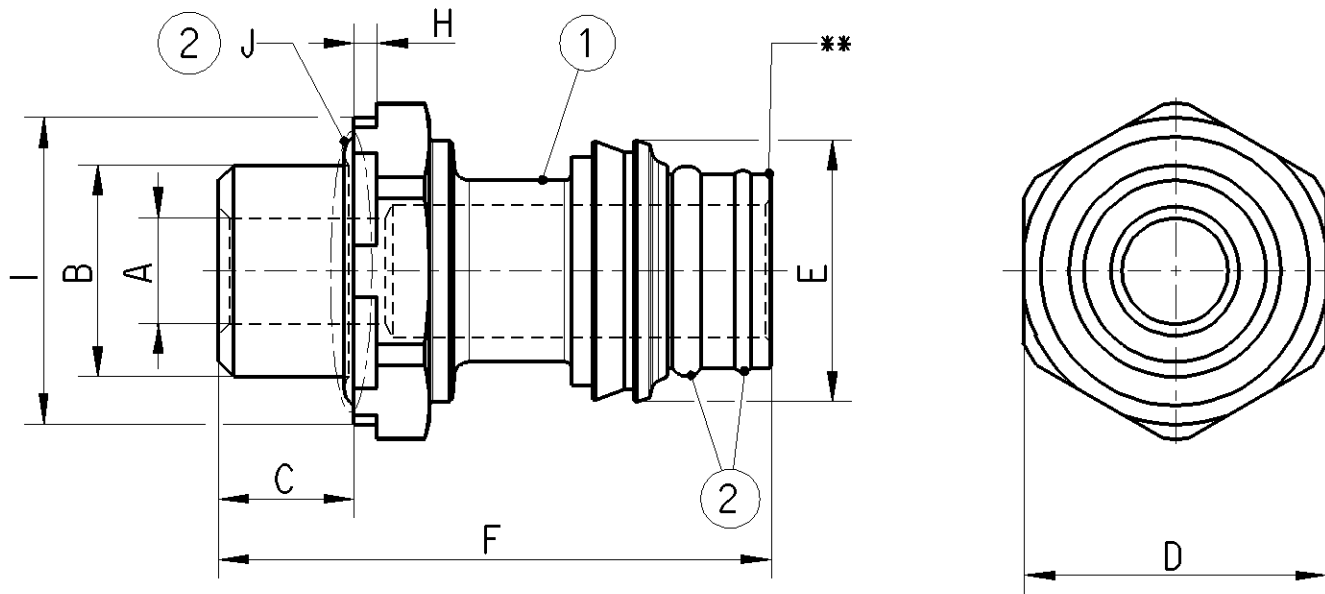
1	2	3	4	5	6	7	8		
A	B	C	D	E	F	G	H	I	J
Ø7 ***	M14x1,5 *	9	Hex.20	Ø17,3	36,6	24Nm (28Nm)	1,5	Ø20,3	with O-ring

- * Shall be directly tightened into the thread: DIN 3852;ISO 6149;ISO 4039-1;ISO4039-2 and VOSS part geometry
- G : recommended torque without lubrication (max. torque) respect max torque of counter part
- ** circular sealing edge free from scratches or damages
- *** min. inside diameter

Cleanliness requirement:
Class: KOO according JED-593
Area: for the whole part (Special agreements possible; to be agreed with Product Engineering)

Material:

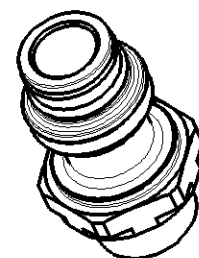
- ① CuZn
- ② EPDM



General Specification : JED-762 ; JED-622 ; JED-271 ; JED-220
Engineering related agreements with Supplier have to be mentioned in the "Release of Supplier"

For use in application in compressed air systems in commercial vehicles :

- with Polyamind or Hytel tubes acc. ISO7628; DIN74324, DIN73378
- with compressed air acc. JED-848
- at working conditions (consider tube spec.) :
 - -40 °C ... 100 °C (storage 130 °C max. 2h)
 - max. 1250kPa



1:1

General Specification: JED-334-1 , Size ISO 14405 LP				Copyright WABCO®		WABCO					
Further Technical Data:				Date	Signature						
Doc. Code:		Sheet:	To	Drawn		Quick Coupling					
				2015-03-12	Nerling						
General Tolerances				Checked					Date of first issue: 2015-03-13		
Range of Nominal Dimensions (± mm)				Expert							
Class	1)	≤ 50	> 50 ≤ 180	> 180 ≤ 400	> 400	Material No.					
Fine	X	0.5	1.0	1.5	2.0	893 920 315 2					
Medium		1.0	2.0	3.0	4.0	Date of first issue: 2015-03-13					
Coarse		2.0	3.5	5.0	6.5	Doc.Code Language Sheet					
Tapped Holes acc. -				Mass	Scale	893 920 315 2					
1) Tolerance Class Applied Crossmarked				0.034 KG	2:1 1:1	005 EN 1/1					
				Size	CAD System	Replacement for					
				A 3	CREO	893 920 329 2_053					
				ECN-No. Revision Techn. Resp.		5790					

100mm