

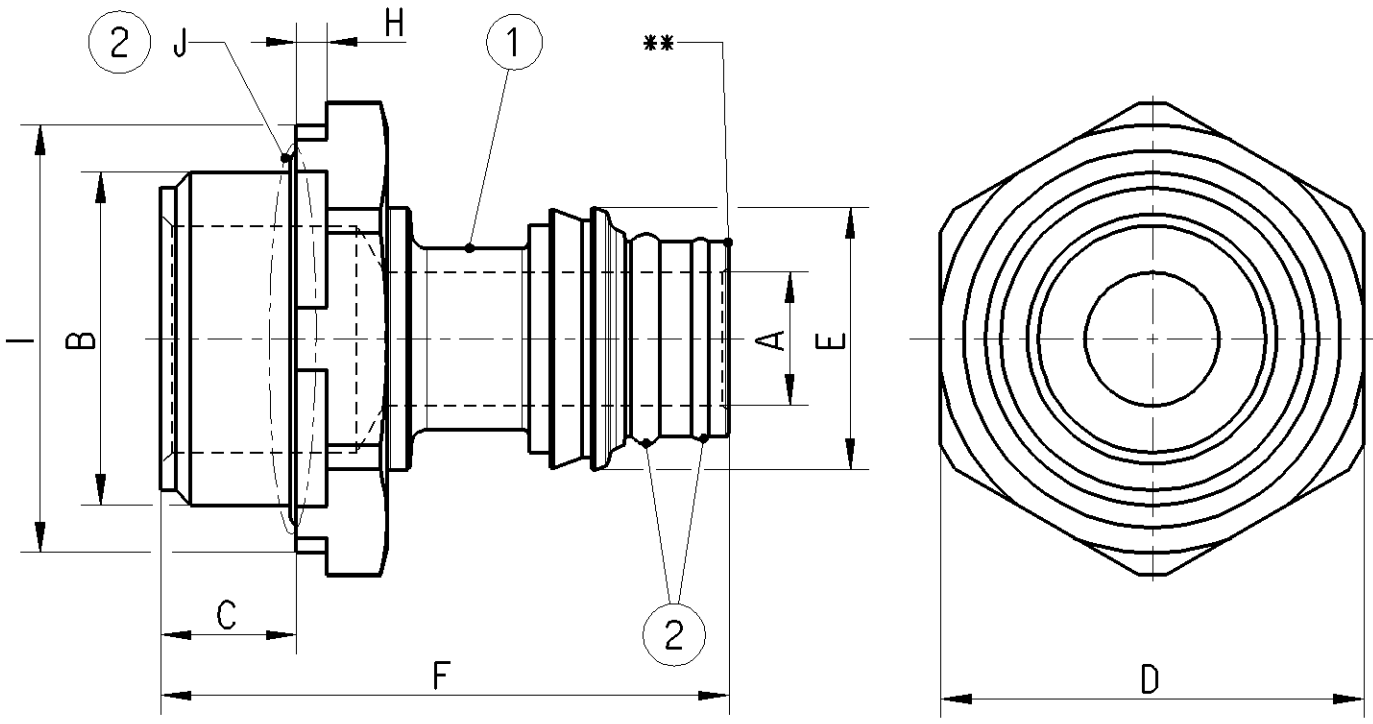
|             |              |   |        |       |      |                |   |       |             |
|-------------|--------------|---|--------|-------|------|----------------|---|-------|-------------|
| A           | B            | C | D      | E     | F    | G              | H | I     | J           |
| Ø8,8<br>*** | M22x1,5<br>* | 9 | Hex.28 | Ø17,3 | 37,6 | 34Nm<br>(40Nm) | 2 | Ø28,3 | with O-ring |

\* Shall be directly tightened into the thread: DIN 3852;ISO 6149;ISO 4039-1;ISO4039-2 and VOSS part geometry  
 G : recommended torque without lubrication (max. torque) respect max torque of counter part  
 \*\* circular sealing edge free from scratches or damages  
 \*\*\* min. inside diameter

Cleanliness requirement:  
 Class: K00 according JED-593  
 Area: for the whole part (Special agreements possible; to be agreed with Product Engineering)

Material:

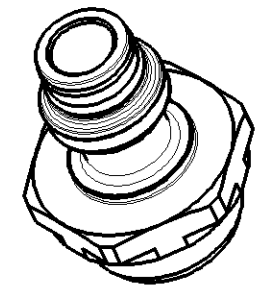
- ① CuZn
- ② EPDM



General Specification : JED-762 ; JED-622 ; JED-271 ; JED-220  
 Engineering related agreements with Supplier have to be mentioned in the "Release of Supplier"

For use in application in compressed air systems in commercial vehicles :

- with Polyamid or Hytrel tubes acc. ISO7628; DIN74324, DIN73378
- with compressed air acc. JED-848
- at working conditions (consider tube spec.) :
  - -40 °C ... 100 °C (storage 130 °C max. 2h)
  - max. 1250kPa



|  |  |        |  |                  |            |   |  |  |                |  |  |                    |  |  |
|--|--|--------|--|------------------|------------|---|--|--|----------------|--|--|--------------------|--|--|
| General Specification: JED-334-1 , Size ISO 14405 LP |  |        |  | Copyright WABCO® |            | <b>WABCO</b>                                  |  |  |                |  |  |                    |  |  |
| Further Technical Data:                              |  |        |  | Date             | Signature  |   |  |  | Quick Coupling |  |  |                    |  |  |
| Doc. Code:   |  | Sheet: |  | Drawn            |            | 2015-03-12 Nerling                            |  |  |                |  |  |                    |  |  |
|  |  |        |  | Checked          |            |   |  |  |                |  |  | 2015-03-13 Stephan |  |  |
|  |  |        |  | Expert           |            |   |  |  |                |  |  |                    |  |  |
|  |  |        |  | Mass             | Scale      | Material No.                                  |  |  |                |  |  |                    |  |  |
|  |  |        |  | 0.051 KG         | 2:1<br>1:1 | 893 920 318 2                                 |  |  |                |  |  |                    |  |  |
|  |  |        |  | Size             | CAD System | Date of first issue: 2015-03-13               |  |  |                |  |  |                    |  |  |
|  |  |        |  | A 3              | CREO       | Doc.Code Language Sheet                       |  |  |                |  |  |                    |  |  |
|  |  |        |  |                  |            | 005 EN 1/1                                    |  |  |                |  |  |                    |  |  |
|  |  |        |  |                  |            | ECN-No. Revision Techn. Resp. Replacement for |  |  |                |  |  |                    |  |  |
|  |  |        |  |                  |            | - - 5790 893 920 329 2_053                    |  |  |                |  |  |                    |  |  |

Non e permesso consegnare a terzi o riprodurre questo documento, ne utilizzare il contenuto o renderlo comunque noto a terzi senza autorizzazione esplicita. Ogni infrazione costituisce un evidente abuso e comportera il risarcimento dei danni subiti. E' fatta riserva di tutti i diritti derivanti da brevetti o modelli. Copying of this document and giving it to others and the use or communication of the contents thereof, are forbidden without express authority. Contravention of this restriction will constitute an evident abuse and result in a liability to the payment of damages. All rights are reserved in the event of the grant of patent or registration of a utility model or design. This document is the subject of copyright.