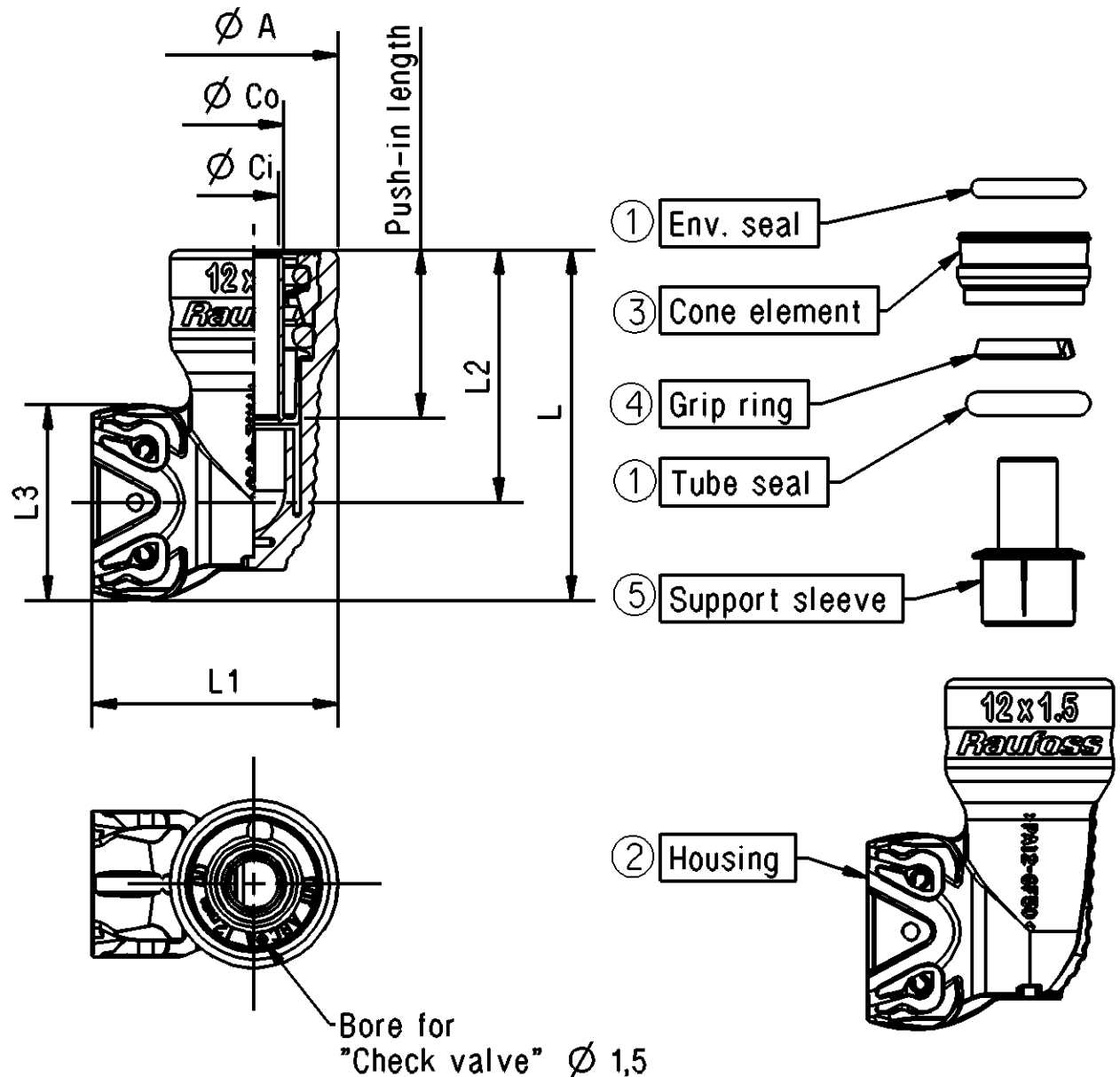


RA DAK/CAD UP	Symb.	Rev./Sgr.	Forandring/Revision	Em.nr./ECO.no.	Date/Date/Sign.	Gk./App.
	M		Dimensions corrected	3201881	2011-12-19/ErMo	GeKr



WABCO PART NUMBER	RAUFOSS CODE	SIZE	TUBE DIMENSION	A	Co	Ci	L	L1	L2	L3	PUSH-IN LENGTH	WEIGHT [g]	
				Tolerance		± 0,25	-	± 0,1	± 0,3	± 0,3	-	-	
8939203212	90306004	Small	6x1	18,2	(3,8)	2,75	44,9	26,8	(32,4)	(25)	(19,5)	12	
8939203232	90308004		8x1	20,2	(5,8)	4,75	46,1	27,8	(33,6)	(20,5)	12		
8939203222	90306005	Regular	6x1	18,2	(3,8)	2,75	45,6	29,7	(31)	(29,2)	(19,5)	14	
8939203242	90308005		8x1	20,2	(5,8)	4,75	47,7	30,7	(33,1)		(20,5)	17	
* 8939203252	90310005		10x1			(7,75)	6,75					18	
8939203792	90310105		10x1,25	23		(7,25)	6,2	49,8	35,8		(35,2)	(24)	18
# 8939203802	90310205		10x1,5		(6,75)	5,7					19		
8939203262	90312205	Heavy Duty	12x1,5	25	(8,75)	7,7	52,2	36,7	(37,6)		(25)	19	
* 8939203272	90315006		15x1,5	29,3		(11,85)	10,34	62,6	38,8	(45,5)	(34,2)	(27)	36
8939203282	90316006		16x2	30,3				39,3				35	

WORKING TEMPERATURE: -40°C/+100°C  
 \* FOR 15x1,5mm AND 10x1,0mm TUBE -40°C/+60°C  
 WORKING PRESSURE: 0 - 12,5 bar  
 OPERATING MEDIUM: COMPRESSED AIR  
 # - PRELIMINARY DIMENSIONS

Sik.no./Pos.no.		Gjenstand/Object/Dim.		Anl.No./pr.søtt	Matr.	Dim./Vekt av emne/Materialweight	Norm nr./no.	Anmerking/Note
Tgn./Drw.	MaG	07-04-16	Proj.	Gen. ruhet/roughness	Gen. toler.	Målestokk/Scale	Rel. tegn./Rel. drawing	
Ktrl./Ctrl.	EP	07-04-16	Erstating/Replacement for:	Erstattet av/Replaced by:				
Klr./Clr.								
Gk./App.	JaES	07-04-18			<b>RAUFOSS ABC</b> Integral Push-In Coupling Design Record - General 001-1293-M Arkiv nr./File no.      Sign.			

Cleanliness requirement:  
 Class: K00 according JED-593  
 Area: for the whole part (Special agreements possible; to be agreed with Product Engineering)

No	Part	Material
1	SEALS	EPDM
2	HOUSING	PA
3	CONE ELEMENT	PA
4	GRIP RING	CuZn
5	SUPPORT SLEEVE	PA

Raufoss ABC couplings can be used with polyamide (PA 6.10, PA 10.10, PA 10.12, PA 11, PA 12) or Hytrel tubing to one of the following standards:  
 - ISO 7628  
 - DIN 74324  
 - DIN 73378  
 - SAE J844

Peak-temperature up to +130 °C (pressure less, for a period of approximately 2 hours.)

Please take into consideration the max allowed tube operation pressure.

Raufoss ABC couplings from Kongsberg Automotive is approved and certified by: TÜV Nord

For any further specific requirements, applications of our product or support for technical solutions, please ask for individual consultation from Kongsberg Automotive, our subsidiary Kongsberg Raufoss Distribution SAS.

Suitable for use in air brake systems for commercial vehicles  
 General Specification : JED-762 ; JED-622 ; JED-271 ; JED-220  
 Engineering related agreements with Supplier have to be mentioned in the "Release of Supplier"

General Specification: JED-334-0, Size ISO 14405-1 E		Copyright WABCO®		<b>WABCO</b>	
Further Technical Data: 893 000 001 0		Date	Signature	Quick coupling	
Doc. Code: 035	Sheet: To	2013-08-28	Saravanan		
General Tolerances JED-261		Checked			
Range of Nominal Dimensions ( ± mm)		2013-09-09		Kaufmann	
Class 1)	≤ 50	> 50 ≤ 180	> 180 ≤ 400	> 400	
Fine	0,5	1,0	1,5	2,0	±3°
Medium	1,0	2,0	3,0	4,0	
Coarse	2,0	3,5	5,0	6,5	
Tapped Holes acc. -		Mass	Scale	Material No.	Date of first issue:
1) Tolerance Class Applied Crossmarked		Size	CAD System	893 920 333 2	Doc.Code Language Sheet
		A 2	Pro/E	053 EN 1/1	
		ECN-No.	Revision	Techn. Resp.	Replacement for
		-	-	5790	

Non e permesso consegnare o terzi o riprodurre questo documento, ne utilizzare il contenuto o renderlo comunque noto a terzi senza permesso scritto dalla Raufoss. E' vietata espressamente la ristampa o l'uso non autorizzato di questo documento. Toute communication ou reproduction de ce document, toute exploitation ou communication de son contenu sont interdites, sauf autorisation expresse. Toute communication ou reproduction de ce document, toute exploitation ou communication de son contenu sont interdites, sauf autorisation expresse.

Toute communication ou reproduction de ce document, toute exploitation ou communication de son contenu sont interdites, sauf autorisation expresse. Toute communication ou reproduction de ce document, toute exploitation ou communication de son contenu sont interdites, sauf autorisation expresse.