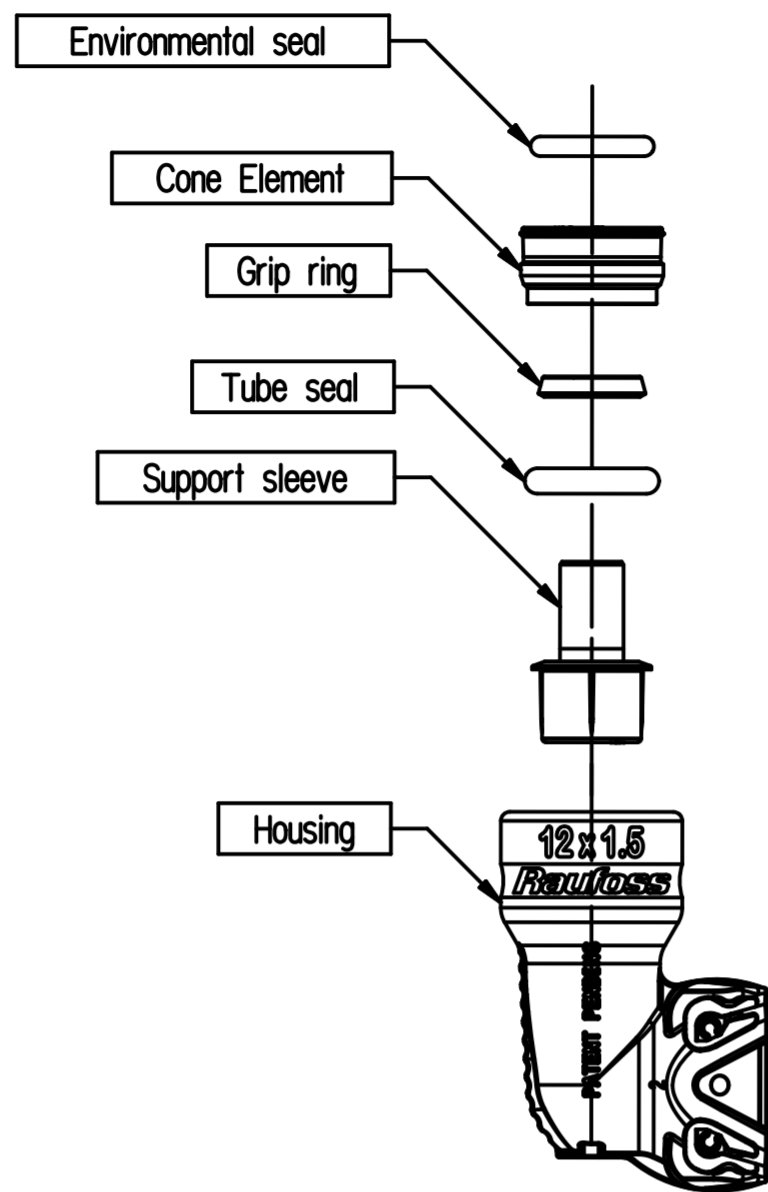
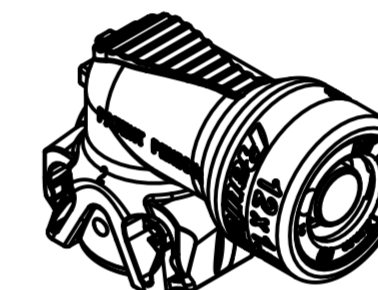
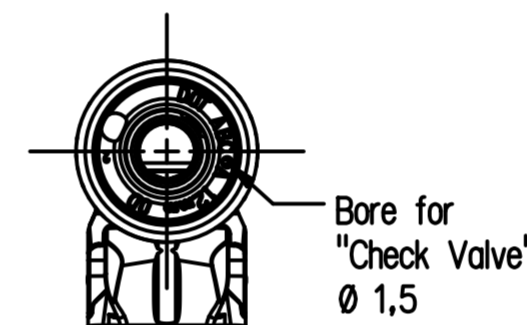
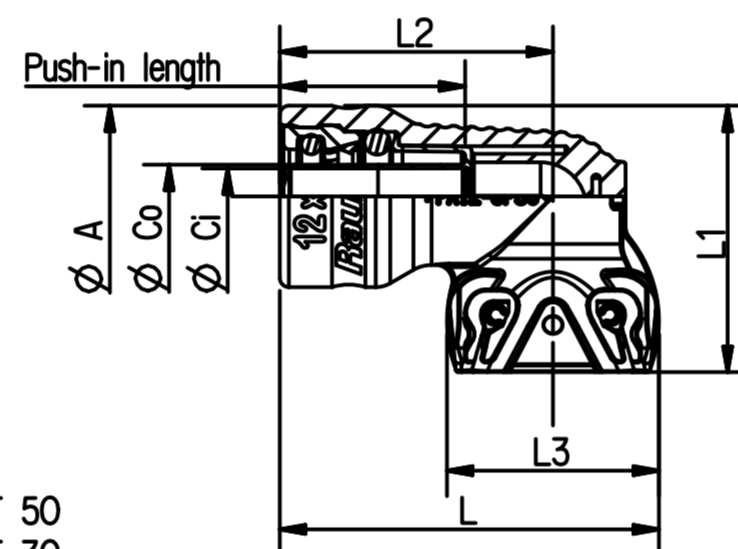


<1> SAFETY CHARACTERISTICS	0
<2> SIGNIFICANT CHARACTERISTICS	0
<C1> CUSTOMER INTERFACE	0



Note	ZF PART.NO.	SIZE	TUBE DIMENSION	A	Co	Ci	L	L1	L2	L3	PUSH-IN LENGTH	WEIGHT [g] THEORETICAL	
	Tolerance			±0,25	-	±0,1	±0,3	±0,3			-		
	8939203212	Small	6x1	18,2	(3,8)	2,75	44,9	26,8	(32,4)	(25)	(19,5)	(11)	
	8939203232		8x1	20,2	(5,8)	4,75	46,1	27,8	(33,6)		(20,5)	(13)	
	8939203222	Regular	6x1	18,2	(3,8)	2,75	45,6	29,7	(31)	(29,2)	(19,5)	(15)	
	8939203242		8x1	20,2	(5,8)	4,75	47,7	30,7	(33,1)		(20,5)		
①	8939203252		10x1		(7,75)	6,75					(24)		(18)
	8939203792		10x1,25	23	(7,25)	6,2	49,8	35,8	(35,2)				
②	8939203802	10x1,5		(6,75)	5,7				(25)	(20)			
	8939203262	Heavy Duty	12x1,5	25	(8,75)	7,7	52,2	36,7	(37,6)	(34,2)	(27)	(36)	
①③	8939203272		15x1,5	29,3	(11,85)	10,34	62,6	38,8	(45,5)		(27)	(36)	
	8939203282		16x2	30,3				39,3			(35)		



Material of seals: EPDM
 Material of housing: PA 12 GF 50
 Material of cone element: PA 12 GF 30
 Material of grip ring: CuZn39Pb3
 Material of support sleeve: PA 6.6 GF 30
 Working temperature: -40°C / +100°C
 Working pressure: 0 - 12,5 bar
 Operating medium: compressed air

Notes
 ① For 15x1,5mm and 10x1,0 mm tube: -40°C / +60°C
 ② Preliminary dimensions
 ③ No "Check Valve"

Cleanliness requirement:

Class: K00 according JED-593

Area: for the whole part (Special agreements possible; to be agreed with Product Engineering)

Suitable for use in air brake systems for commercial vehicles

General Specification : JED-762 ; JED-622 ; JED-271 ; JED-220

Rauffoss ABC couplings can be used with polyamide (PA 6.10, PA 10.10, PA 10.12, PA 11, PA 12) or Hytrel tubing to one of the following standards:

- ISO 7628
- DIN 74324
- DIN 73378
- SAE J844

Peak-temperature up to +130 °C (pressureless, for a period of approximately 2 hours.)

Please take into consideration the max allowed tube operation pressure.

General Specification: ISO 8015, JED-334-1, Size ISO 14405 LP		Copyright ZF®							
Further Technical Data:		Date	Signature						
Doc. Code:	Sheet:	To		2024-01-15	Balaga				
General Tolerances JED-261		Checked		2024-01-19	Bulaj				
Range of nominal dimensions in mm		Dimensions in mm		Material No.					
Class	1) ≤ 50	> 50 ≤ 180	> 180 ≤ 400	> 400	±3°				
Fine	±0.5	±1	±1.5	±2	893 920 333 2				
Medium	±1	±2	±3	±4					
Coarse	±2	±3.5	±5	±6.5	Date of first issue: 2013-09-09				
Tapped Holes acc. JED-152		Mass	Scale	Doc.Code Language Sheet					
1) Tolerance Class Applied Crossmarked		kg	-	053	EN	1/1			
		Size	CAD System	ECN-No.		Revision	Techn. Resp.	Replacement for	
		A 2	CREO	515685	3 x	A	5790		

100mm