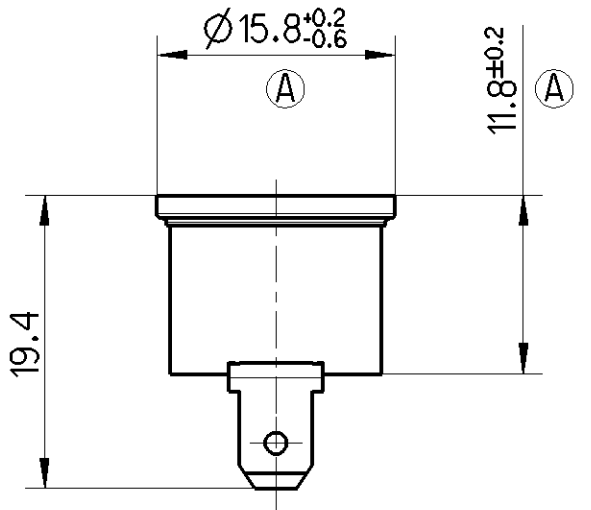
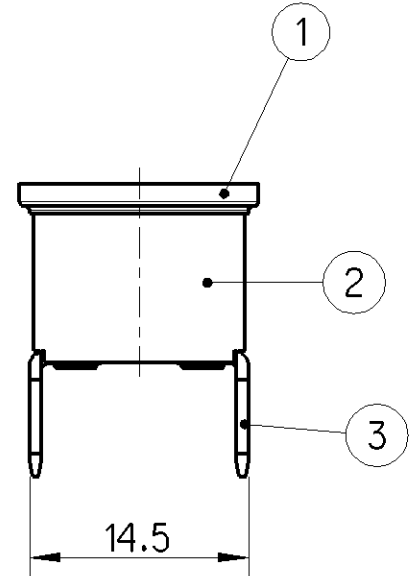
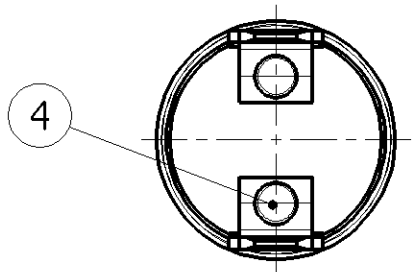
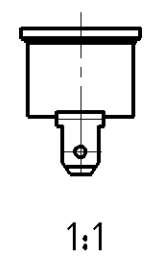


Non e permesso consegnare a terzi o riprodurre questo documento, ne utilizzare il contenuto o renderlo comunque noto a terzi senza autorizzazione esplicita. Ogni infrazione costituisce un evidente abuso e comportera il risarcimento dei danni subiti. E' fatta riserva di tutti i diritti derivanti da brevetti o modelli. Copying of this document and giving it to others and the use or communication of the contents thereof, are forbidden without express authority. Contrivention of this restriction will constitute an evident abuse and result in a liability to the payment of damages. All rights are reserved in the event of the grant of patent or registration of a utility model or design. This document is the subject of copyright.

Toute communication ou reproduction de ce document, toute exploitation ou communication de son contenu sont interdites, sauf autorisation expresse. Tout manquement a cette regle constitue un abus evident et expose son auteur au versement de dommages et interets. Tous droits de propriete industrielle reserves, notamment en matiere de brevets et de modesles. Weitergabe sowie Vervielfaeltigung dieser Unterlagen, Verwertung und Mitteilung ihres Inhalts nicht gestattet, soweit nicht ausdrucklich zugestanden. Zuwiderhandlungen stellen einen offensichtlichlichen Missbrauch dar und verpflichten zu Schadensersatz. Alle Rechte fuer den Fall der Patenterteilung oder Gebrauchsmuster-Eintragung vorbehalten.

1 2 3 4 5 6 7 8



Opening temperature	29.5°C ±3°C
Closing temperature	7°C ±6°C
Resistance between terminals	below ≤ 10mΩ at DC5V/0.25A
Insulated resistance	above 100MΩ with DC500V between terminals and cap
Dielectric strenght	AC1500V for 1 minute between terminals and cap without breakdown

No.	Part name	Material	Remarks
1	Cap	Aluminium(1050)	
2	Case	Phenolic Molding Compound	
3	Plug	Brass(H65) Silver plated	DIN 46 244-A4.8-0.5
4	Rivet	Copper(T2)	

General Specification: JED-334-1, Size ISO 14405 LP	
Further Technical Data:	
Doc. Code:	Sheet: To
General Tolerances JED-261	
Range of Nominal Dimensions (± mm)	
Class 1)	≤ 50 > 50 > 180 > 180 > 400 > 400
Fine	0.5 1.0 1.5 2.0
Medium	X 1.0 2.0 3.0 4.0
Coarse	2.0 3.5 5.0 6.5
Tapped Holes acc. q	
1) Tolerance Class Applied Crossmarked	

Copyright WABCO®	
Date	Signature
2015-07-10	Czeryba
2015-07-10	Bialon
Expert	
Bialon	
Mass	Scale
0.003 KG	2:1
Size	CAD System
A 3	CREO

WABCO			THERMOSTAT		
Material No. 894 040 940 2			Date of first issue: 1988-10-26		
Doc.Code 005		Language EN		Sheet 1/1	
ECN-No. 167659		Revision 5 x A		Techn. Resp. 5050_EM	
Replacement for -					

1 2 3 4 5 6 7 8 100mm

dw: 894040940_005 / Version: - / 1 / state: In Work / mli: 167659 / 409402 / A02