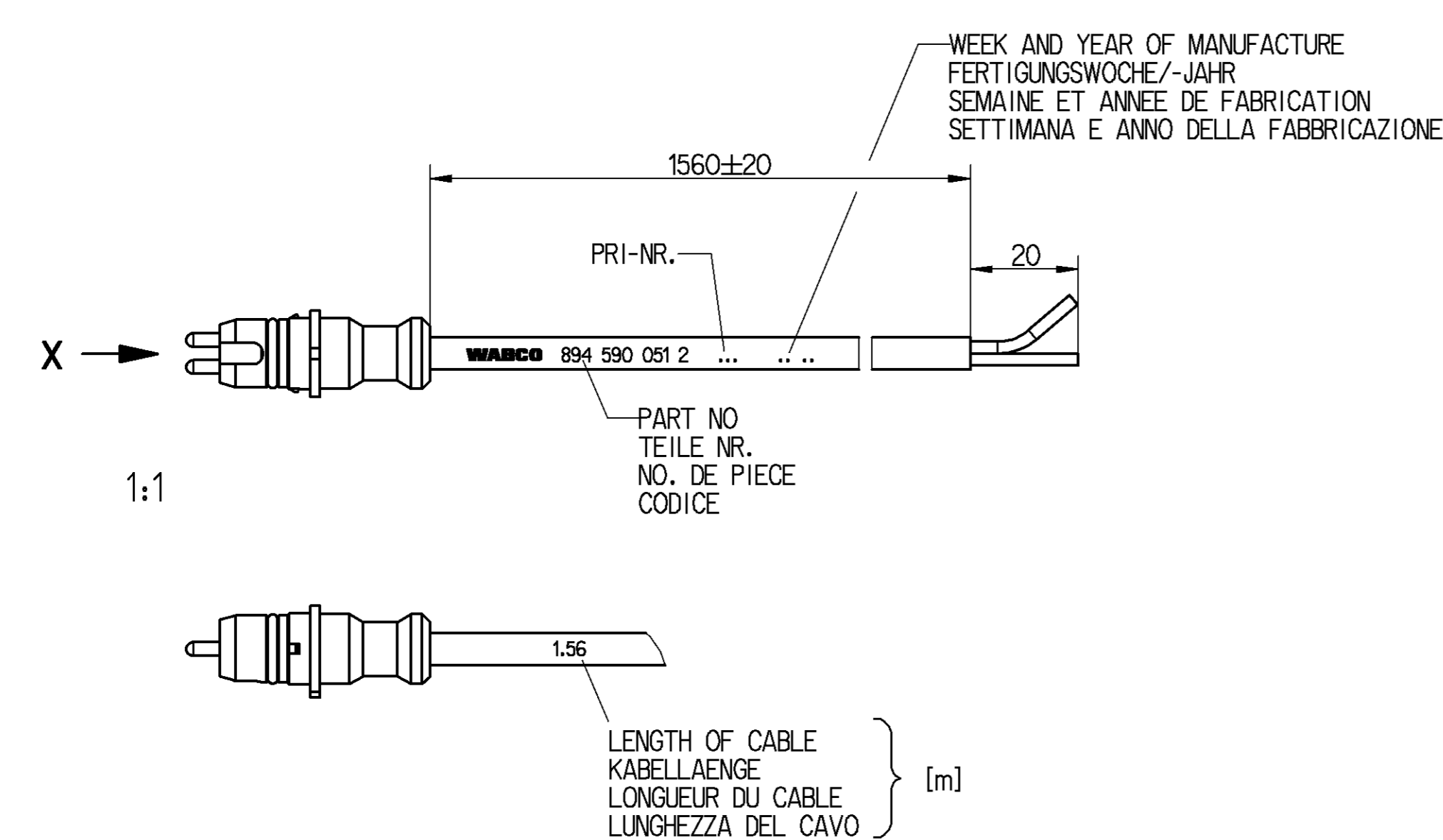


- THERMAL RANGE OF APPLICATION
THERMISCHER ANWENDUNGSBEREICH
GAMME D'APPLICATION THERMIQUE
CAMPO TERMICO D'APPLICAZIONE } -40°C...+80°C
- TWO CORE CABLE
LEITUNG ZWEIADRIG
CABLE A DEUX CONDUCTEURS
CAVO A DUE CONDUTORI } PUR
2x0.75mm²
- STRAIN RELIEF CABLE
ZUGENTLASTUNG KABEL
ARRET DE CABLE
SCARICO DI TRAZIONE DEL CAVO } MAX. 50N $\vartheta=20^{\circ}\text{C}$
- BEND RADIUS CABLE
BIEGERADIUS KABEL
RAYON DE COURBURE DU CABLE
RAGGIO DI CURVATURA DEL CAVO } R 15 MIN, $\alpha 90^{\circ}$
- PART NUMBER OF DAF
DAF-TEILENUMMER
NUMERO DE PIECE DE DAF
NUMERO DI PEZZO DI DAF } 0520830



RESISTANT TO BESTAENDIG GEGEN RESISTANT A RESISTENTE A } AIR, WATER, MINERAL OIL, PETROL, DIESELOIL, SALTSpray
LUFT, WASSER, MINERALOEL, BENZIN, DIESELOEL, SALZSPRUEHNEBEL
AIR, EAU, HUILE MINERALE, ESSENCE, GASOIL, BROUILLARD SALIN
ARIA, AQUA, OLIO MINERALE, BENZINA, GASOLIO, NEBBIA SALINA

FURTHER TECHNICAL DATA SEE PRODUCT SPECIFICATION
WEITERE TECHNISCHE DATEN SIEHE PRODUKT SPEZIFIKATION
POUR AUTRES DONNEES TECHNIQUES VOIR PRODUCT SPECIFICATION
PER ULTERIORI DATI TECNICI VEDERE SPECIFICA DI PRODOTTO } 894 590 010 2

DEGREE OF PROTECTION (IN CONNECTION WITH SOCKET)
SCHUTZART (IN VERBINDUNG MIT KUPPLUNGSDOSE)
DEGRE DE PROTECTION (DANS CONNECTION AVEC SOCLE)
GRADO DI PROTEZIONE (IN RELAZIONE CON SPINOTTO) } IP 68/69K
EN 60529/IEC 529

GENERAL SPECIFICATION: JED-334-0		PRO/ENGINEER DRAWING COPYRIGHT		WABCO	
FURTHER TECHNICAL DATA:		DATE SIGNATURE		DRAWN	
DOC. CODE: SHEET: TO		03-10-14 HARNVISCHM.		CONNECTOR PLUG WITH CABLE	
GENERAL TOLERANCES		CHECKED		KUPPLUNGSSTECCKER MIT KABEL	
RANGE OF NOMINAL DIMENSIONS (± mm)		03-10-14 HOEFLER		CONNECTEUR MALE AVEC CABLE	
CLASS 1)	≤ 50 > 50 > 180 > 180 > 400 > 400	EXPERT CODE		CONNETTORE CON CAVO	
FINE	0.5 1.0 1.5 2.0	7 6 0		PRODUCT IDENTIFICATION NO.	
MEDIUM	1.0 2.0 3.0 4.0	MASS SCALE		894 590 051 2	
COARSE	2.0 3.5 5.0 6.5	/ KG 2:1 1:1		DOC. CODE SHEET	
TAPPED HOLES ACC. ISO 4039 / JED-152		SIZE TRI		605 1/1	
1) TOLERANCE CLASS APPLIED CROSSMARKED		A 2 142		REPLACEMENT FOR	
087762 1x F 03-10-14		FUNCTION CODE SHAPE CODE PRODUCT TYPE		11 X 894 590 051 2/91-04-03	
DOCH-NO. REV. DATE		11 X			

NON E' PERMESSO CONSERVARE A TERZI O RIPRODURRE QUESTO DOCUMENTO, NE UTILIZZARE IL CONTENUTO O REN-
 DERLO ACCESSIBILE A TERZI, SENZA IL CONSENSO SCRITTO DEL PROPRIETARIO. IL DIRITTO DI RIPRODUZIONE
 E' RISERVATO AL PROPRIETARIO. TUTTI I DIRITTI RISERVATI DA
 BREVETTI O MODELLI.
 COPIING OF THIS DOCUMENT AND GIVING IT TO OTHERS AND THE USE OR COMMUNICATION OF THE CONTENTS THEREOF,
 WITHOUT THE WRITTEN PERMISSION OF THE PROPRIETARY, IS PROHIBITED. ALL RIGHTS ARE RESERVED IN THE EVENT OF THE
 ABSENCE AND RESULT IN A LIABILITY TO THE PAYMENT OF DAMAGES. ALL RIGHTS ARE RESERVED IN THE EVENT OF THE
 GRANT OF PATENT OR REGISTRATION OF A DESIGN. THIS DOCUMENT IS THE SUBJECT OF COPYRIGHT.

TOUTE COMMUNICATION OU REPRODUCTION DE CE DOCUMENT, TOUTE EXPLOITATION DE COMMUNICATION DE SON CONTE-
 NU, A UN TIERS, SANS LE CONSENTEMENT ECRIT DU PROPRIETAIRES, EST PROHIBEE. LE DROIT DE REPRODUCTION
 EST RESERVE AU PROPRIETAIRES. TOUS DROITS DE PROPRIETE
 INDUSTRIELLE RESERVES, NOTAMMENT EN MATIERE DE BREVETS ET DE MODELES.
 WELTEREABE SOEWIE VERLEIHLUNG DIESER UNTERLAGE, VERBERUNG UND MITTEILUNG IHRES INHALTS NICHT
 OHNE SCHRIFTLICHE ZULASSUNG DES EIGENERS. ALLE RECHTE FUR DEN FALL DER PATENTIERUNG ODER
 GEBRAUCHSMUSTER-ENTWURF VORBEHALTEN.

Dwg. 1: 8945900512-605 *** ***
 A13 n.6