

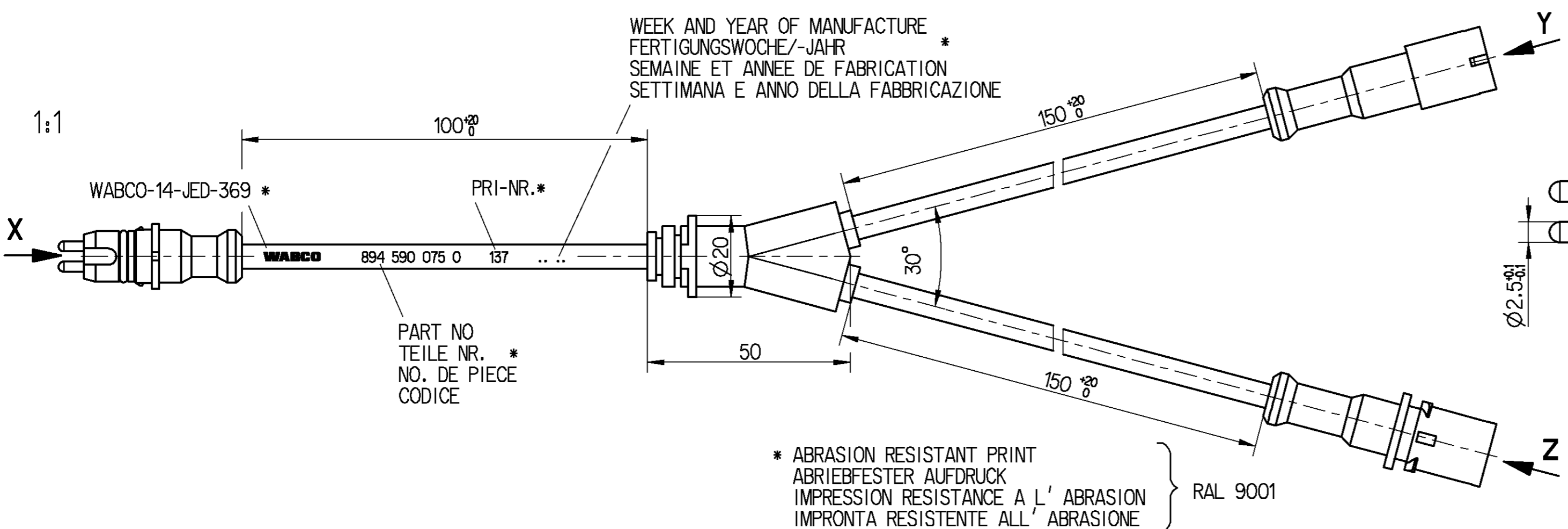
THERMAL RANGE OF APPLICATION
 THERMISCHER ANWENDUNGSBEREICH
 GAMME D'APPLICATION THERMIQUE
 CAMPO TERMICO D'APPLICAZIONE } -40°C...+80°C

TWO CORE CABLE
 LEITUNG ZWEIADRIG
 CABLE A DUE CONDUTTEURS
 CAVO A DUE CONDUTORI } PUR
 2x0.75mm²
 Ø6±0.2

STRAIN RELIEF CABLE
 ZUGENTLASTUNG KABEL
 ARRET DE CABLE
 SCARICO DI TRAZIONE DEL CAVO } MAX. 50N ∠=20°C

BEND RADIUS CABLE
 BIEGERADIUS KABEL
 RAYON DE COURBURE DU CABLE
 RAGGIO DI CURVATURA DEL CAVO } R 15 MIN, <90°

WEEK AND YEAR OF MANUFACTURE
 FERTIGUNGSWOCHE/-JAHR *
 SEMAINE ET ANNEE DE FABRICATION
 SETTIMANA E ANNO DELLA FABBRICAZIONE



* ABRASION RESISTANT PRINT
 ABRIEBFESTER AUFDRUCK
 IMPRESSION RESISTANCE A L' ABRASION
 IMPRONTA RESISTENTE ALL' ABRASIONE } RAL 9001

RESISTANT TO
 BESTAENDIG GEGEN } AIR, WATER, MINERAL OIL, PETROL, DIESELOIL, SALTSpray
 RESISTANT A } LUFT, WASSER, MINERALOEL, BENZIN, DIESELOEL, SALZSPRUEHNebel
 RESISTENTE A } AIR, EAU, HUILE MINERALE, ESSENCE, GASOIL, BROUILLARD SALIN
 ARIA, AQUA, OLIO MINERALE, BENZINA, GASOLIO, NEBBIA SALINA

FURTHER TECHNICAL DATA SEE PRODUCT SPECIFICATION
 WEITERE TECHNISCHE DATEN SIEHE PRODUKT SPEZIFIKATION } 894 590 010 2
 POUR AUTRES DONNEES TECHNIQUES VOIR PRODUCT SPECIFICATION
 PER ULTERIORI DATI TECNICI VEDERE SPECIFICA DI PRODOTTO

DEGREE OF PROTECTION (IN CONNECTION WITH CONNECTOR)
 SCHUTZART (IN VERBINDUNG MIT KUPPLUNG) } IP 68/69K
 DEGRE DE PROTECTION (DANS CONNECTION AVEC COUPLAGE) } EN 60529/IEC 529
 GRADO DI PROTEZIONE (IN COLLAGAMENTO CON CONNETTORE)

GENERAL SPECIFICATION: JED-334.0		Pro/ENGINEER DRAWING		WABCO	
FURTHER TECHNICAL DATA:		COPYRIGHT			
DOC. CODE: SHEET: TO		DATE SIGNATURE		SET OF CABLES	
GENERAL TOLERANCES		DRAWN		KABELSATZ	
RANGE OF NOMINAL DIMENSIONS (± mm)		98-06-18 HARVISCHM.		YEU DE CABLES	
CLASS	1) ≤ 50 > 50 > 180	CHECKED		SET DE CAVI	
FINE	0.5 1.0 1.5 2.0	98-06-18 HOEFLER			
MEDIUM	1.0 2.0 3.0 4.0	EXPERT CODE			
COARSE	2.0 3.5 5.0 6.5	7 6 0			
TAPPED HOLES ACC. ISO 4039 / JED-152		MASS SCALE		PRODUCT IDENTIFICATION NO.	
1) TOLERANCE CLASS APPLIED CROSSMARKED		/ KG 2:1		894 590 075 0	
DCN-NO. REV. DATE		SIZE TRI		DOC. CODE SHEET	
		A 2 141		605 1/1	
		FUNCTION CODE SHAPE CODE PRODUCT TYPE		REPLACEMENT FOR	
		1 2 X		884 038 492 2	

NON E' PERMESSO CONSERVARE A TERTI O RIPRODURRE QUESTO DOCUMENTO, NE UTILIZZARE IL CONTENUTO O RENDERSI RESPONSABILI PER QUALSIASI DANNI, PERDITE O COSTI, IN TUTTI I DIRITTI, DERIVANTI DA BREVETTI O MODELLI.

COPIING OF THIS DOCUMENT AND GIVING IT TO OTHERS AND THE USE OR COMMUNICATION OF THE CONTENTS THEREOF, WITHOUT THE WRITTEN PERMISSION OF THE MANUFACTURER, IS PROHIBITED. ALL RIGHTS ARE RESERVED IN THE EVENT OF THE GRANT OF PATENT OR REGISTRATION OF A UTILITY MODEL OR DESIGN. THIS DOCUMENT IS THE SUBJECT OF COPYRIGHT.

WABCO-14-JED-369 *
 PRI-NR.*
 PART NO. TEILE NR. NO. DE PIECE CODICE
 894 590 075 0 137 ...

TOUTE COMMUNICATION DE REPRODUCTION DE CE DOCUMENT, TOUTE EXPLOITATION DE COMMUNICATION DE SON CONTENU, EN TANT ET EN QUELLE QU'ELLE SOIT, EST PROHIBEE. LE MANUFACTURIER NE SAIT PAS ET NE PEUT ETRE RESPONSABLE DE QUELQUE DANNI, PERDITE OU COUAT, EN TOUTS DROITS, DERIVANT DE BREVETS, NOTAMMENT EN MATIERE DE BREVETS ET DE MODELES.

WEITEREABE SOWIE VERLEIHLUNG DIESER UNTERLAGE, VERBERUNG UND MITTEILUNG IHRES INHALTS NICHT ZULASSIG. WABCO ANNAHMET KEINE VERANTWORTUNG FUR JEDE VERLEIHLUNG ODER VERBERUNG ODER MITTEILUNG DIESER UNTERLAGE. ALLE RECHTE FUR DEN FALL DER PATENTIERUNG ODER GEBRAUCHSMUSTER-ENTWANGUNG VORBEHALTEN.