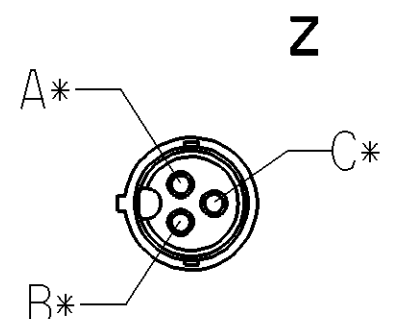
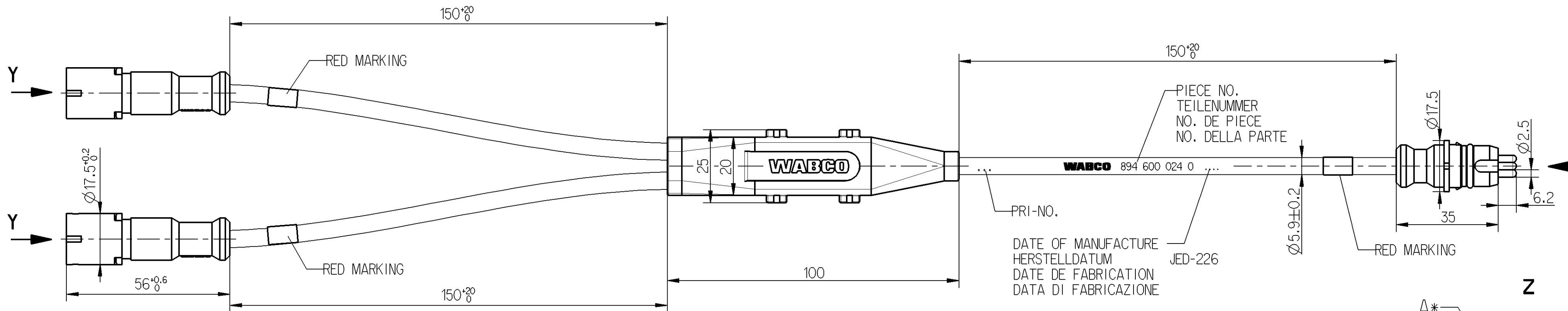
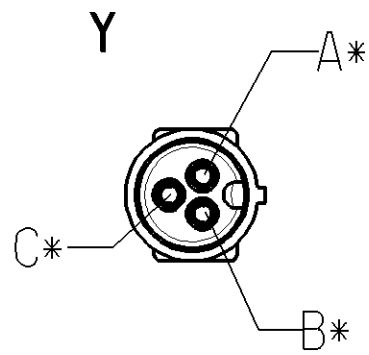
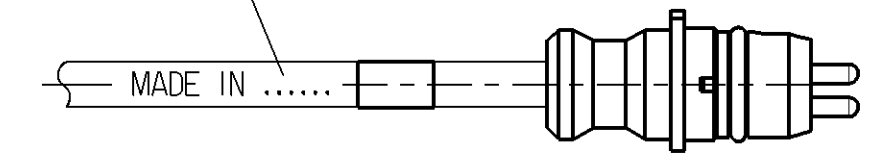


INSTALLATION INSTRUCTIONS TO BE OBSERVED
 INSTALLATIONSHINWEIS BEACHTEN
 INDICATION POUR L'INSTALLATION À OBSERVER
 OSSERVARE INDICAZIONE DI MONTAGGIO

449 000 000 0
 (DOC.CODE 011)

IDENTIFICATION OF COUNTRY OF ORIGIN
 KENNZEICHNUNG WARENRUSPRUNGSLAND
 IDENTIFICATION DU PAYS D'ORIGINE
 IDENTIFICAZIONE DEL PAESE D'ORIGINE



* SURFACE PROTECTION
 OBERFLAECHENSCHUTZ
 PROTECTION DE SURFACE
 PROTEZIONE SUPERFICI

Ag Ⓐ

THREE CORE CABLE
 LEITUNG DREIADRIG
 CABLE A TROIS CONDUCTEURS
 CAVO A TRE CONDUTTORI

PUR
 3x0.5mm²

THERMAL RANGE OF APPLICATION
 THERMISCHER ANWENDUNGSBEREICH
 GAMME D'APPLICATION THERMIQUE
 CAMPO TERMICO D'APPLICAZIONE

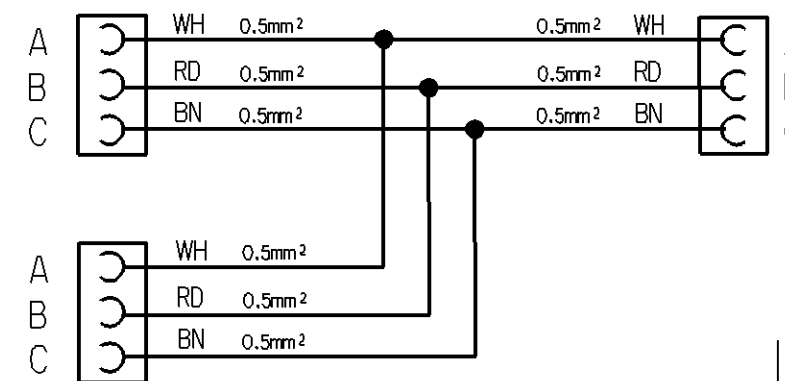
-40 °C...+80 °C

TYPE OF PROTECTION (IN CONNECTION WITH CONNECTOR)
 SCHUTZART (IN VERBINDUNG MIT GEGENSTECKER)
 MODE DE PROTECTION (DANS CONNECTION AVEC CONNECTEUR)
 TIPO DI PROTEZIONE (IN RELAZIONE CON CONNETTORE)

IP 67, IP 6K9K
 ISO 20653

RESISTANT TO
 BESTAENDIG GEGEN
 RESISTANT A
 RESISTENTE A

AIR, WATER, MINERAL OIL, PETROL, DIESELOIL, SALTSPRAY
 LUFT, WASSER, MINERALOEL, BENZIN, DIESELOEL, SALZSPRUEHNEBEL
 AIR, EAU, HUILE MINERALE, ESSENCE, GASOIL, BROUILLARD SALIN
 ARIA, AQUA, OLIO MINERALE, BENZINA, GASOLIO, NEBBIA SALINA



** DIN 16901-150

General Specification: JED-334-0 **		Copyright WABCO®		WABCO	
Further Technical Data:		Date	Signature	CABLE WITH SOCKET	
Doc. Code: Sheet: To:		2009-11-23	Hornschmacher	KABEL MIT GERÄTESTECKDOSE	
General Tolerances JED-261		2009-11-26	Overhage	CABLE AVEC PRISE DE COURANT	
Range of Nominal Dimensions (± mm)		Expert		CAVO CON PRESA DI CORRENTE	
Class 1)	≤ 50	> 50 ≤ 180	> 180 ≤ 400	> 400	Δ
Fine	0.5	1.0	1.5	2.0	±3°
Medium	1.0	2.0	3.0	4.0	
Coarse	2.0	3.5	5.0	6.5	
Tapped Holes acc.		Mtss	Scale	Material No.	Date of first issue: 2009-06-16
1) Tolerance Class Applied Crossmarked		A 2	Pro/E	894 600 024 0	Doc.Code Language Sheet
		ECN-No.	Revision	Techn. Resp.	005 ML 1/1
		151684	1x A	5750_EM	Replacement for
				100mm	

Non è permesso consegnare o terzi o riprodurre questo documento, né utilizzare il contenuto o renderlo comunque noto a terzi
 E' fatto riserva di tutti i diritti, espressi o non, e di tutti i brevetti e marchi.
 Copying of this document and giving it to others and the use or communication of the contents thereof, are forbidden without express
 written permission of the manufacturer. The manufacturer assumes no responsibility for any damage or loss of data caused by the use of
 the information contained in this document. All rights reserved in the event of the grant of patent or registration of a utility model or design. This document is the subject of copyright.

Toute communication ou reproduction de ce document, toute exploitation ou communication de son contenu sont interdites, sauf
 autorisation expresse. Tout manquement à cette règle constitue un abus évident et expose son auteur au versement de dommages et
 intérêts. Tous droits de propriété industrielle réservés, notamment en matière de brevets et de modèles.
 Weitergabe sowie Vervielfältigung dieser Unterlagen, Verwertung und Mitteilung ihres Inhalts nicht gestattet, soweit
 nicht ausdrücklich zugestimmt. Zuwiderhandlungen stellen einen strafrechtlichen Missbrauch dar und verpflichten zu Schadensersatz.
 Alle Rechte für den Fall der Patentierung oder Gebrauchsmuster-Eintragung vorbehalten.

dwn: 894600024_005 / Version: -1 / state: Approved / mdf: 894600024_005