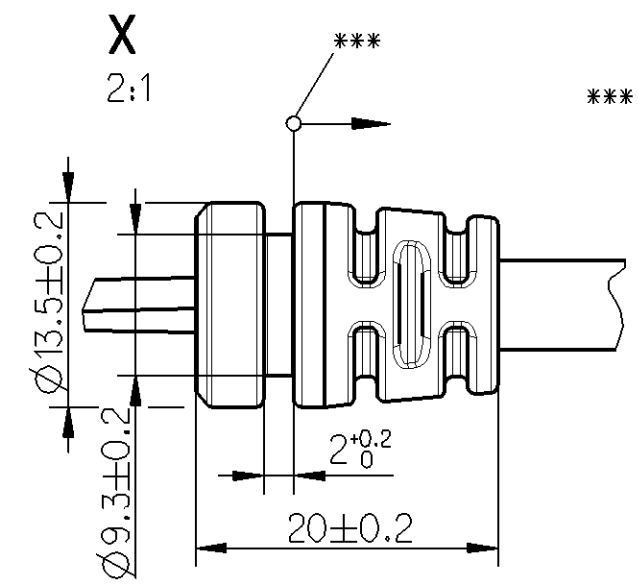


TYPE OF PROTECTION (IN CONNECTION WITH PLUG)  
SCHUTZART (IN VERBINDUNG MIT STECKER)  
MODE DE PROTECTION (DANS CONNECTION AVEC FICHE)  
TIPO DI PROTEZIONE (IN RELAZIONE CON SPINA)

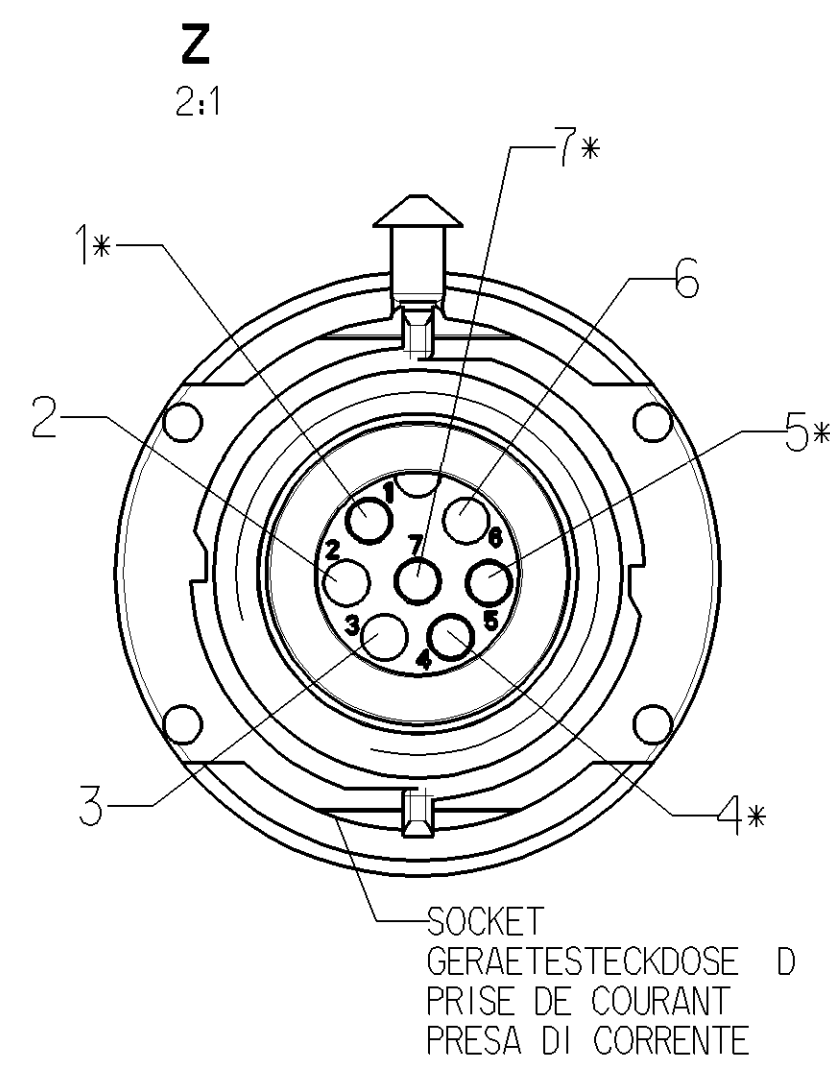
D: IP 6K7, IP 6K9K  
B: C: IP 67, IP 6K9K  
ISO 20653

RESISTANT TO  
BESTÄNDIG GEGEN  
RESISTANT A  
RESISTENTE A

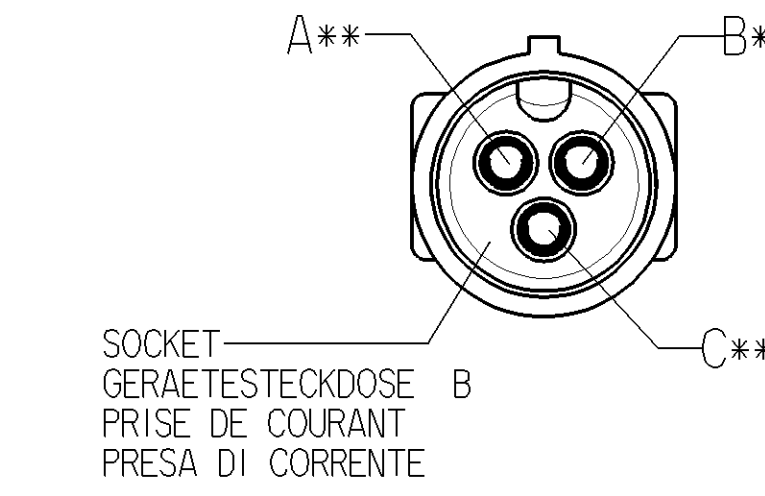
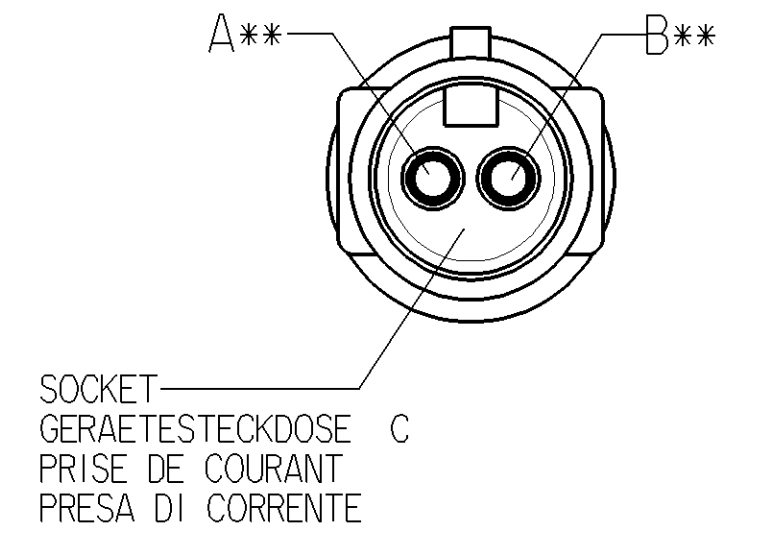
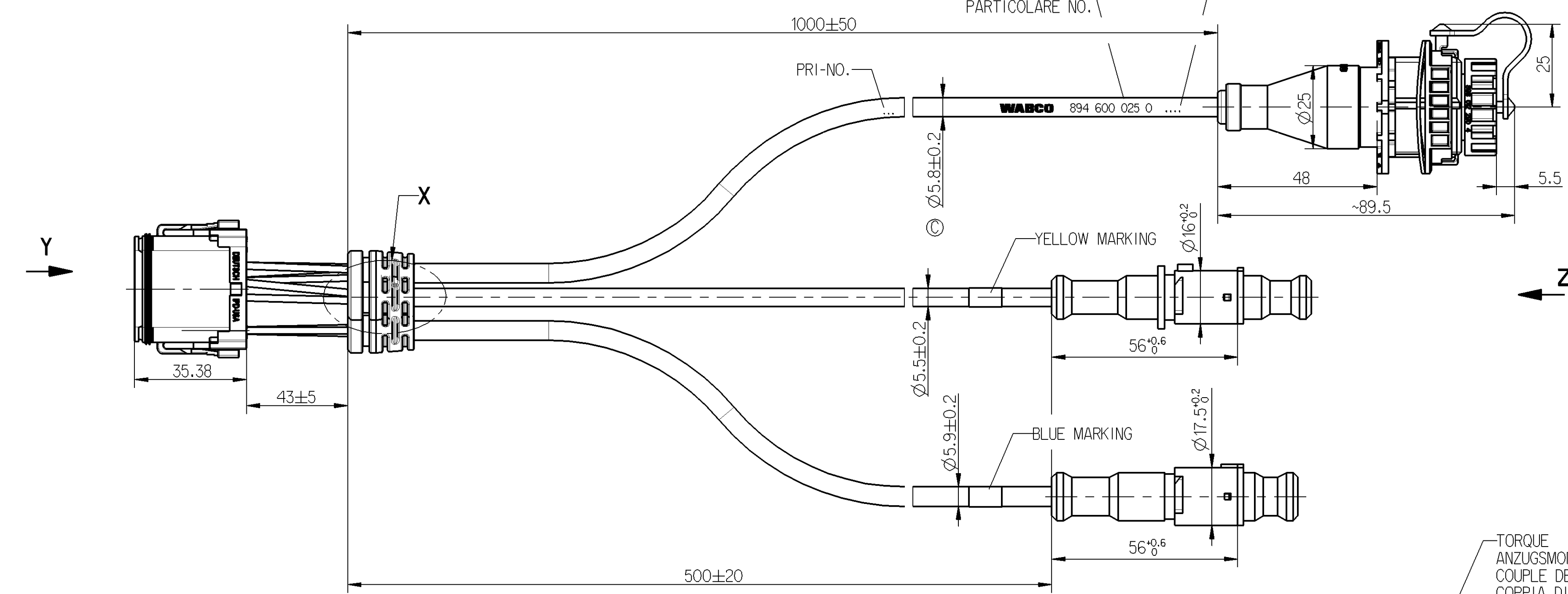
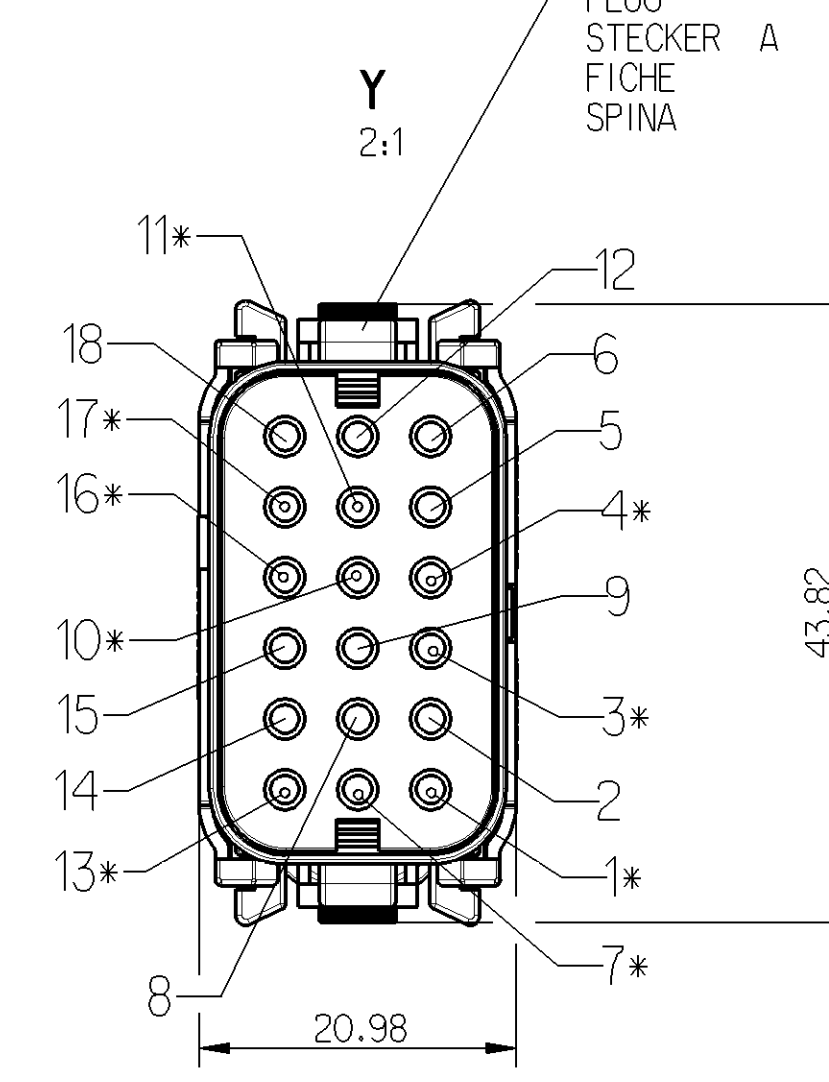
AIR, WATER, MINERAL OIL, PETROL, DIESELOIL, SALTS  
LUF, WASSER, MINERALÖL, BENZIN, DIESELOEL, SALZSPRUEHNELB  
AIR, EAU, HUILE MINERALE, ESSENCE, GASOIL, BROUILLARD SALIN  
ARIA, AQUA, OLIO MINERALE, BENZINA, GASOLIO, NEBBIA SALINA



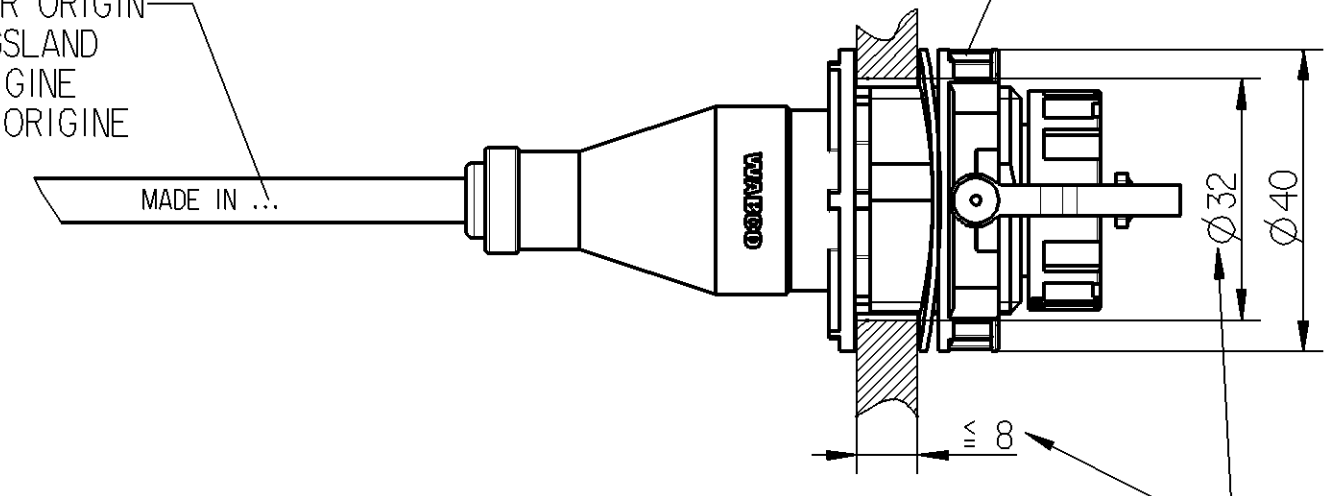
TENSILE STRENGTH IN MOUNTED POSITION:  
ZUGFESTIGKEIT IM MONTIERTEN ZUSTAND: MAX.80N @20°C  
RÉSISTANCE À LA TRACTION APRÈS MONTAGE:  
RESISTENZA A TRAZIONE DOPO MONTAGGIO:



THE MANUFACTURER'S PRODUCT SPECIFICATIONS APPLY TO CONNECTORS AND CONTACTS; WABCO DOES NOT PROVIDE ANY WARRANTY  
FUER STECKER UND KONTAKTE GELTEN DIE PRODUKTSPEZIFIKATIONEN DER HERSTELLER, KEINE GEWAHRLEISTUNG DURCH WABCO  
LES SPECIFICATIONS PRODUIT DU FABRICANT SONT VALABLES POUR LES CONNECTEURS ET LES CONTACTS; WABCO NE FOURNIT AUCUNE GARANTIE  
SPECIFICHE DI PRODOTTO DEL PRODUTTORE SONO VALIDE PER I CONNETTORI E CONTATTI; WABCO NON FORNISCE NESSUNA GARANZIA

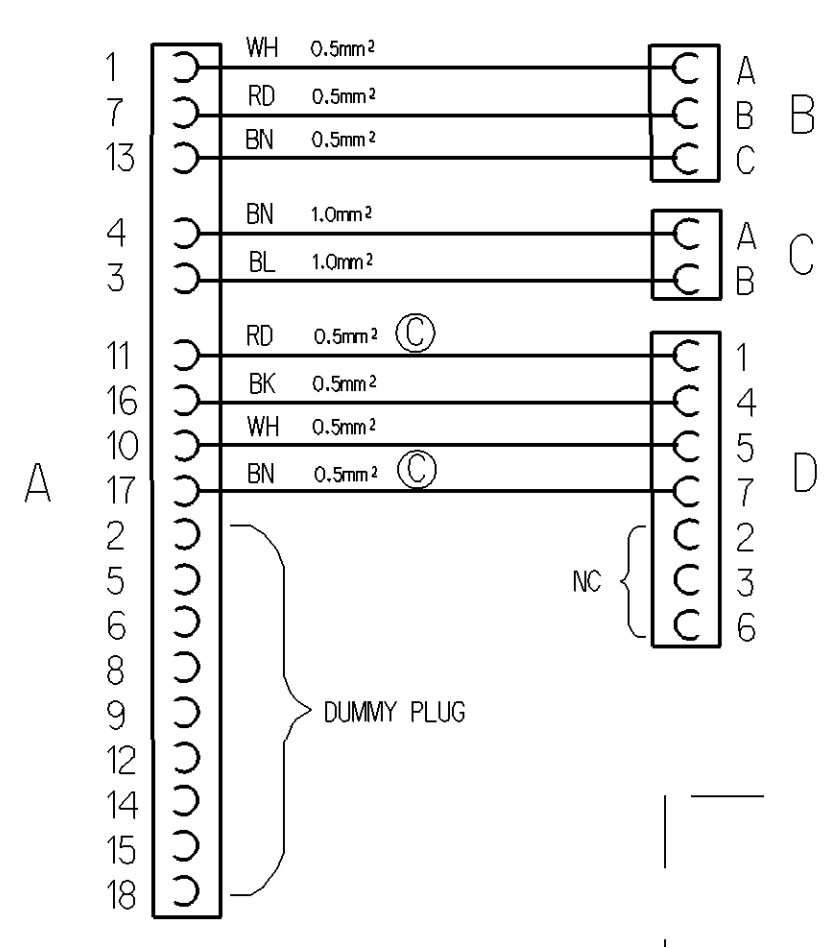


IDENTIFICATION OF COUNTRY OR ORIGIN  
KENNZEICHNUNG WARENRUSPRUNGLAND  
IDENTIFICATION DA PAYS D'ORIGINE  
IDENTIFICAZIONE DEL PAESE D'ORIGINE



TORQUE ANZUGSMOMENT : M<sub>A</sub> = 2<sup>+0.5</sup>Nm  
COUPLE DE SERRAGE :  
COPPIA DI SERRAGGIO:

INSTALLATION INSTRUCTION  
EINBAUINWEIS  
INDICATION POUR L'INSTALLATION  
INDICAZIONE DI MONTAGGIO



CABLE LEITUNG } PUR  
CABLE } 3x0.5mm<sup>2</sup>  
CAVO } 2x1.0mm<sup>2</sup>  
          } 4x0.5mm<sup>2</sup> ©

SURFACE PROTECTION } Ni \*  
OBERFLAECHENSCHUTZ } Ag \*\*  
PROTECTION DE SURFACE }  
PROTEZIONE SUPERFICI }

THERMAL RANGE OF APPLICATION }  
THERMISCHER ANWENDUNGSBEREICH } -40°C...+80°C  
GAMME D'APPLICATION THERMIQUE }  
CAMPO TERMICO D'APPLICAZIONE }

INSTALLATION INSTRUCTIONS TO BE OBSERVED  
INSTALLATIONSHINWEIS BEACHTEN  
INDICATION POUR L'INSTALLATION À OBSERVER  
OSSERVARE INDICAZIONE DI MONTAGGIO } 449 000 000 0 (DOC.CODE 011)

\*\*\*\* DIN 16901-150

CHAMBER IN: KAMMER IN: CAMERA IN:	CABLE KABEL CAVO	WIRE COLOUR ADER FARBE FIL COLEURE FILO COLORE	CHAMBER IN: KAMMER IN: CAMERA IN:	CABLE KABEL CAVO	WIRE COLOUR ADER FARBE FIL COLEURE FILO COLORE	CHAMBER IN: KAMMER IN: CAMERA IN:	CABLE KABEL CAVO	WIRE COLOUR ADER FARBE FIL COLEURE FILO COLORE	CHAMBER IN: KAMMER IN: CAMERA IN:
1	0.5mm <sup>2</sup>	WHITE WEISS BLANC BLANCO	A						
7	0.5mm <sup>2</sup>	RED ROT ROUGE ROSSO	B						
13	0.5mm <sup>2</sup>	BROWN BRAUN BRUN BRUNO	C						
4				1.0mm <sup>2</sup>	BROWN BRAUN BRUN BRUNO	A			
3				1.0mm <sup>2</sup>	BLUE BLAU BLEU BLU	B			
11	0.5mm <sup>2</sup> ©	RED ROT ROUGE ROSSO							1
16	0.5mm <sup>2</sup>	BLACK SCHWARZ NOIR NERO							4
10	0.5mm <sup>2</sup>	WHITE WEISS BLANC BLANCO							5
17	0.5mm <sup>2</sup> ©	BROWN BRAUN BRUN BRUNO							7

General Specifications: JED-334-O ****		Copyright WABCO®		<b>WABCO</b>	
Further Technical Data:		Date: 2012-07-20		Doc. Code: 005 ML 1/1	
Doc. Code: 894 600 025 0		Sheet: 1 of 1		Date of first issue: 2009-06-16	
General Tolerances JED-261		Drawn: Grychowicz		Language: ML	
Range of Nominal Dimensions ( ± mm)		Checked: 2012-08-14		Revision: 6x C	
Class 1) ≤ 50 > 50 > 180 > 400		Overhage: Expert		Tech. Resp: 5750_EM	
Fine 0.5 1.0 1.5 2.0		Overhage: Overhage		Replacement for:	
Medium 1.0 2.0 3.0 4.0		Material No.: 894 600 025 0			
Coarse 2.0 3.5 5.0 6.5		Scale: 1:1			
Tapped Holes acc.:		Size: A 1			
1) Tolerance Class Applied Crossmarked		Pro/E			

Non è permesso copiare o tradurre questo documento, né utilizzare il contenuto o i dati contenuti in esso, senza permesso scritto dalla WABCO. Il presente documento è riservato ai clienti WABCO. Toute réimpression ou reproduction de ce document, toute exploitation ou communication de son contenu sont interdites, sauf autorisation écrite de la WABCO. Toute utilisation non autorisée de ce document est formellement interdite. This document is the property of WABCO. All rights reserved. No part of this document may be reproduced, stored in a retrieval system, or transmitted, in any form or by any means, without the prior written permission of WABCO.