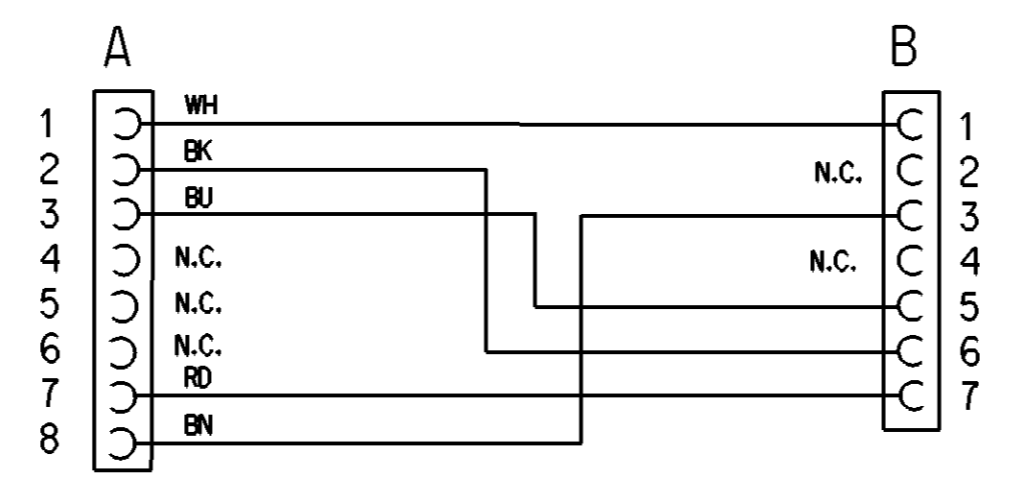
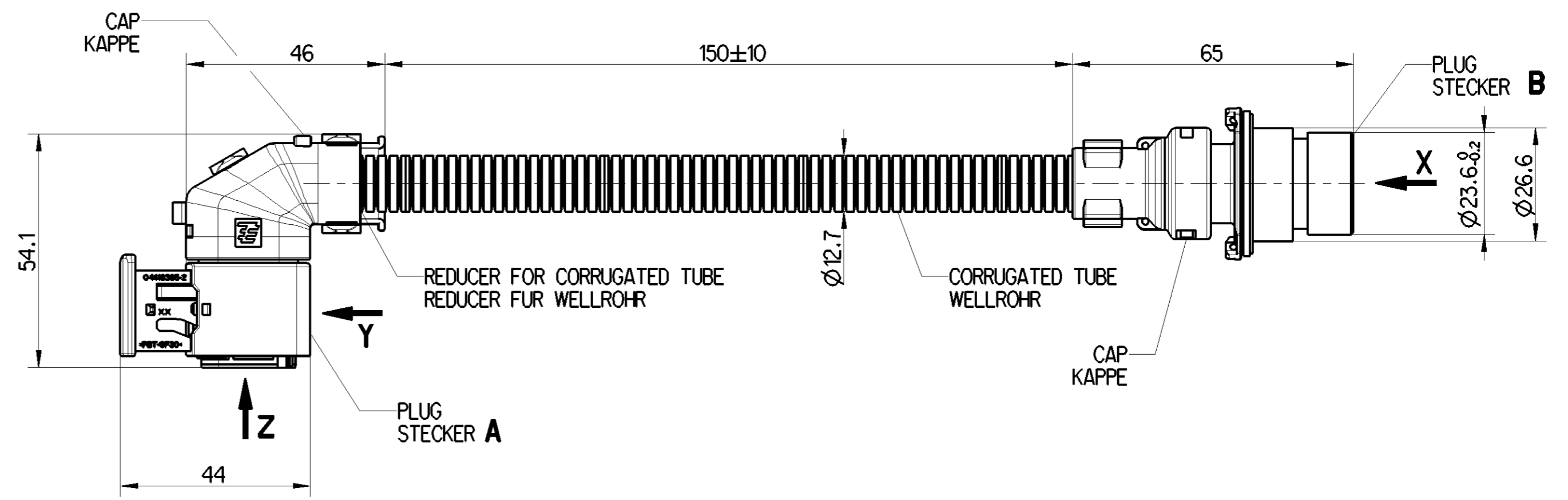
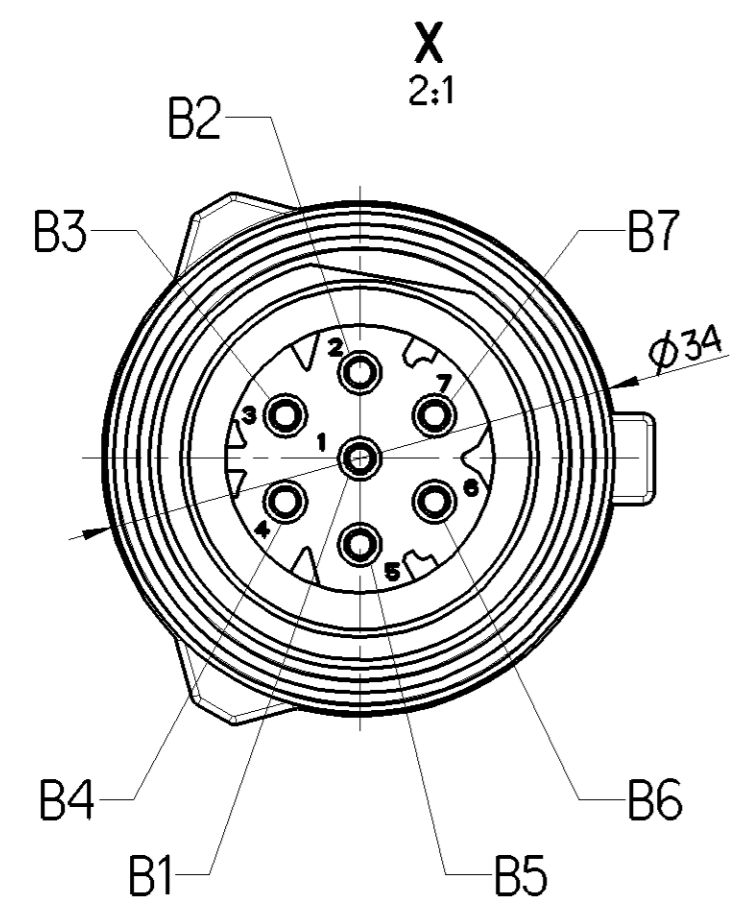
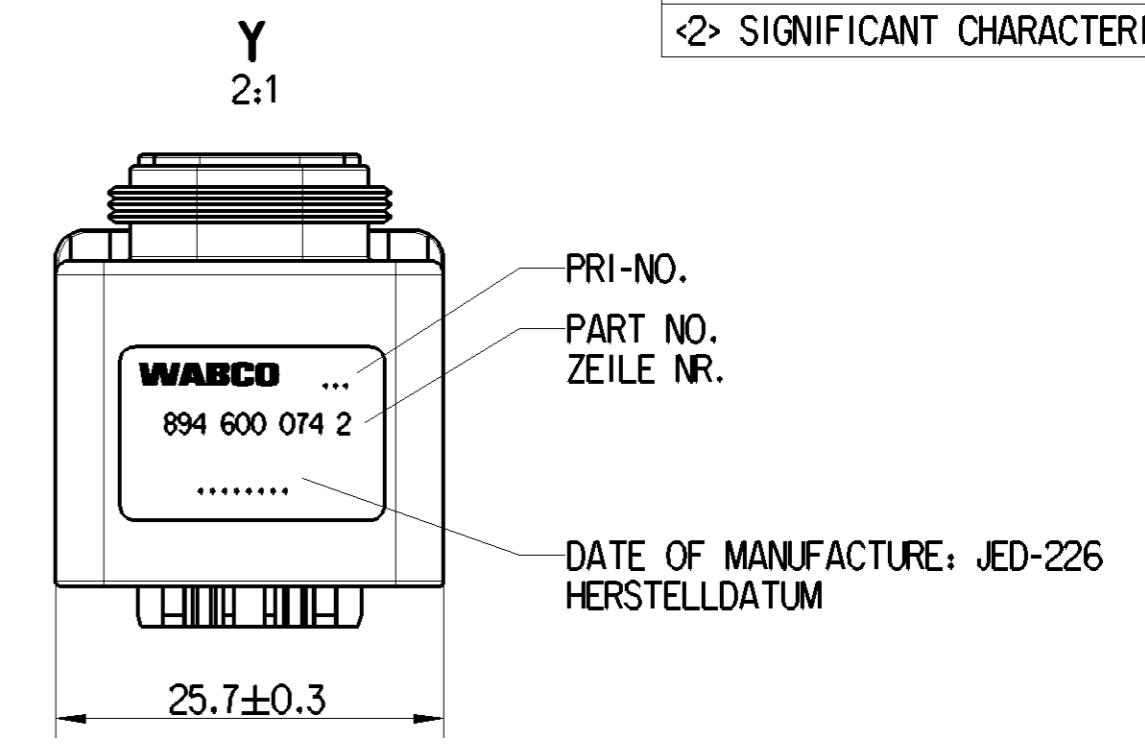
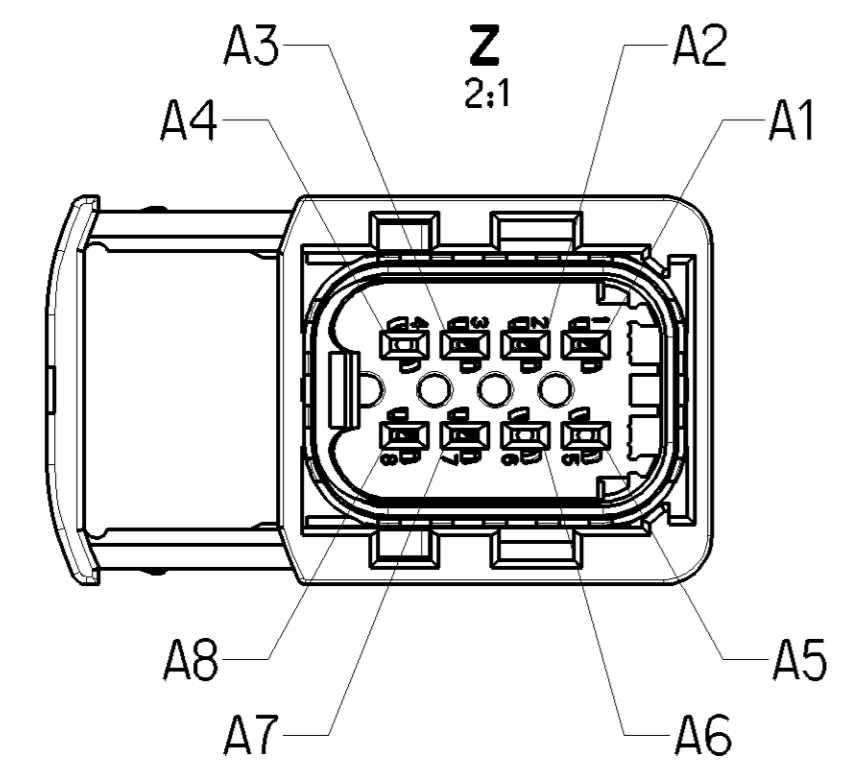


|                                 |   |
|---------------------------------|---|
| <1> SAFETY CHARACTERISTICS      | 0 |
| <2> SIGNIFICANT CHARACTERISTICS | 0 |



THERMAL RANGE OF APPLICATION } -40°C...+85°C  
 THERMISCHER ANWENDBEREICH }

DEGREE OF PROTECTION ACCORDING TO ISO 20653 } IP 6K7 / IP 6K9K  
 SCHUTZART NACH ISO 20653 }

WIRES ACCORDING TO ISO 6722 } FLY 0.5 mm<sup>2</sup>  
 EINZELADERN NACH ISO 6722 }

THE MANUFACTURERS' APPLICATION SPECIFICATIONS AND ASSEMBLY INSTRUCTIONS HAVE TO BE OBSERVED  
 VERARBEITUNGSSPEZIFIKATIONEN UND MONTAGEANWEISUNGEN DER HERSTELLER SIND EINZUHALTEN

|   |                                   |  |                     |   |             |
|---|-----------------------------------|--|---------------------|---|-------------|
| General Specification: JED-334-1, Size ISO 14405 LP |                                   | Copyright WABCO®   |                     | <b>WABCO</b>                                  |             |
| Further Technical Data: JED-226                     |                                   | Date   | Signature           |   |             |
| Doc. Code:  | Sheet: To                         | 2018-08-10   | Drawn Ralucki       | CABLE ADAPTOR                                 |             |
| General Tolerances JED-261                          |                                   | Checked  | 2018-08-12 Gruender |   |             |
| Range of Nominal Dimensions ( ± mm)                 |                                   | Expert Ralucki   |                     | Material No. 894 600 074 2                    |             |
| Class 1)  | ≤ 50 > 50 ≤ 180 > 180 ≤ 400 > 400 | Mass / kg  | Scale 1:1 2:1       | Date of first issue: 2018-09-12               |             |
| Fine  | X 0.5 1.0 1.5 2.0                 | Size   | CREO                | Doc.Code 005                                  | Language ML |
| Medium  | 1.0 2.0 3.0 4.0                   | Size CAD System  |                     | Sheet 1/1                                     |             |
| Coarse  | 2.0 3.5 5.0 6.5                   | Tapped Holes acc. 1) Tolerance Class Applied Crossmarked |                     | ECN-No. Revision Techn. Resp. Replacement for |             |
|   |                                   | A 2  | CREO                | 6930_EM                                       |             |

Non e permesso copiare, o terzi o riprodurre questo documento, ne utilizzare il contenuto o renderlo comunque noto a terzi senza autorizzazione esplicita. Ogni infrazione costituisce un evidente abuso e comporterà il risarcimento dei danni subiti. E' fatta riserva di tutti i diritti derivanti da brevetti o modelli.  
 Coping of this document and giving it to others and the use or communication of the contents thereof, are forbidden without express authority. Contravention of this restriction will constitute an evident abuse and result in a liability to the payment of damages. All rights are reserved in the event of the grant of patent or registration of a utility model or design. This document is the subject of copyright.  
 Toute communication ou reproduction de ce document, toute exploitation ou communication de son contenu sont interdites, sauf autorisation expresse. Tout manquement a cette regle constitue un abus evident et expose son auteur au versement de dommages et interets. Tous droits de propriete industrielle reserves, notamment en matiere de brevets et de modesles.  
 Weitergabe sowie Vervielfaltigung dieser Unterlagen, Verleihen und Mitteilen ihres Inhalts nicht gestattet, soweit nicht ausdrücklich ansonsten, weitergegeben, weiterverleihen, stellen eines, offensichtlichen Missbrauch dar und verpflichten zu Schadenersatz. Alle Rechte hier den Fall der Patentierung oder Gebrauchsmuster-Eintragung vorbehalten.