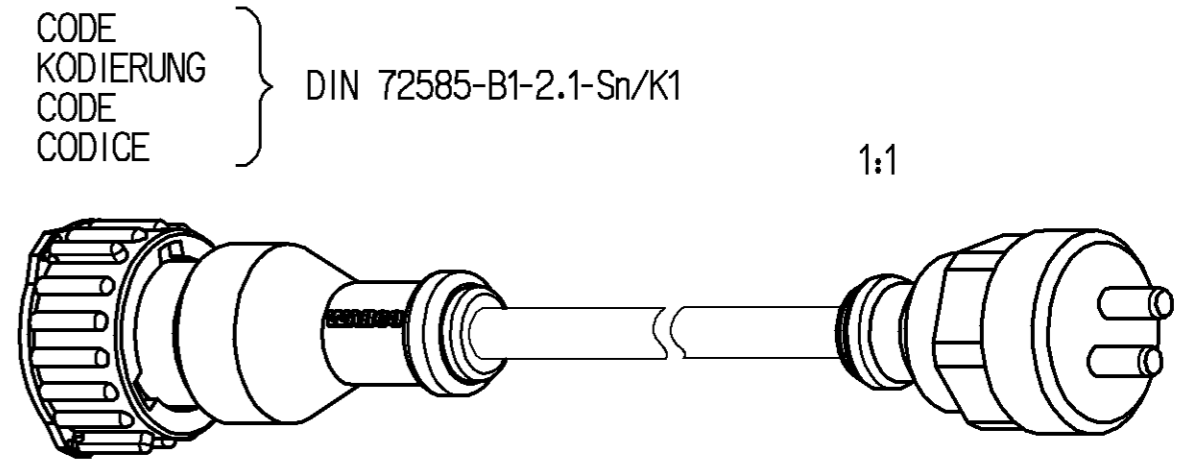
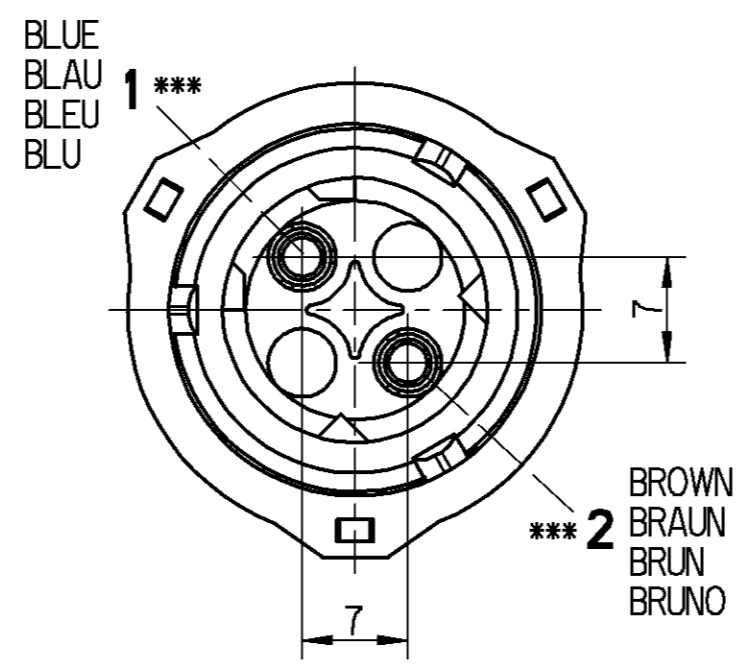
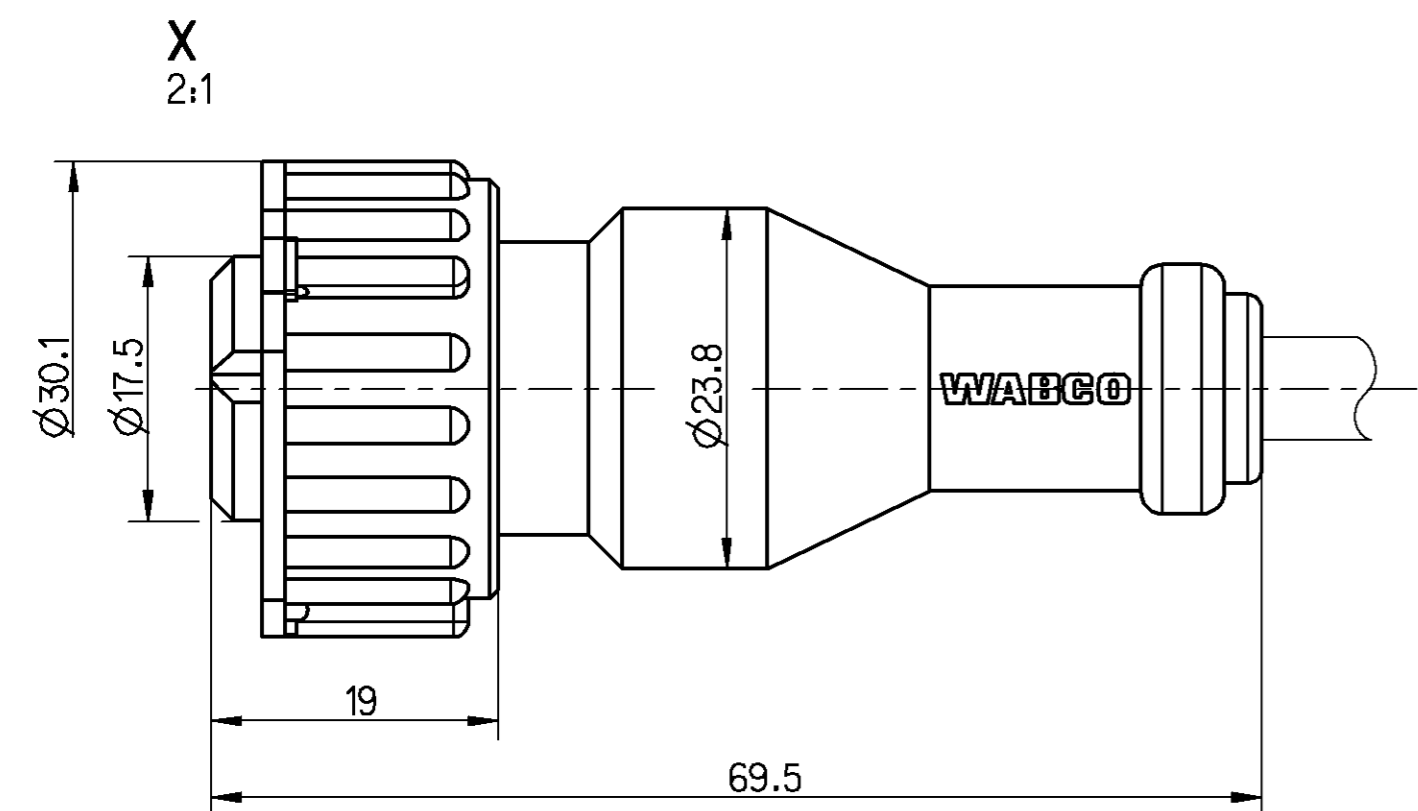
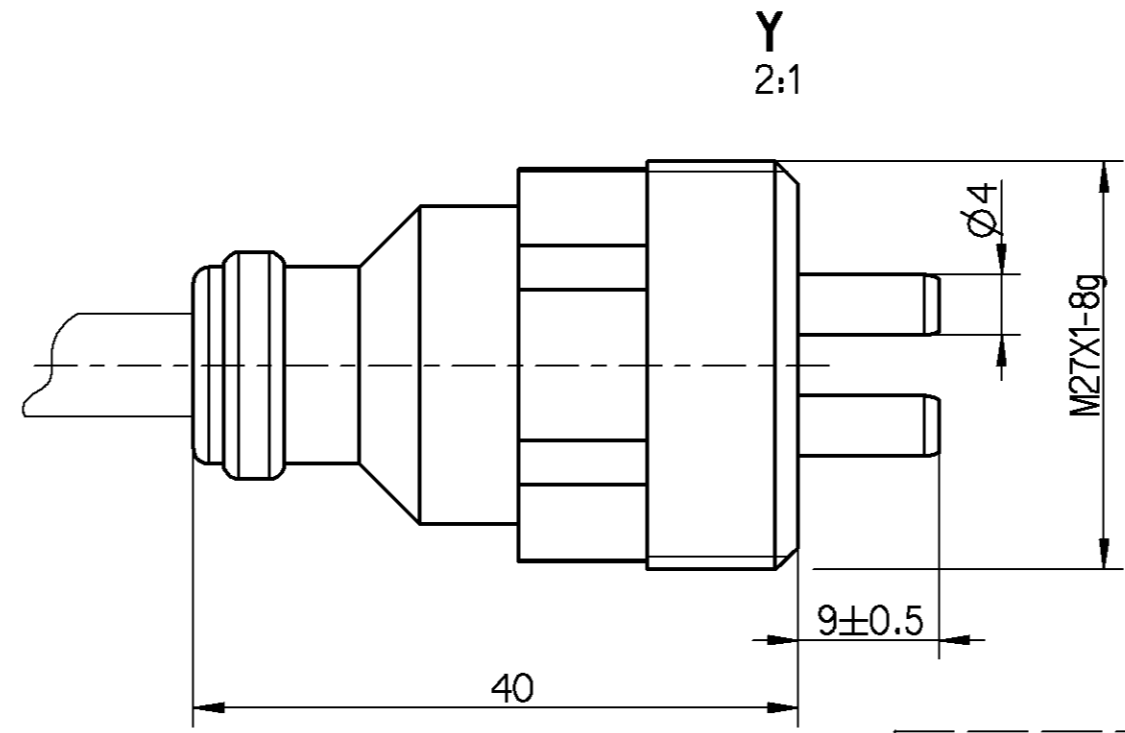
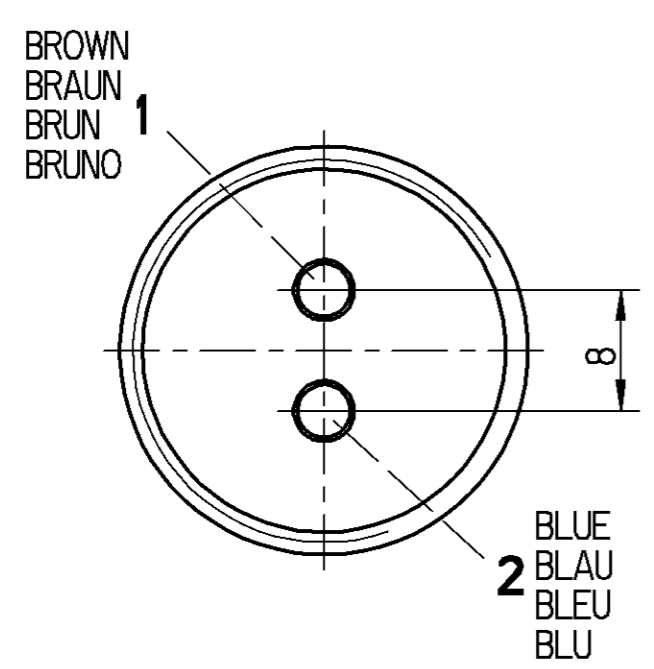
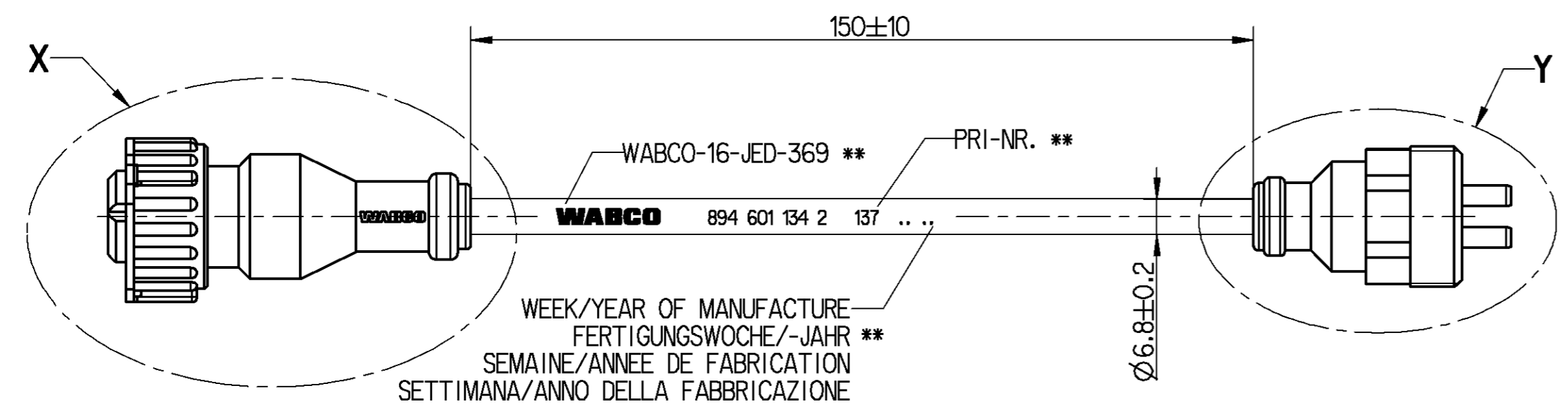


NON È PERMESSO CONSERVARE A TERZI O RIPRODURRE QUESTO DOCUMENTO, NE UTILIZZARE IL CONTENUTO O REN-  
 DERLO ACCESSIBILE AD ALTRI. TUTTI I DIRITTI RISERVATI DA WABCO S.p.A. E LA SUA PRESSIONE DI TUTTI I DIRITTI RISERVATI DA  
 BREVETTI O MODELLI.  
 COPIING OF THIS DOCUMENT AND GIVING IT TO OTHERS AND THE USE OR COMMUNICATION OF THE CONTENTS THEREOF,  
 WITHOUT THE WRITTEN PERMISSION OF WABCO S.p.A. IS PROHIBITED. ALL RIGHTS ARE RESERVED IN THE EVENT OF THE  
 ABUSE AND RESULT IN A LIABILITY TO THE PAYMENT OF DAMAGES. ALL RIGHTS ARE RESERVED IN THE EVENT OF THE  
 GRANT OF PATENT OR REGISTRATION OF A UTILITY MODEL OR DESIGN. THIS DOCUMENT IS THE SUBJECT OF COPYRIGHT.  
 TOUTE COMMUNICATION OU REPRODUCTION DE CE DOCUMENT, TOUTE EXPLOITATION DE COMMUNICATION DE SON CONTE-  
 NU, SANS LE CONSENTEMENT ÉCRIT DE WABCO S.p.A. EST PROHIBÉE. TOUS DROITS DE PROPRIÉTÉ  
 INDUSTRIELLE RÉSERVÉS, NOTAMMENT EN MATIÈRE DE BREVETS ET DE MODÈLES.  
 WETTERBARE SOWIE VERFÄLTLICHUNG DIESER UNTERLAGE, VERBREITUNG UND MITTEILUNG IHRES INHALTS NICHT  
 OHNE SCHRIFTLICHE ZULASSUNG VON WABCO S.p.A. IST VERBODEN. ALLE RECHTE SIND VORBEHALTEN.  
 WISSBRÄUCHER UND VERPFLICHTUNGEN ZU SCHADENSERSATZ, ALLE RECHTE FÜR DEN FALL DER PATENTSTELLUNG ODER  
 GEBRAUCHSMUSTER-ENTWURF VORBEHALTEN.



CODE  
 KODIERUNG  
 CODE  
 CODICE } DIN 72585-B1-2.1-Sn/K1



- \*\* ABRASION RESISTANT PRINT  
 ABRIEBFESTER AUFDRUCK  
 IMPRESSION RESISTANTE A L' ABRASION  
 IMPRONTA RESISTENTE ALL' ABRASIONE } RAL 9001
- \*\*\* SURFACE PROTECTION  
 OBERFLÄCHENSCHUTZ  
 PROTECTION DE SURFACE  
 PROTEZIONE SUPERFICI } Sn
- TWO CORE CABLE  
 LEITUNG ZWEIADRIG  
 CABLE A DEUX CONDUCTEURS  
 CAVO A DUE CONDOTTORI } PUR  
 2x1.5mm<sup>2</sup>
- THERMAL RANGE OF APPLICATION  
 THERMISCHER ANWENDUNGSBEREICH  
 GAMME D'APPLICATION THERMIQUE  
 CAMPO TERMICO D'APPLICAZIONE } -40 °C...+80 °C

TYPE OF PROTECTION (IN CONNECTION WITH PLUG)  
 SCHUTZART (IN VERBINDUNG MIT STECKER)  
 MODE DE PROTECTION (DANS CONNECTION AVEC FICH)  
 TIPO DI PROTEZIONE (IN RELAZIONE CON SPINA) } IP6K7 IP6K9K  
 DIN 40050 T.9

RESISTANT TO  
 BESTÄNDIG GEGEN } AIR, WATER, MINERAL OIL, PETROL, DIESEL OIL, SALTS PRAY  
 RESISTANT A  
 RESISTENTE A } LUFT, WASSER, MINERALÖL, BENZIN, DIESELÖL, SALZSPRÜHNEBEL  
 ARIA, AQUA, OLIO MINERALE, BENZINA, GASOLIO, NEBBIA SALINA

\* DIN 16901-150

GENERAL SPECIFICATION: JED-334-0 *		Pro/ENGINEER DRAWING COPYRIGHT		<b>WABCO</b>	
FURTHER TECHNICAL DATA:		DATE SIGNATURE			
DOC. CODE: SHEET: TO		DRAWN		CABLE WITH SOCKET	
GENERAL TOLERANCES		02-01-07 HARVISCHM.		KABEL MIT GERAETESTECKDOSE	
RANGE OF NOMINAL DIMENSIONS ( ± mm)		CHECKED		CABLE AVEC PRISE DE COURANT	
CLASS 1)	≤ 50 > 50 > 180 > 400 > 400	02-01-07 OVERPAGE		CAVO CON PRESA DI CORRENTE	
FINE	0.5 1.0 1.5 2.0	EXPERT CODE		PRODUCT IDENTIFICATION NO.	
MEDIUM	1.0 2.0 3.0 4.0	7 7 4		894 601 134 2	
COARSE	2.0 3.5 5.0 6.5	MASS SCALE		DOC. CODE SHEET	
TAPPED HOLES ACC. ISO 4039 / JED-152		0.055 1:1		605 1/1	
1) TOLERANCE CLASS APPLIED CROSSMARKED		SIZE TRI		REPLACEMENT FOR	
085427 A 02-12-03		A 2 142		FUNCTION CODE SHAPE CODE PRODUCT TYPE	
DCI-NO. REV. DATE		1 2		1 2	