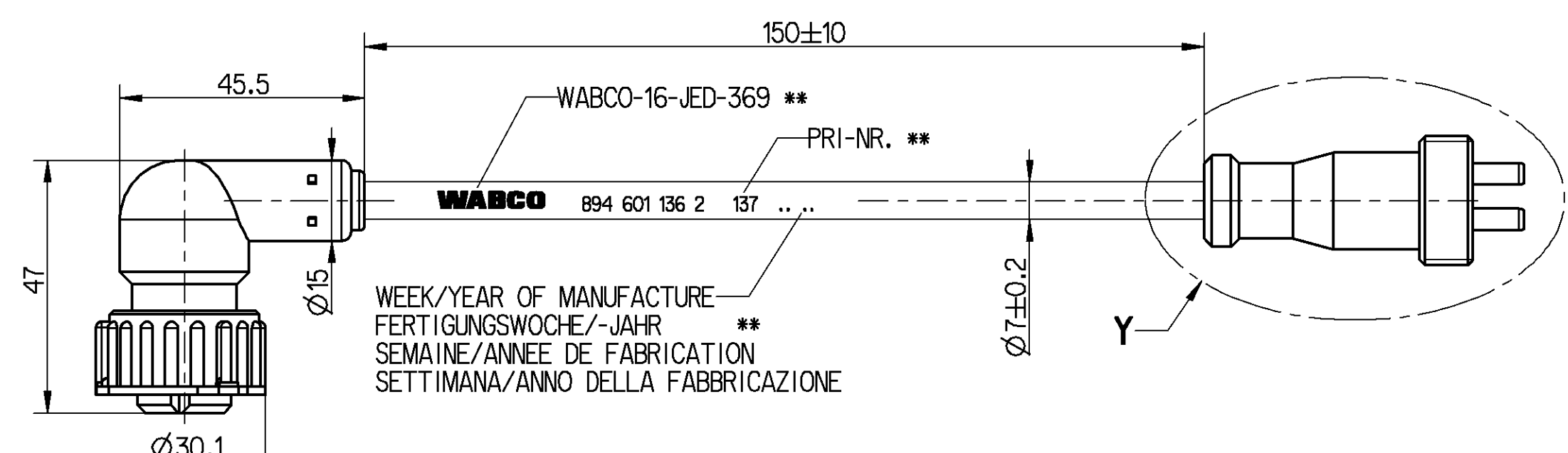
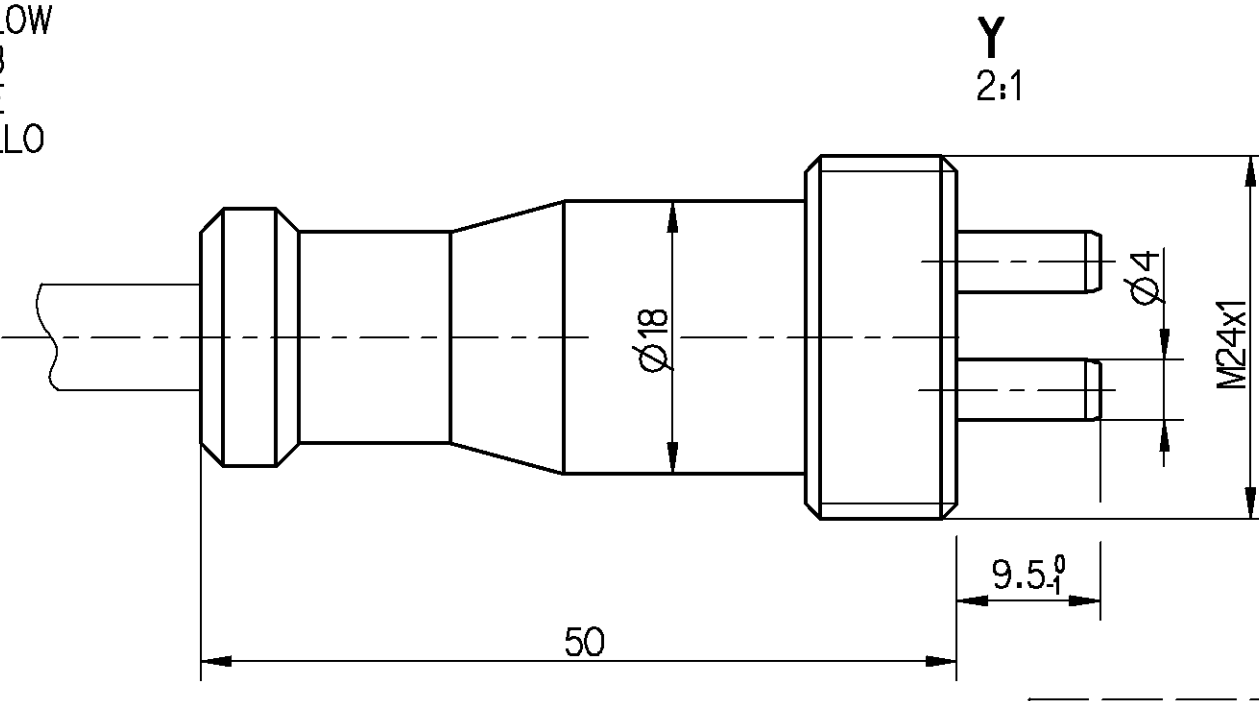
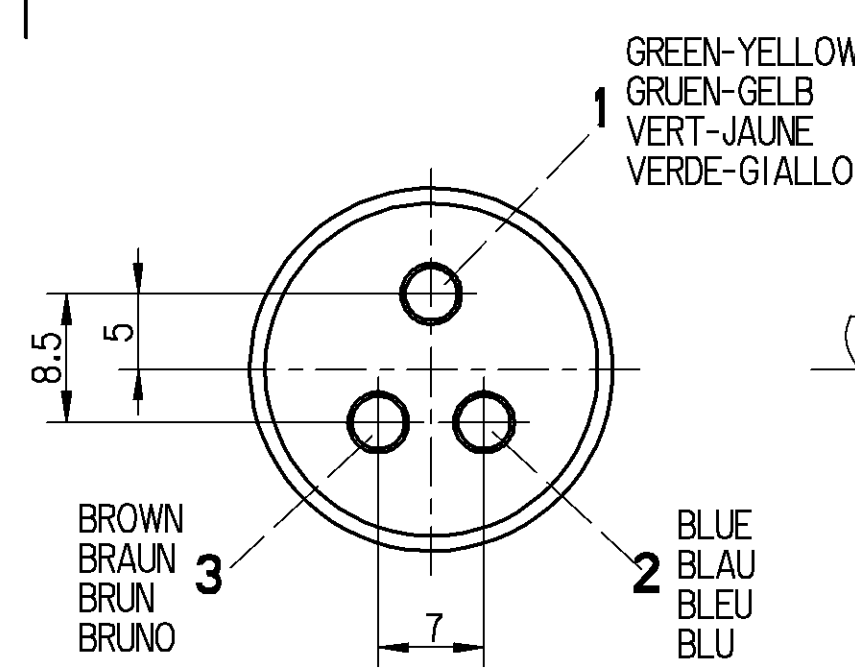


CODE  
KODIERUNG  
CODE  
CODICE } DIN 72585-B1-3.1-Sn/K1



- \*\* ABRASION RESISTANT PRINT  
ABRIEFESTER AUFDRUCK  
IMPRESSION RESISTANTE A L' ABRASION  
IMPRONTA RESISTENTE ALL' ABRASIONE } RAL 9001
- \*\*\* SURFACE PROTECTION  
OBERFLAECHENSCHUTZ  
PROTECTION DE SURFACE  
PROTEZIONE SUPERFICI } Sn
- THREE CORE CABLE  
LEITUNG DREIADRIG  
CABLE A TROIS CONDUCTEURS  
CAVO A TRE CONDOTTORI } PUR  
3x1.5mm<sup>2</sup>
- THERMAL RANGE OF APPLICATION  
THERMISCHER ANWENDUNGSBEREICH  
GAMME D'APPLICATION THERMIQUE  
CAMPO TERMICO D'APPLICAZIONE } -40 °C...+80 °C



TYPE OF PROTECTION (IN CONNECTION WITH PLUG)  
SCHUTZART (IN VERBINDUNG MIT STECKER)  
MODE DE PROTECTION (DANS CONNECTION AVEC FICH)  
TIPO DI PROTEZIONE (IN RELAZIONE CON SPINA) } IP6K7 IP6K9K  
DIN 40050 T.9

RESISTANT TO BESTAENDIG GEGEN } AIR, WATER, MINERAL OIL, PETROL, DIESELOIL, SALTSPRAY  
RESISTANT A LUFT, WASSER, MINERALOEL, BENZIN, DIESELOEL, SALZSPRUEHNELBEL  
RESISTENTE A AIR, EAU, HUILE MINERALE, ESSENCE, GASOIL, BROUILLARD SALIN  
ARIA, AQUA, OLIO MINERALE, BENZINA, GASOLIO, NEBBIA SALINA

\* DIN 16901-150

GENERAL SPECIFICATION: JED-334-0 *		Pro/ENGINEER DRAWING COPYRIGHT	
FURTHER TECHNICAL DATA:		DATE	SIGNATURE
DOC. CODE: SHEET: TO		DRAWN	
GENERAL TOLERANCES		02-09-11 HARNVISM.	
RANGE OF NOMINAL DIMENSIONS ( ± mm)		CHECKED	
CLASS	1) ≤ 50 > 50 > 180 > 400 > 400	02-09-11 HOEFLER	
FINE	0.5 1.0 1.5 2.0	EXPERT CODE	
MEDIUM	1.0 2.0 3.0 4.0 ±3°	7 6 0	
COARSE	2.0 3.5 5.0 6.5	MASS SCALE	
TAPPED HOLES ACC. ISO 4039 / JED-152		PRODUCT IDENTIFICATION NO.	
1) TOLERANCE CLASS APPLIED CROSSMARKED		0.05 KG 1:1	894 601 136 2
DCH-NO. REV. DATE		SIZE TRI	DOC. CODE SHEET
		A 2 142	605 1/1
		FUNCTION CODE SHAPE CODE PRODUCT TYPE	REPLACEMENT FOR
			1 2 X

NON È PERMESSO CONSERVARE A TERTI O RIPRODURRE QUESTO DOCUMENTO, NE UTILIZZARE IL CONTENUTO O REN-  
DERLO ACCESSIBILE AD ALTRI, SENZA IL CONSENSO DELLA WABCO. TUTTI I DIRITTI RISERVATI. DA  
RIPRODURRE, SENZA IL CONSENSO DELLA WABCO, È PUNIBILE PER LA LEGGE. E' FATTA RISERVA SU TUTTI I DIRITTI RISERVATI DA  
BREVETTI O MODELLI.  
COPIING OF THIS DOCUMENT AND GIVING IT TO OTHERS AND THE USE OR COMMUNICATION OF THE CONTENTS THEREOF,  
WITHOUT THE WRITTEN PERMISSION OF WABCO, IS PROHIBITED BY LAW. ALL RIGHTS ARE RESERVED IN THE EVENT OF THE  
ABUSE AND RESULT IN A LIABILITY TO THE PAYMENT OF DAMAGES. ALL RIGHTS ARE RESERVED IN THE EVENT OF THE  
GRANT OF PATENT OR REGISTRATION OF A UTILITY MODEL OR DESIGN. THIS DOCUMENT IS THE SUBJECT OF COPYRIGHT.

TOUTE COMMUNICATION OU REPRODUCTION DE CE DOCUMENT, TOUTE EXPLOITATION DE COMMUNICATION DE SON CONTE-  
NU, SAUS LE CONSENTEMENT ECRIT DE WABCO, EST PROHIBEE PAR LA LOI. TOUTES LES RESERVES DE PROPRIETE  
INDUSTRIELLE RESERVEES. NOTAMMENT EN MATIERE DE BREVETS ET DE MODELES.  
WELTEREABE SOWIE VERLEIHNUNG ODER UNTERLAGEN, VERNEMUNG UND MITTEILUNG IHRES INHALTS NICHT  
OHNE SCHRIFTLICHE ZULASSUNG VON WABCO. ALLE RECHTE SIND VORBEHALTEN. IN FALLE VON PATENT- O  
NUTZUNGSPATENT ODER GEBRAUCHSMUSTER-ENTWURF VORBEHALTEN.