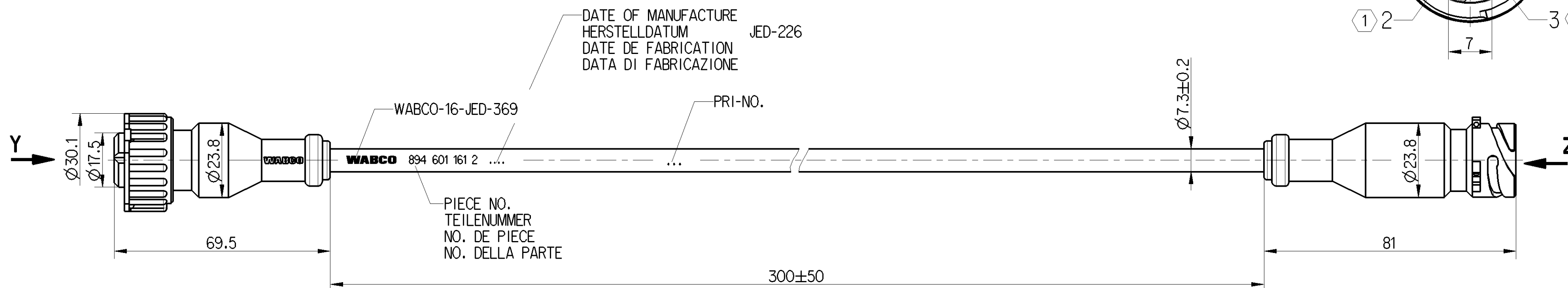
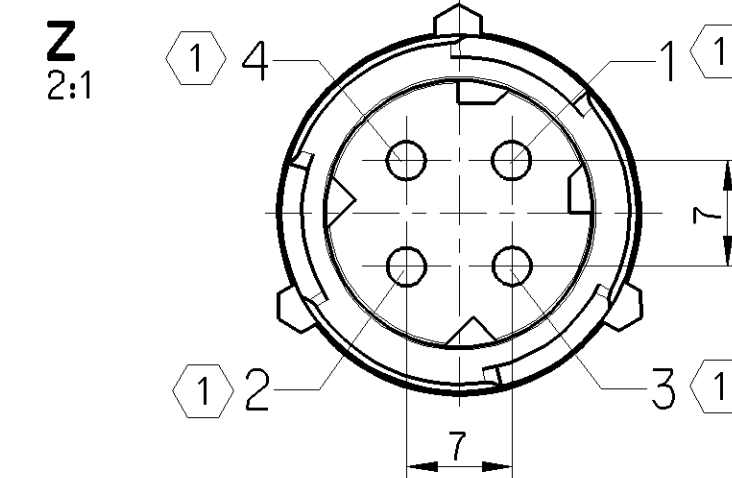


CODE:  
KODIERUNG: ISO 15170-B1-4.1-Sn/K1  
CODE:  
CODICE:



CABLE SHEATH  
KABELMANTEL  
GAINE DU CABLE  
GUAINA CAVO

PUR

SURFACE PROTECTION  
OBERFLAECHENSCHUTZ  
PROTECTION DE SURFACE  
PROTEZIONE SUPERFICI

Sn ①

THERMAL RANGE OF APPLICATION  
THERMISCHER ANWENDUNGSBEREICH  
GAMME D'APPLICATION THERMIQUE  
CAMPO TERMICO D'APPLICAZIONE

-40 °C...+80 °C

INSTALLATION INSTRUCTIONS TO BE OBSERVED  
INSTALLATIONSHINWEIS BEACHTEN  
INDICATION POUR L'INSTALLATION À OBSERVER  
OSSERVARE INDICAZIONE DI MONTAGGIO

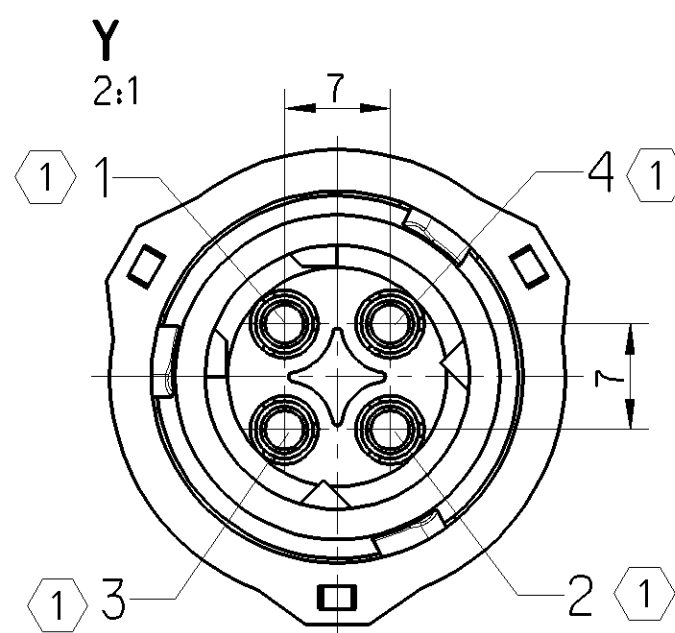
449 000 000 0  
(DOC.CODE 011)

TYPE OF PROTECTION (IN CONNECTION WITH CONNECTOR)  
SCHUTZART (IN VERBINDUNG MIT GEGENSTECKER)  
MODE DE PROTECTION (DANS CONNECTION AVEC CONNECTEUR)  
TIPO DI PROTEZIONE (IN RELAZIONE CON CONNETTORE)

IP 67, IP 6K9K  
ISO 20653

RESISTANT TO  
BESTAENDIG GEGEN  
RESISTANT A  
RESISTENTE A

AIR, WATER, MINERAL OIL, PETROL, DIESELOIL, SALTSPRAY  
LUFT, WASSER, MINERALOEL, BENZIN, DIESELOEL, SALZSPRUEHNEBEL  
AIR, EAU, HUILE MINERALE, ESSENCE, GASOIL, BROUILLARD SALIN  
ARIA, AQUA, OLIO MINERALE, BENZINA, GASOLIO, NEBBIA SALINA



CODE:  
KODIERUNG: ISO 15170-B1-4.1-Sn/K1  
CODE:  
CODICE:

1	YE	1.0mm <sup>2</sup>	YE	C	1
2	RD	1.0mm <sup>2</sup>	RD	C	2
3	GN	1.0mm <sup>2</sup>	GN	C	3
4	BN	1.0mm <sup>2</sup>	BN	C	4

② DIN 16901-150

General Specification: JED-334-1, Size ISO 14405 LP		Copyright WABCO®		<b>WABCO</b>	
Further Technical Data:		Date	Signature		CABLE WITH SOCKET KABEL MIT GERÄTESTECKDOSE CABLE AVEC PRISE DE COURANT CAVO CON PRESA DI CORRENTE
Doc. Code:	Sheet: To	2015-08-05	Hornischmacher		
General Tolerances JED-261		2015-08-05	Drosner		
Range of Nominal Dimensions ( ± mm)		Expert		Overhage	
Class 1)	≤ 50 > 50 ≤ 180 > 180 ≤ 400 > 400	Mass	Scale	Material No.	Date of first issue: 2015-08-05
Fine	± 0.1	0.066 kg	1:1	894 601 161 2	Doc.Code Language Sheet
Medium	± 0.2		2:1		005 ML 1/1
Coarse	± 0.5		Size CAD System		
Tapped Holes occ.		A 2	CREO	ECN-No.	Revision Techn. Resp. Replacement for
1) Tolerance Class Applied Crossmarked				-	- 6270_EM

Non e permesso copiare, o terzi o riprodurre questo documento, re utilizzare il contenuto o renderlo comunque noto o terzi senza autorizzazione esplicita. Ogni infrazione costituisce un evidente abuso e comporterà il risarcimento dei danni subiti. E' fatta riserva di tutti i diritti derivanti da brevetti o modelli.

Copying of this document and giving it to others and the use or communication of the contents thereof, are forbidden without express authority. Contravention of this restriction will constitute an evident abuse and result in a liability to the payment of damages. All rights are reserved in the event of the grant of patent or registration of a utility model or design. This document is the subject of copyright.

Toute communication ou reproduction de ce document, toute exploitation ou communication de son contenu sont interdites, sauf autorisation expresse. Tout manquement a cette regle constitue un abus evident et expose son auteur au versement de dommages et interets. Tous droits de propriete industrielle reserves, notamment en matiere de brevets et de modeles.

Weitergabe sowie Vervielfältigung dieses Urteiles, Verwertung und Mitteilung ihres Inhalts nicht gestattet, soweit nicht ausdrücklich ansonsten, Zuerkennung der Rechte vorbehalten. Alle Rechte fuer den Fall der Patenterteilung oder Gebrauchsmuster-Eintragung vorbehalten.

doc: 894601612...005 / Version: -5 / state: Approved / mod: 894601612...410