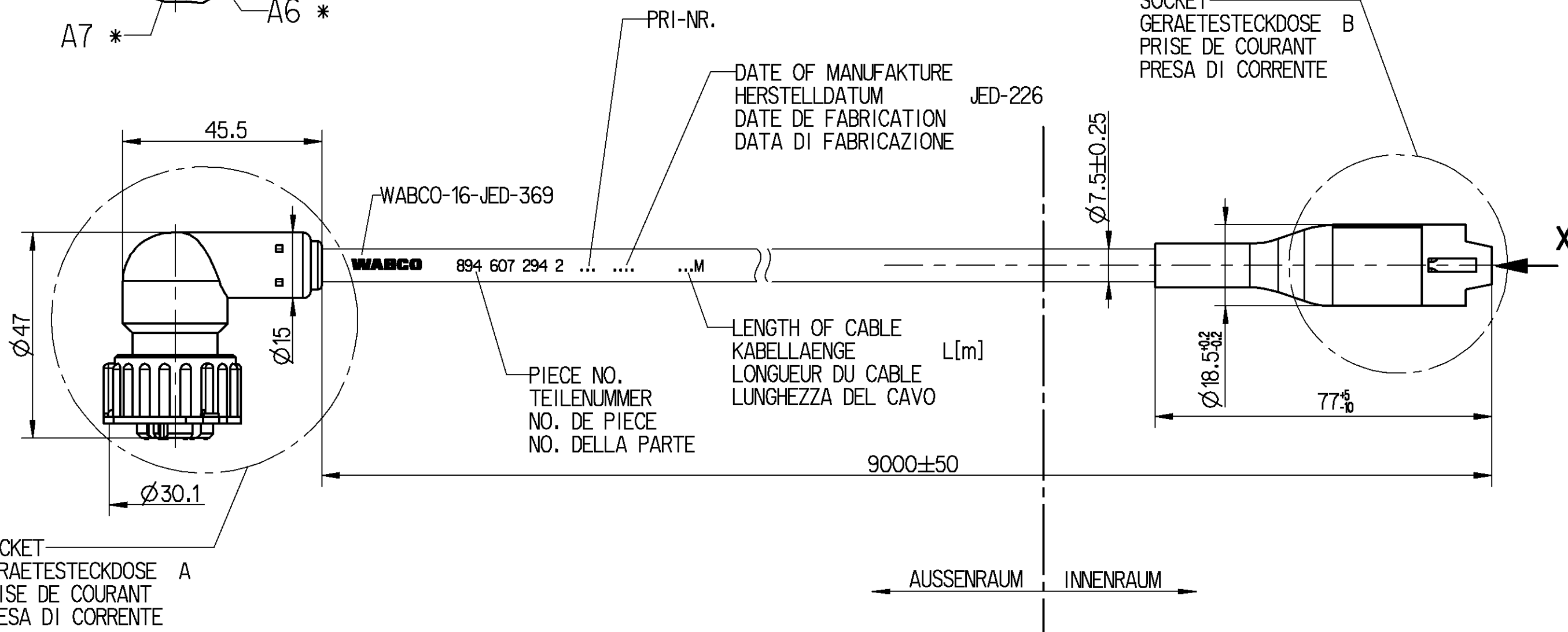
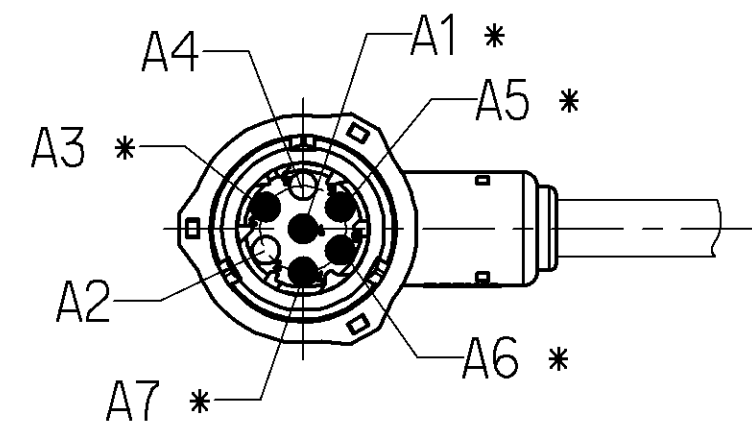
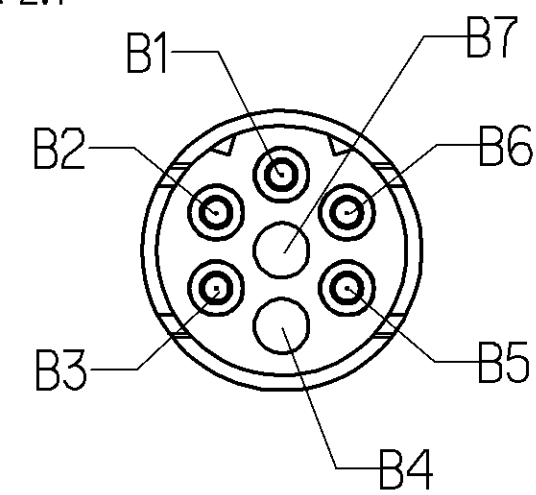


CABLE WITH SOCKET  
KABEL MIT GERÄTESTECKDOSE  
CABLE AVEC PRISE DE COURANT  
CAVO CON PRESA DI CORRENTE

894 607 294 2

X 2:1



DEGREE OF PROTECTION (IN CONNECTION WITH SOCKET):  
SCHUTZART (IN VERBINDUNG MIT GERÄTESTECKDOSE): A: IP 67, IP 6K 9K  
DEGRE DE PROTECTION (DANS CONNECTION AVEC PRISE DE COURANT): DIN 40050  
GRADO DI PROTEZIONE (IN RELAZIONE CON PRESA DI CORRENTE):

THERMAL RANGE OF APPLICATION :  
THERMISCHER ANWENDUNGSBEREICH: -40°C....+80°C  
GAMME D'APPLICATION THERMIQUE:  
CAMPO TERMICO D'APPLICAZIONE :

RESISTANT TO : AIR, WATER, MINERAL OIL, PETROL, DIESEL OIL, SALTS PRAY  
BESTÄNDIG GEGEN: LUFT, WASSER, MINERALÖL, BENZIN, DIESELÖL, SALZSPRÜHNEBEL  
RESISTANT A : AIR, EAU, HUILE MINÉRALE, ESSENCE, GASOIL, BROUILLARD SALIN  
RESISTENTE A : ARIA, AQUA, OLIO MINERALE, BENZINA, GASOLIO, NEBBIA SALINA

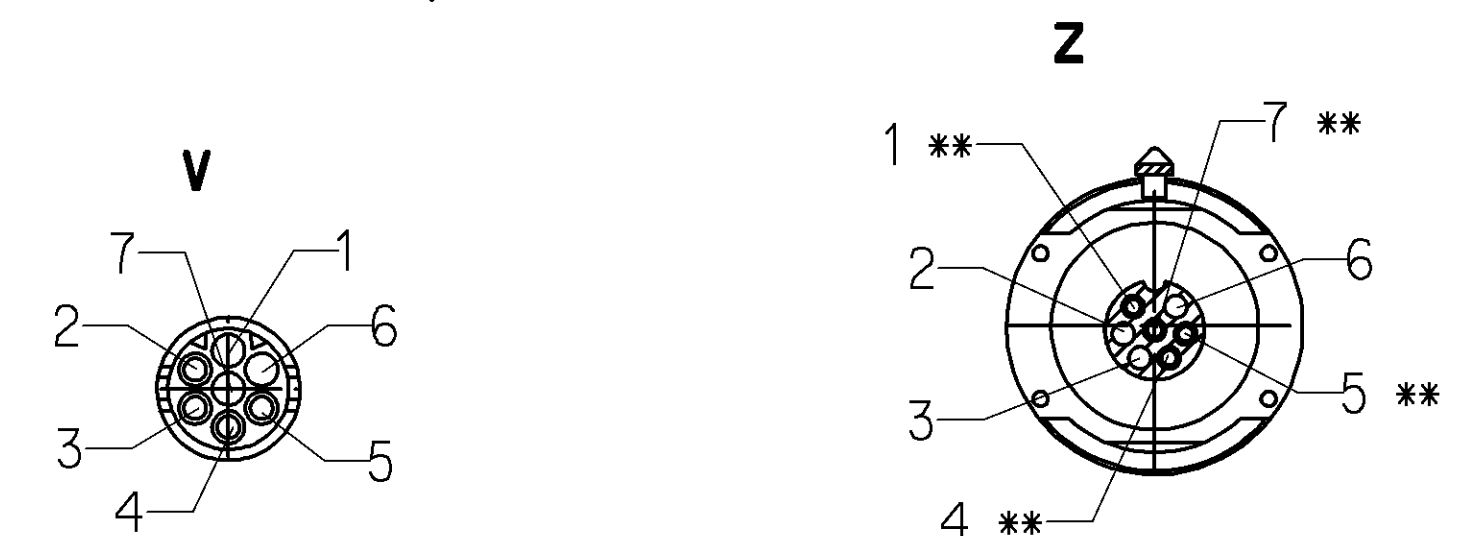
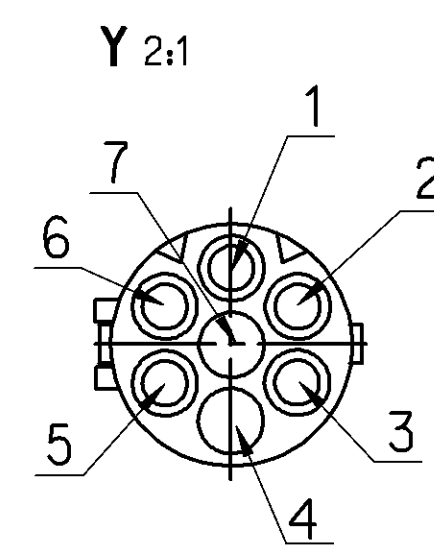
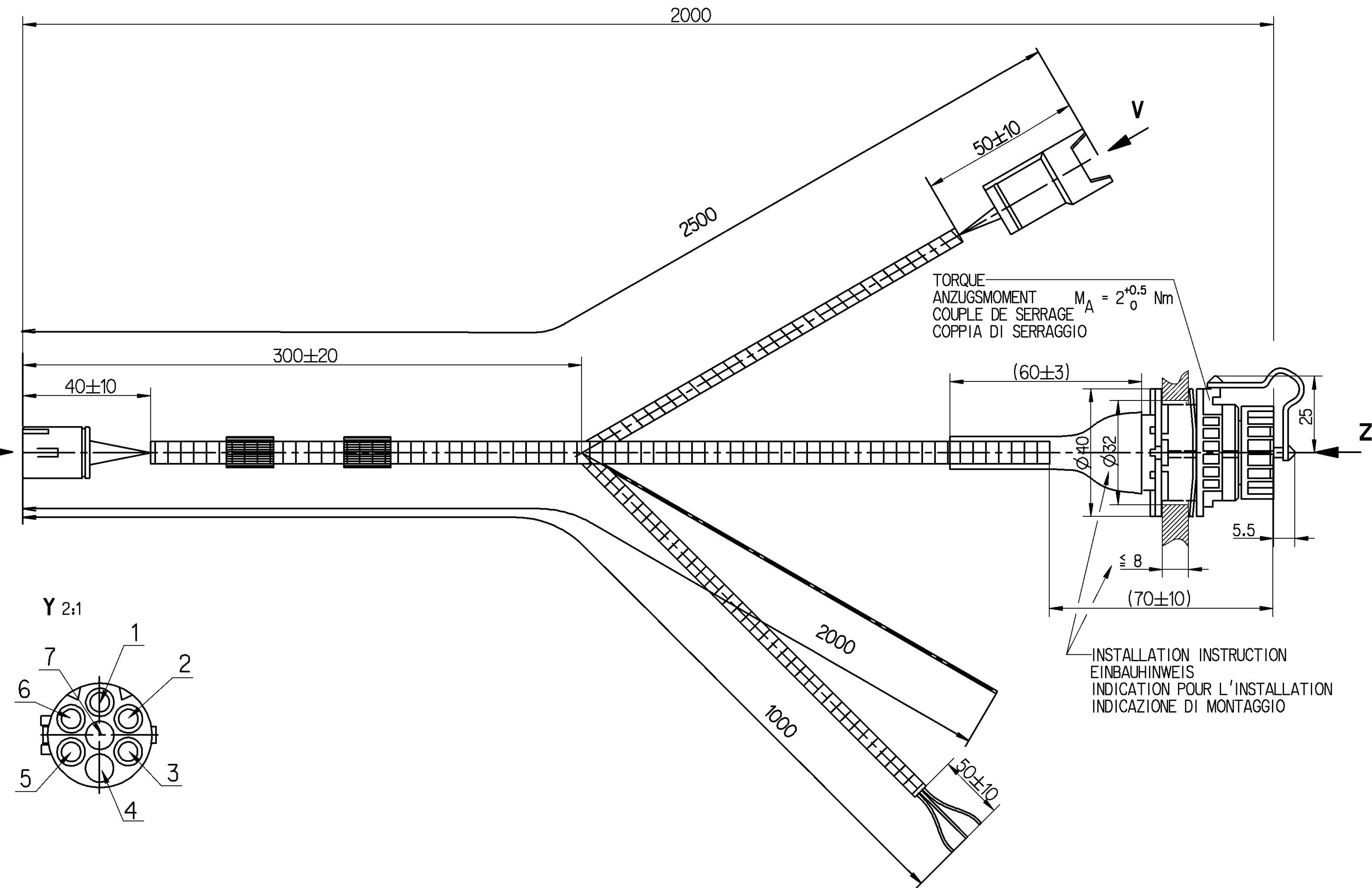
5-CORE CABLE A, B: PUR  
LEITUNG 5-ADRIG 5 x 0.5mm<sup>2</sup>  
CABLE A 5 CONDUCTEURS  
CAVO A 5 CONDUTTORI

SURFACE PROTECTION :  
OBERFLÄCHENSCHUTZ : \* Sn  
PROTECTION DE SURFACE : \*\* Ag  
PROTEZIONE SUPERFICI :

| CHAMBER<br>KAMMER A<br>CHAMBRE<br>CAMERA | CABLE<br>KABEL<br>CABLE<br>CAVO | CROSS SECTION<br>QUERSCHNITT<br>SECTION DE TRANSVERSALE<br>SEZIONE TRASVERSAL | CHAMBER<br>KAMMER B<br>CHAMBRE<br>CAMERA |
|--|---------------------------------|---|--|
| 1  |                                 | 0.5mm <sup>2</sup>  | 3  |
| 2  |                                 |   |  |
| 3  |                                 | 0.5mm <sup>2</sup>  | 5  |
| 4  |                                 |   |  |
| 5  |                                 | 0.5mm <sup>2</sup>  | 6  |
| 6  |                                 | 0.5mm <sup>2</sup>  | 2  |
| 7  |                                 | 0.5mm <sup>2</sup>  | 1  |

WIRING HARNESS  
KABELSATZ  
FAISCEAU ÉLECTRIQUE  
FASCIO DI CAVI

894 607 293 2



|  |                          |                                   |  |                     |  |
|--|--------------------------|-----------------------------------|--|---------------------|--|
| GENERAL SPECIFICATION: JED-334-0       |                          | PRO/ENGINEER DRAWING<br>COPYRIGHT |  | <b>WABCO</b>        |  |
| FURTHER TECHNICAL DATA:                |                          | DATE: 02-10-24                    |  | DRAWN: HARNISCHM.   |  |
| DOC. CODE: SHEET: TO:                  |                          | CHECKED: NIEBER                   |  | WIRING HARNESS      |  |
| GENERAL TOLERANCES                     |                          | EXPERT CODE: 774                  |  | KABELSATZ           |  |
| RANGE OF NOMINAL DIMENSIONS ( ± mm)    |                          | PRODUCT IDENTIFICATION NO.        |  | FAISCEAU ÉLECTRIQUE |  |
| CLASS                                  | 1) ≤ 50 > 50 > 180 > 400 | 894 607 295 0                     |  | FASCIO DI CAVI      |  |
| FINE                                   | 0.5 1.0 1.5 2.0 ±0.1     | FUNCTION CODE: A 1                |  | DOC. CODE: 605      |  |
| MEDIUM                                 | 1.0 2.0 3.0 4.0          | SCALE: 1:1                        |  | SHEET: 1/1          |  |
| COARSE                                 | 2.0 3.5 5.0 6.5          | SIZE: TRI                         |  | REPLACEMENT FOR:    |  |
| TAPPED HOLES ACC. ISO 4039 / JED-532   |                          | DOH-NO. REV. DATE                 |  | 12                  |  |
| 1) TOLERANCE CLASS APPLIED CROSSMARKED |                          | DATE: A 1 142                     |  | 12                  |  |

Dwg.: 894607293\_005