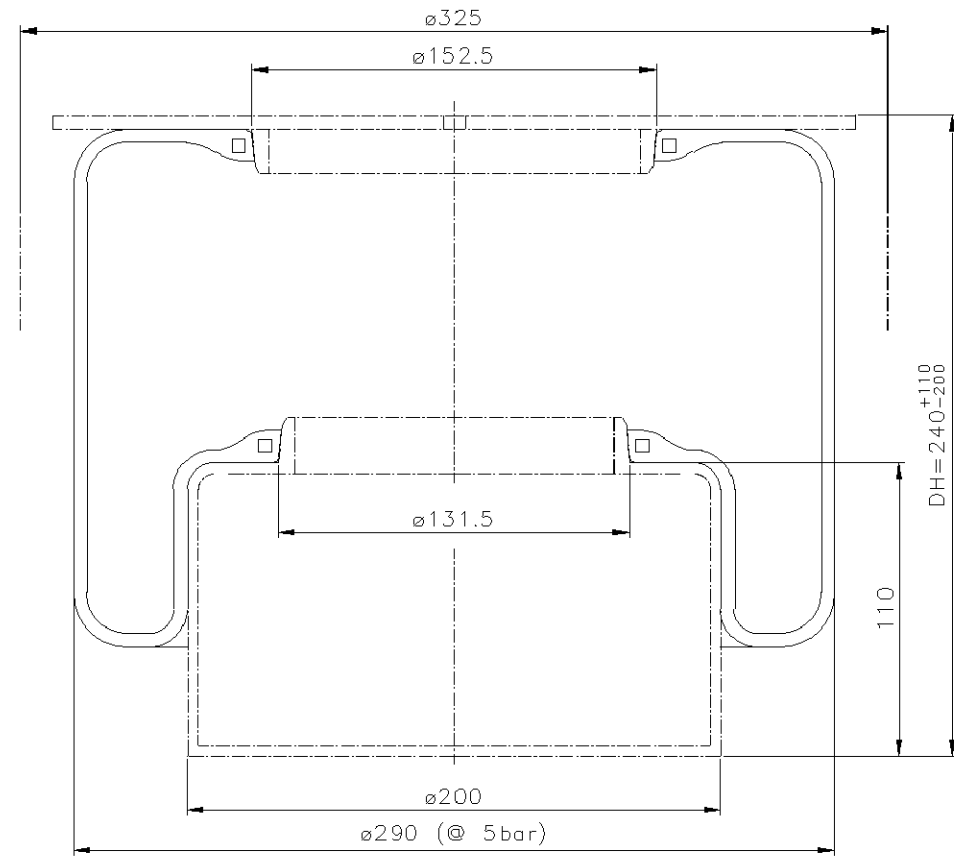
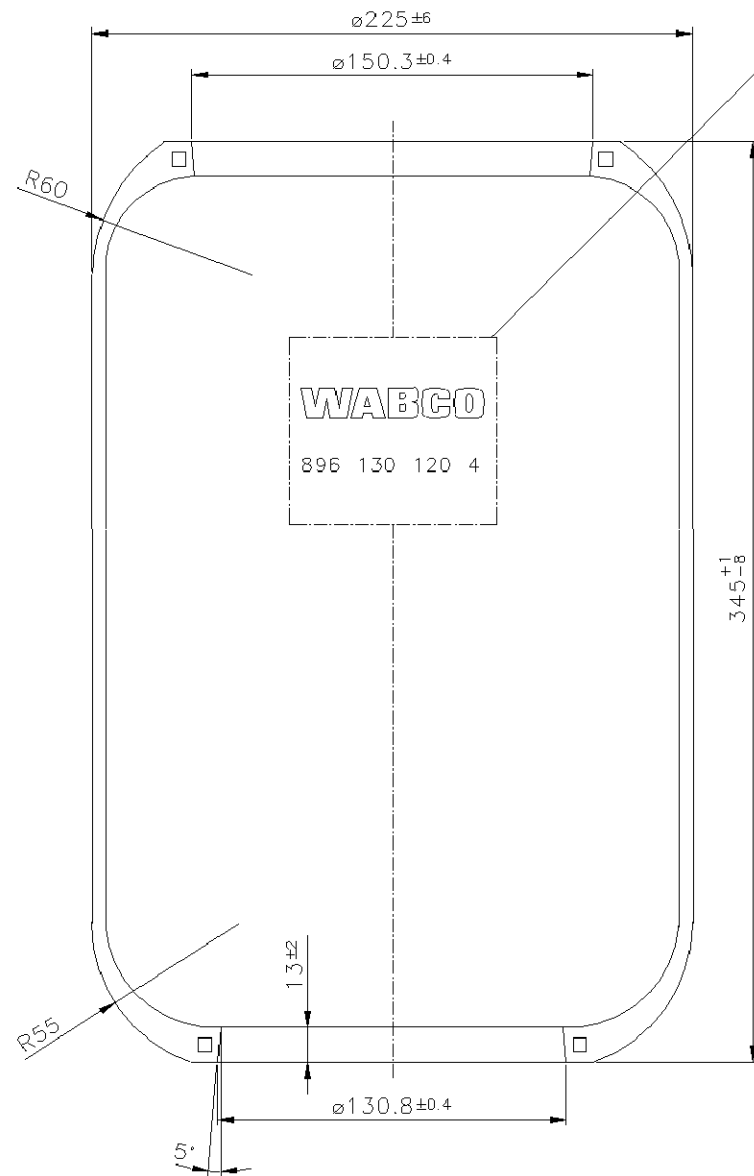


Logo & Wabco Component No.



Drawing editioned by.....date.....20....for MACHINING- ASSEMBLING-INFORMATION									
Dimensions without tolerances according to ISO 2768 mid	2002	Date	Name	Signature					
	Constr.by	jan.02	R. Strel						
	Drawn by:	jan.02	R.Strel						
	Checked by:	jan.02	J.Burch						
Scale:	~	Revision:	01	02	03	04	05	06	07
Weight(kg):	1.68	Date:	17.01.02						
Belong to:	55603903560000_(wabco 896 130 120 4).dwg								
Title:	WABCO 896 130 120 4 (GOODYEAR 9004)								
								 GOODYEAR ENGINEERED PRODUCTS EUROPE <small>Družba sa proizvodnje gumenih tehnoloških izdelkov, d.o.o.</small> This drawing is property of the GY EPE Kranj and can be used only as authorized by it in writing.	
								K556039 035 Drawing number Page	