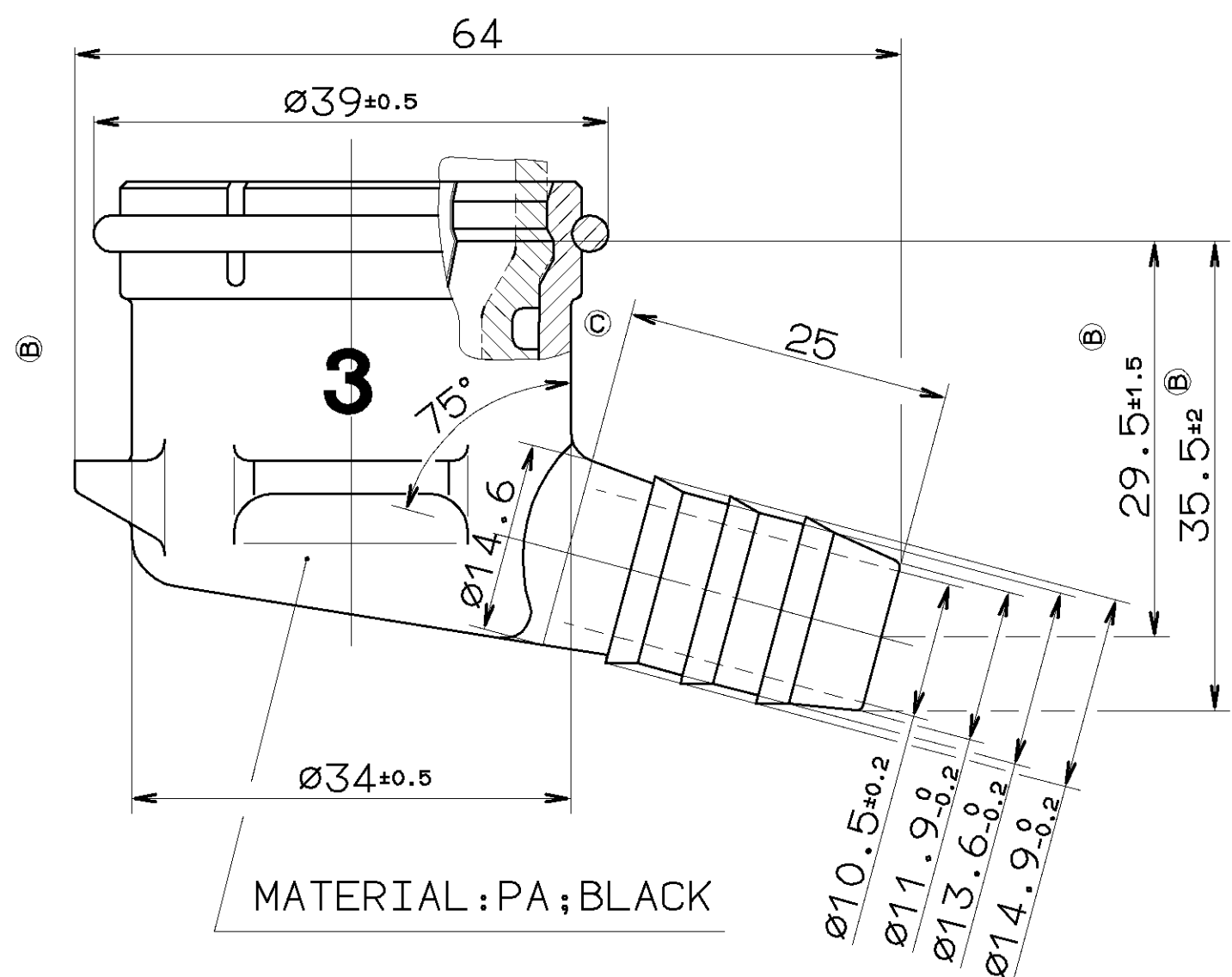
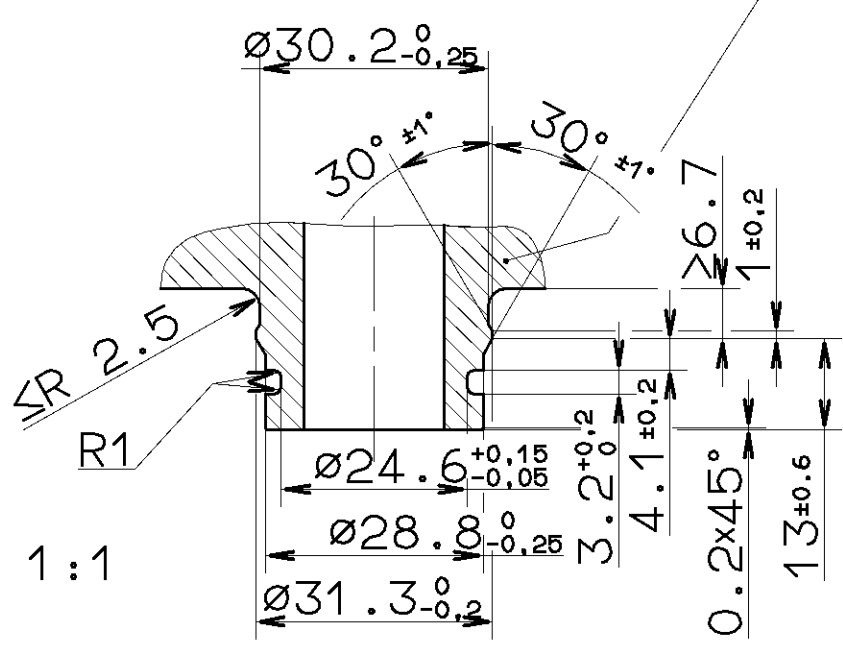


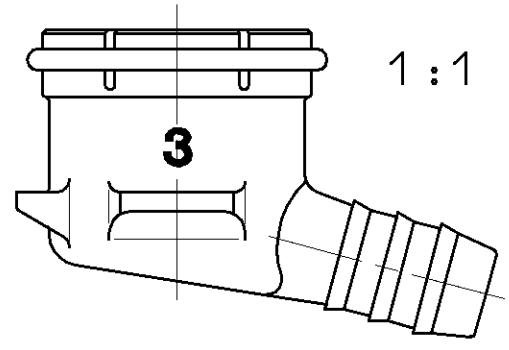
NON E' PERMESSO CONSERVARE A TERZI O RIPRODURRE QUESTO DOCUMENTO. NE UTILIZZARNE IL CONTENUTO O REN-  
DERLO PUBBLICAMENTE ACCESSIBILE. TUTTI I DIRITTI RISERVATI. E' FATTA RISERVA DI TUTTI I DIRITTI DERIVANTI DA  
BREVETTI O MODELLI.  
COPYING OF THIS DOCUMENT AND GIVING IT TO OTHERS AND THE USE OR COMMUNICATION OF THE CONTENTS THEREOF  
ARE FORBIDDEN WITHOUT EXPRESS AUTHORITY. CONTRAVENTION OF THIS RESTRICTION WILL CONSTITUTE AN EVIDENT  
VIOLATION OF THE PATENT RIGHTS OF THE INVENTOR AND THE SUBJECT OF PATENT OR DESIGN. THIS DOCUMENT IS THE SUBJECT OF COPYRIGHT.  
TOUTE COMMUNICATION OU REPRODUCTION DE CE DOCUMENT TOUTE EXPLOITATION OU COMMUNICATION DE SON CONTE-  
NU EN PUBLIC SONT INTERDITES. LE CONTENU DE CE DOCUMENT NE PEUT ETRE COMMUNIQUE A TERCES NI UTILISE EN ABUS  
INDUSTRIELLE. RESERVES. INTALEMENT EN MATIERE DE BREVETS ET DE MODELES.  
WEITERGABE SOWIE Vervielfaeltigung dieser Unterlage, Verwertung und Mitteilung ihres Inhalts nicht  
gestattet. SOWEIT NICHT AUSDRUECKLICH ZUGESTAN- DEN, ZWISCHENHANDLUNGEN STELLEN EINEN OFFENSICHTLICHEN  
MISSBRUCH DAR UND VERPFLICHTEN ZU SCHADENERSATZ. ALLE RECHTE FUER DEN FALL DER PATENTTEILUNG ODER  
GEBRAUCHSMUSTER-EINTRAGUNG VORBEHALTEN.



ASSEMBLY:  
MONTAGE: AUF SCHNAPPBAR AUF KONTUR  
MONTAGE:  
MONTAGGIO:



THERMAL RANGE OF APPLICATION  
THERMISCHER ANWENDUNGSBEREICH -40° C...+80° C  
GAMME D'APPLICATION THERMIQUE  
CAMPO DI APPLICAZIONE TERMICA



EXHAUST  
ENTLUEFTUNG  
ECHAPPEMENT  
SCARICO

MEDIUM: AIR  
MEDIUM: LUFT  
FLUIDE: AIR  
FLUIDO: ARIA

MAX. DYNAMIC PRESSURE  
MAX. STAUDRUCK  
PRESSION DYNAMIQUE MAXI.  
PRESSIONE DINAMICA MAX.  $p_e = 3.5 \text{ bar}$

DORNPROFIL FUER ROHR DIN 74 324 16x2 UND ROHR  
DIN 73 378 15x1.5  
ALLE NICHT ANGEGEBENEN MASSE NACH DIN 73 377-12

|  |   |              |              |
|--|---|--------------|--------------|
| GENERAL SPECIFICATION:                 |   | JED-334      |              |
| FURTHER TECHNICAL DATA:                |   |              |              |
| DOC. CODE:                             | SHEET: TO                               |              |              |
| GENERAL TOLERANCES                     |   |              |              |
| CLASS 1)                               | RANGE OF NOMINAL DIMENSIONS<br>( ± mm ) |              |              |
|  | ≤50                                     | > 50<br>≤180 | >180<br>≤400 |
| FINE                                   | 0,5                                     | 1,0          | 1,5          |
| MEDIUM                                 | 1,0                                     | 2,0          | 3,0          |
| COARSE                                 | 2,0                                     | 3,5          | 5,0          |
| TAPPED HOLES ACC. ISO 4039 / JED-152   |   |              |              |
| 1) TOLERANCE CLASS APPLIED CROSSMARKED |   |              |              |

|         |      |          |
|---------|------|----------|
| 036147  | 1xD  | 87-08-17 |
| 036114  | 1xC  | 87-02-20 |
| 033978  | 4xB  | 86-12-02 |
| 033959  | 1xA  | 86-10-06 |
| DCN-NO. | REV. | DATE     |

|                            |                          |
|----------------------------|--------------------------|
| CADAM-DRAWING<br>COPYRIGHT |                          |
| DATE                       | SIGNATURE                |
| 86-10-06                   | DRAWN: MEINKING          |
| 86-10-06                   | CHECKED: SCHULZ          |
| 86-10-06                   | STANDARDIZATION: PANTZER |
| MASS                       | SCALE                    |
| KG                         | 2:1<br>1:1               |
| SIZE                       | T.R.I.                   |
| A 3                        | 140                      |

**WABCO**

VENTING GUIDE  
ENTLUEFTUNGSSTUECK  
GUIDAGE A ECHAPPEMENT  
GUIDA DI SCARICO

|                            |       |
|----------------------------|-------|
| PRODUCT IDENTIFICATION NO. |       |
| 899 470 291 2              |       |
| DOC. CODE                  | SHEET |
| 605                        | 1/1   |
| REPLACEMENT FOR            |       |
| 889 470 291 2 OF 2 (A)     |       |
| 86-09-01                   |       |