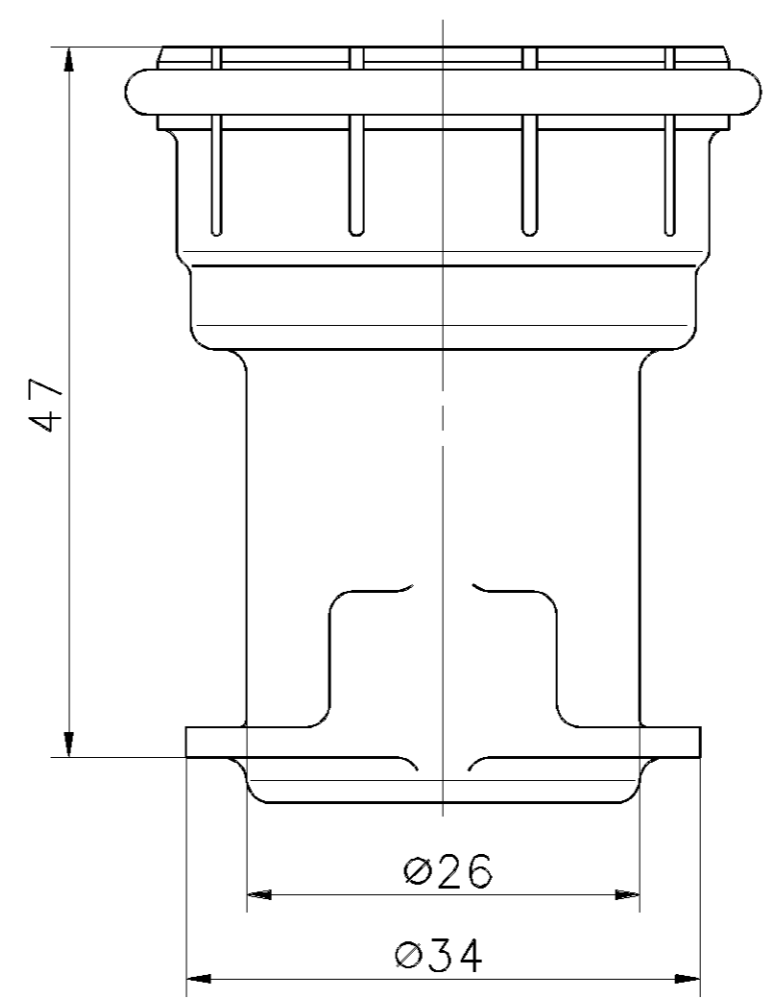
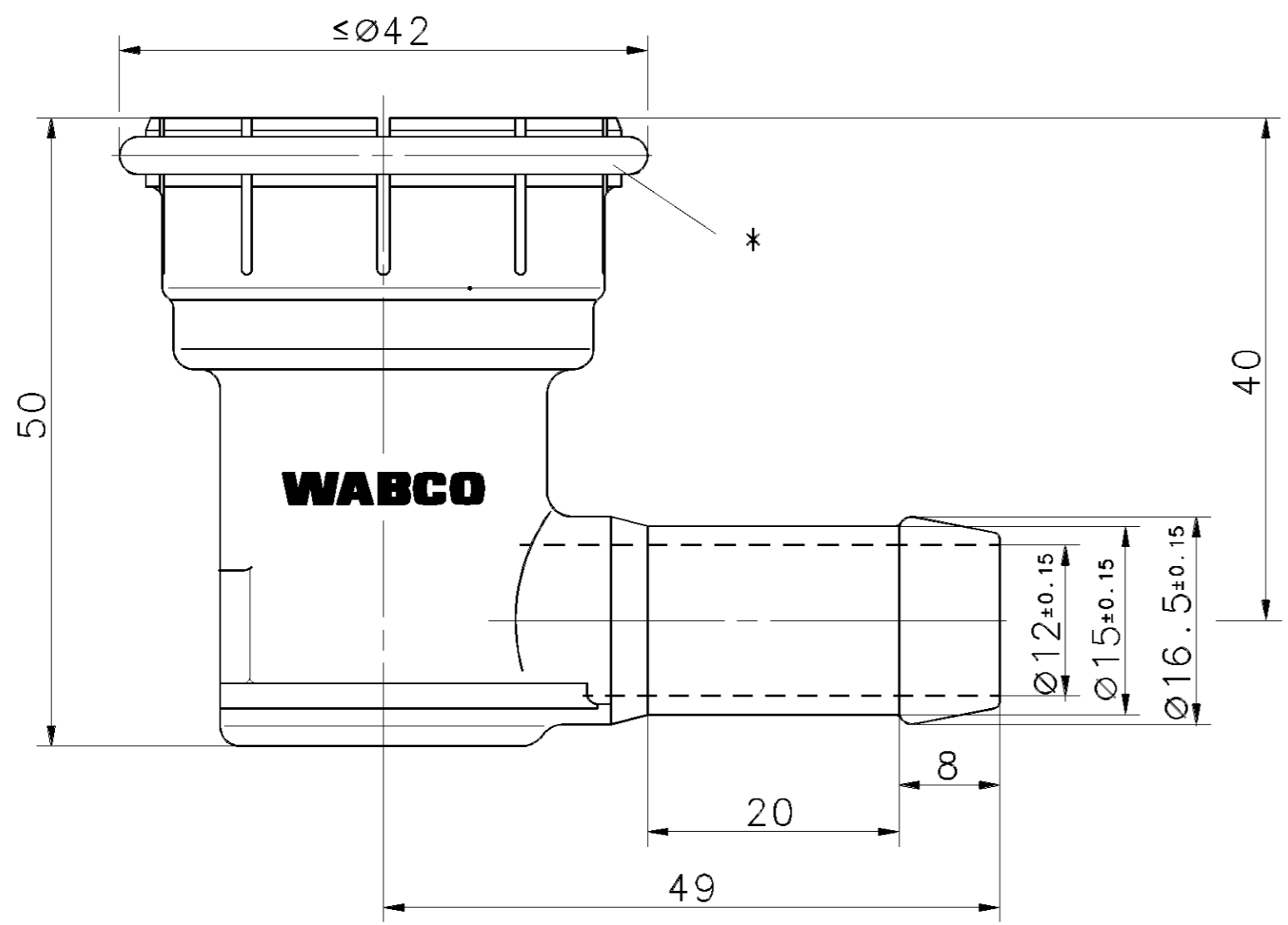


NON È PERMESSO CONCESSIONE A TERZI O RIPRODURRE QUESTO DOCUMENTO. NE UTILIZZARNE IL CONTENUTO O RENDERSI RESPONSABILI. È RISERVATO IL DIRITTO DI TUTTI I DIRITTI DERIVANTI DA BREVETTI O MODELLI. COPIING OF THIS DOCUMENT AND CIRCULATING IT TO OTHERS AND THE USE OR COMMUNICATION OF THE CONTENTS THEREOF, WITHOUT THE WRITTEN PERMISSION OF WABCO, IS PROHIBITED. ALL RIGHTS ARE RESERVED IN THE EVENT OF THE ABUSE AND RESULT IN A LIABILITY TO THE PAYMENT OF DAMAGES. GRANT OF PATENT OR REGISTRATION OF A UTILITY MODEL OR DESIGN, THIS DOCUMENT IS THE SUBJECT OF COPYRIGHT.



MAX. DYNAMIC PRESSURE ^(A)
 MAX. STAUDRUCK $p_e = 8 \text{ bar}$
 PRESSION DYNAMIQUE MAXI.
 PRESSIONE DINAMICA MAX.

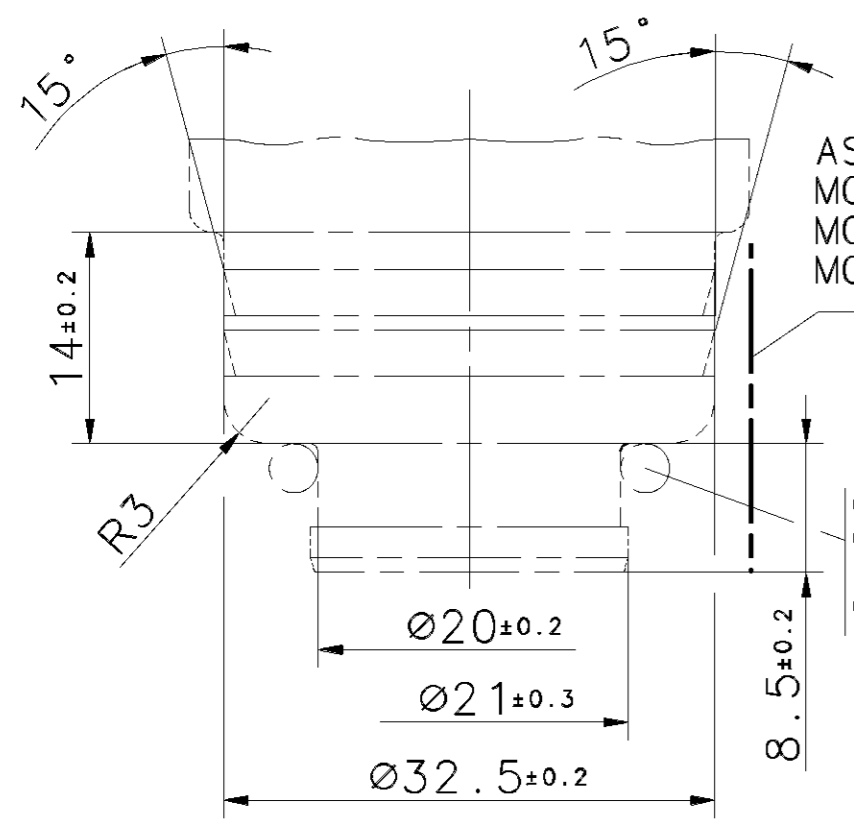
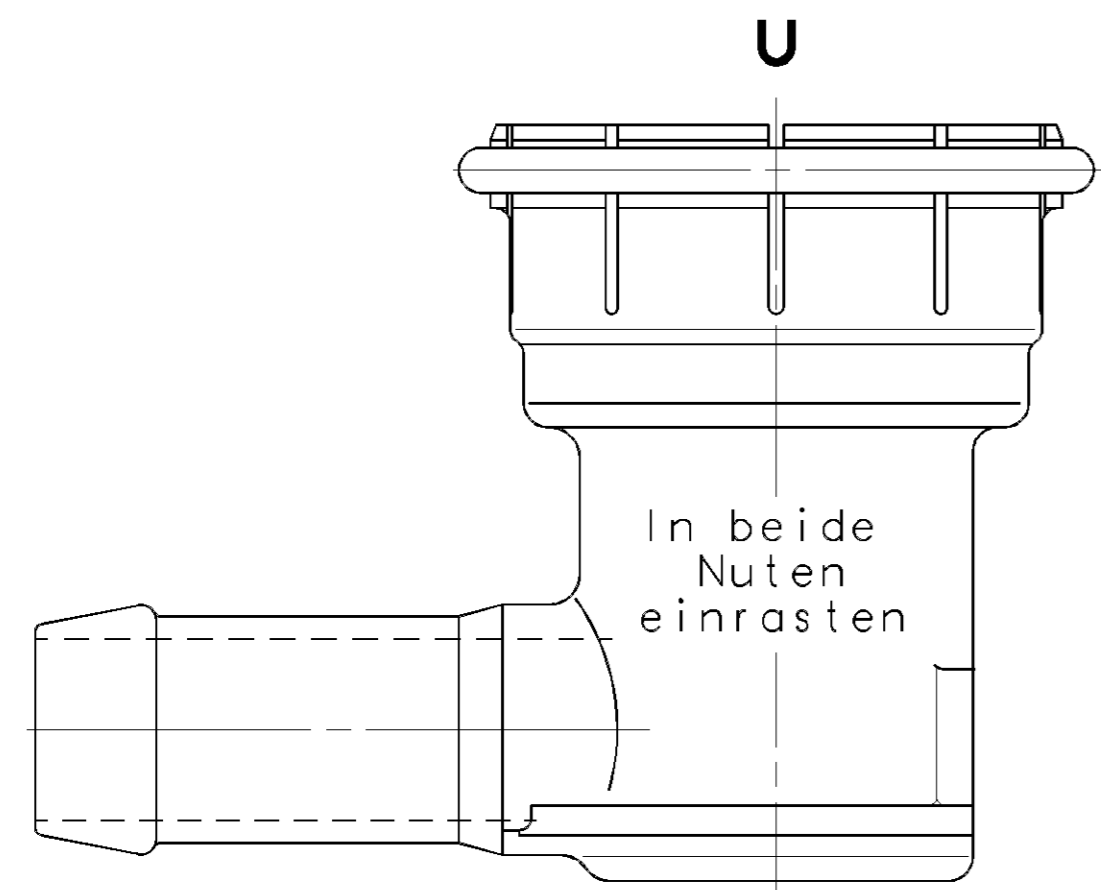
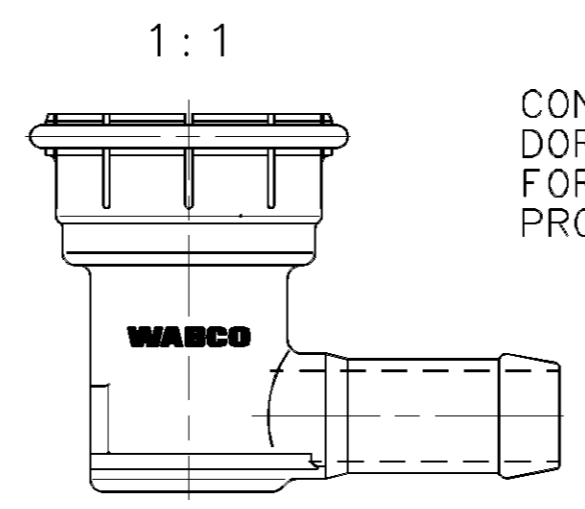
* REMOVE WHEN DISASSEMBLING
 BEI DEMONTAGE ENTFERNEN
 ENLEVER AU DEMONTAGE
 RIMOVVI IN FASE DI SMONTAGGIO

MEDIUM: AIR
 MEDIUM: LUFT
 FLUIDE: AIR
 FLUIDO: ARIA

THERMAL RANGE OF APPLICATION
 THERMISCHER ANWENDUNGSBEREICH $-40^\circ\text{C} \dots +120^\circ\text{C}$
 GAMME D'APPLICATION THERMIQUE
 CAMPO DI APPLICAZIONE TERMICA

MAX. WORKING PRESSURE OF DEVICE TO BE EXHAUSTED
 MAX. BETRIEBSDRUCK DES ZU ENTLUEFTENDEN GERÄTES $p_e = 20 \text{ bar}$
 PRESSION D'UTILISATION MAX. DE L'APPAREIL A ECHAPPER
 PRESSIONE MAX. DI LAVORO DEL COMPONENTE DA SCARICARE

1:1
 CONTOUR OF THE HOSE DIN 74310-13
 DORNPROFIL FUER SCHLAUCH DIN 74310-13
 FORME DE L'EMBOUT DIN 74310-13
 PROFILO DEL MANICOTTO DIN 74310-13



ASSEMBLY : LOCK IN BOTH GROOVES
 MONTAGE : IN BEIDE NUTEN EINRASTEN
 MONTAGE : ENCLIQUETER DANS LES DEUX GORGES
 MONTAGGIO : INQUAGGIARE IN ENTRAMBE LE SCANALATURE

O-RING
 O-RING
 JOINT TORQUE
 O-RING
 CONDITIONS OF APPLICATION SEE PRODUCT SPECIFICATION
 EINSATZBEDINGUNGEN SIEHE PRODUKTSPEZIFIKATION
 CONDITIONS D'APPLICATION VOIR SPECIFICATION DU PRODUIT
 CONDIZIONI DI APPLICAZIONE VEDERE SPECIFICA DI PRODOTTO

GENERAL SPECIFICATION:		JED-334	
FURTHER TECHNICAL DATA:			
DOC. CODE:	SHEET:	TO	
GENERAL TOLERANCES (JED 261)			
CLASS	RANGE OF NOMINAL DIMENSIONS (± mm)		
	≤ 50	> 50 ≤ 180	> 180 ≤ 400
FINE	0,5	1,0	1,5
MEDIUM	1,0	2,0	3,0
COARSE	2,0	3,5	5,0
TAPPED HOLES ACC. ISO 4039 / JED-152			
1) TOLERANCE CLASS APPLIED CROSSMARKED		DCN-NO.	REV.
		052609	1xA
		99-10-20	93-03-12

CADAM-DRAWING COPYRIGHT		WABCO	
DATE	SIGNATURE	DRAWN:	
		92-11-20 MEINKING	
		CHECKED:	
		92-11-20 RISTIC	
		STANDARDIZATION:	
		92-11-20 PANTZER	
MASS	SCALE	PRODUCT IDENTIFICATION NO.	
	2:1	899 470 296 2	
KG	1:1	DOC. CODE	SHEET
		605	1/1
SIZE	T.R.I.	SHAPE CODE	
A 2	140	REPLACEMENT FOR	