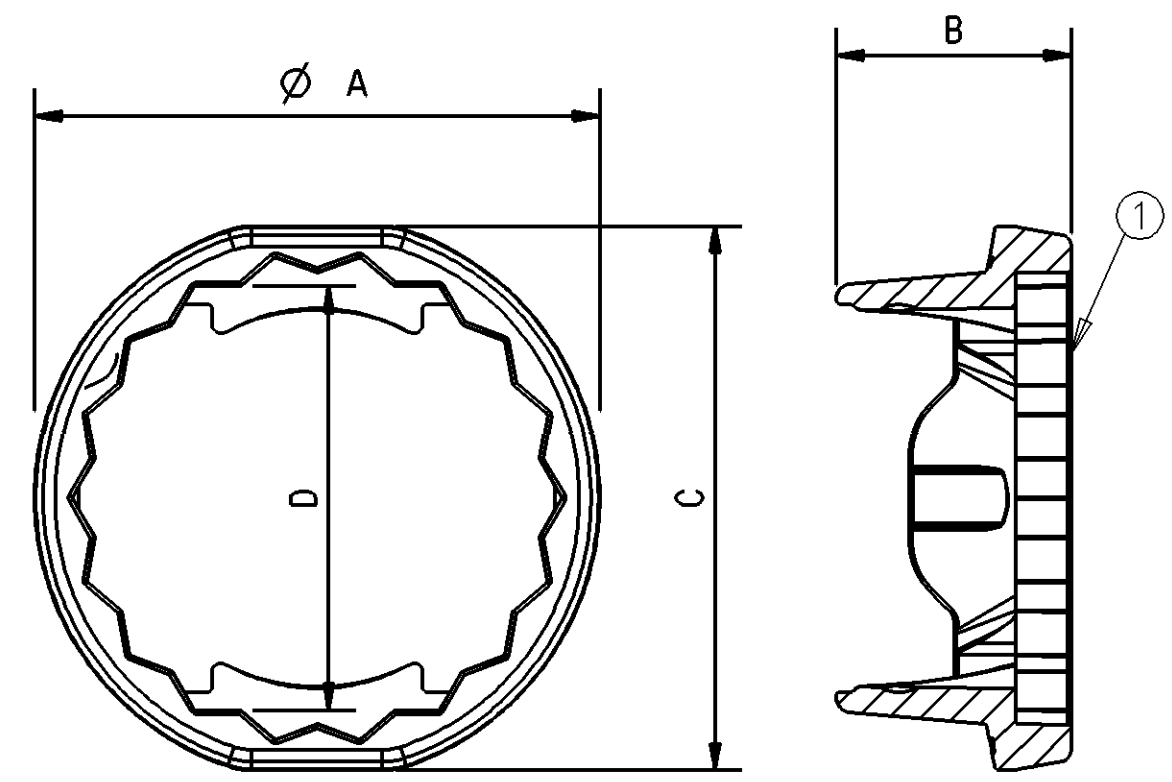
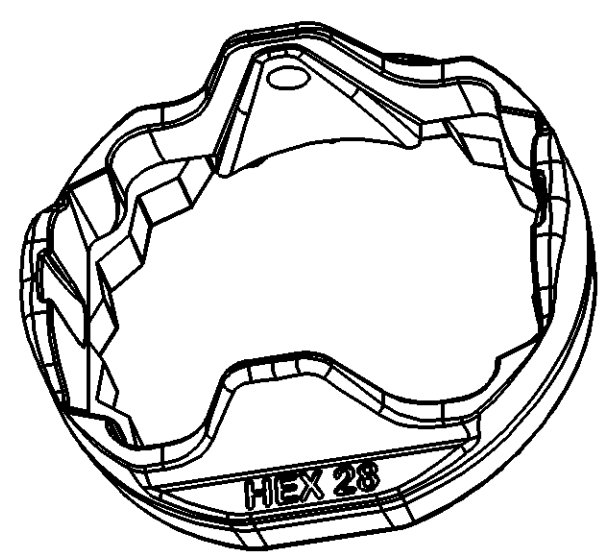


RA DAK/CAD US	Symb.	Rate/Sgr.	Forandring/Revision	Em.nr./ECO.no.	Dato/Date/Sign.	Gkj./App.
---------------	-------	-----------	---------------------	----------------	-----------------	-----------



WABCO PART NUMBER	RAUFOSS CODE	Size	HEXAGON KEY WIDTH	A	B	C	Colour	Weight [g]
			h11	± 0,3	± 0,3	± 0,3		
8997001114	96442016	Small	16	27,5	11,4	26,3	Dark gray RAL 7030	(1,7)
8997001124	96442018		18				Light gray RAL 7035	(1,6)
8997001134	96442022		22				Light gray RAL 7035	(1,4)
8997001144	96452018	Regular	18	31,8	13,3	30,7	Light gray RAL 7035	(2,6)
8997001154	96450020		20				Dark gray RAL 7030	(2,4)
8997001164	96450022		22				Light gray RAL 7035	(2,4)
8997001174	96452028	Heavy Duty	28	35,5		33,7	Dark gray RAL 7030	(3)
8997001184	96460022		22				Light gray RAL 7035	(4,2)
8997001194	96462028		28				Dark gray RAL 7030	(3,8)



Position increments ± 10°

WORKING PRESSURE: 0-12,5 bar
 WORKING TEMPERATURE: Max 100°C / Min -40°C

Dimension "D": Functional testing on Hex key nut

Stk.nr./Pos.no.	Gjenstand/Object/Dim.	Ant./No. pr. Sett	Matr.	Dim./Vekt av emne/Material weight	Norm nr./no.	Anmerking/Note
Tgn./Drw.	EvMo 2009-10-22	Proj.	Gen. ruhet/roughness	Gen. toler.	Målestokk/Scale	Ref. tegn./Ref. drawing
Ktrl./Ctrl.	AGM 2009-10-27		Erstatning/Replacement for:	Erstattet av/Replaced by:	2:1	
Klr./Chr.						
Gkj./App.	GeLi 2009-10-27	RAUFOSS ABC RotoLock Design record 001-1414 Arkiv nr./File no. Sign.				

Cleanliness requirement:

Class: K00 according JED-593

Area: for the whole part (Special agreements possible; to be agreed with Product Engineering)

No	Part	Material
1	BODY	PA

Suitable for use in air brake systems for commercial vehicles

General Specification : JED-762 ; JED-622 ; JED-271 ; JED-220

Engineering related agreements with Supplier have to be mentioned in the "Release of Supplier"

Raufoss ABC couplings can be used with polyamide (PA 6.10, PA 10.10, PA 10.12, PA 11, PA 12) or Hytrel tubing to one of the following standards:

- ISO 7628
- DIN 74324
- DIN 73378
- SAE J844

Peak-temperature up to +130°C (pressure less, for a period of approximately 2 hours.)

Please take into consideration the max allowed tube operation pressure.

Raufoss ABC couplings from Kongsberg Automotive is approved and certified by: TÜV Nord

For any further specific requirements, applications of our product or support for technical solutions, please ask for individual consultation from Kongsberg Automotive, our subsidiary Kongsberg Raufoss Distribution SAS.

General Specification: JED-334-0 , Size ISO 14405-1 E		Copyright WABCO®		WABCO	
Further Technical Data: 893 000 001 0		Date	Signature	Tool	
Doc. Code: 035	Sheet: To	2013-08-28	Saravanan		
General Tolerances JED-261		Checked			
Range of Nominal Dimensions (± mm)		2013-09-12	Kaufmann		
Class 1)	≤ 50	> 50 ≤ 180	> 180 > 400	Expert	
Fine	X 0,5	1,0	1,5	2,0	Material No. 899 700 120 4
Medium	1,0	2,0	3,0	4,0	
Coarse	2,0	3,5	5,0	6,5	±3°
Tapped Holes acc.		Mtss	Scale	Date of first issue:	
1) Tolerance Class Applied Crossmarked		Size	CAD System	Doc.Code	Language
		A 2	Pro/E	053	EN
				Revision	Techn. Resp.
				5790	1/1
				Replacement for	

Non è permesso copiare o terzi o riprodurre questo documento, né utilizzare il contenuto o renderlo comunque noto a terzi senza permesso scritto dalla WABCO. È vietata espressamente la ristampa, la traduzione, la riproduzione, la distribuzione, la comunicazione o l'uso in qualsiasi modo. E' vietata espressamente la ristampa, la traduzione, la riproduzione, la distribuzione, la comunicazione o l'uso in qualsiasi modo. Toute communication ou reproduction de ce document, toute exploitation ou communication de son contenu sont interdites, sauf autorisation expresse. Tout manquement à cette règle constitue un abus évident et expose son auteur au versement de dommages et intérêts. Tous droits de propriété industrielle réservés, notamment en matière de brevets et de modèles. Weitergabe sowie Vervielfältigung dieses Unterlagen, Verwertung und Mitteilung ihres Inhalts nicht gestattet, soweit nicht ausdrücklich zugelassen. Zuwiderhandlungen stellen einen strafrechtlichen Missbrauch dar und verpflichten zu Schadensersatz. Alle Rechte für den Fall der Patentierung oder Gebrauchsmuster-Eintragung vorbehalten.