

Ø11f11	-0.016 -0.126
Ø13H11	+0.110 0

CLAMPING FORCE  
KLEMMKRAFT  
FORCE DE SERRAGE  
FORZA DI SERRAGGIO

80 <sup>+60</sup>/<sub>-20</sub> N (IM HALTEBEREICH)

MATERIAL  
WERKSTOFF  
MATIERE  
MATERIALE

JED-385 (Cu Be 2, 1/4 HART  
AUSGELAGERT AUF 1300 N/mm<sup>2</sup>)

THERMAL RANGE OF APPLICATION  
THERMISCHER ANWENDUNGSBEREICH  
GAMME D'APPLICATION THERMIQUE  
CAMPO TERMICO D'APPLICAZIONE

-40°C...+180°C

GREASE IN BORE PERMISSIBLE  
FETTEN IN DER BOHRUNG ZULAESSIG  
GRAISSE DANS L'ALESAGE ADMISE  
AMMESSO GRASSO NEL FORO

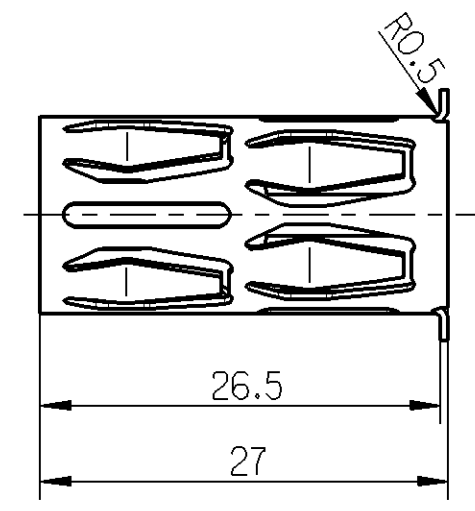
JED-564

RESISTANT TO  
BESTAENDIG GEGEN  
RESISTANT A  
RESISTENE A

AIR, MINERAL OIL, WATER, PETROL, DIESELOIL, SALT SPRAY  
LUFT, MINERALOEL, WASSER, BENZIN, DIESELOEL, SALZSPRUEHNEBEL  
AIR, HUILE MINERALE, EAU, ESSENCE, GASOIL, BROUILLARD SALIN  
ARIA, OLIO MINERALE, ACQUA, BENZINA, GASOLIO, NEBBIA SALINA

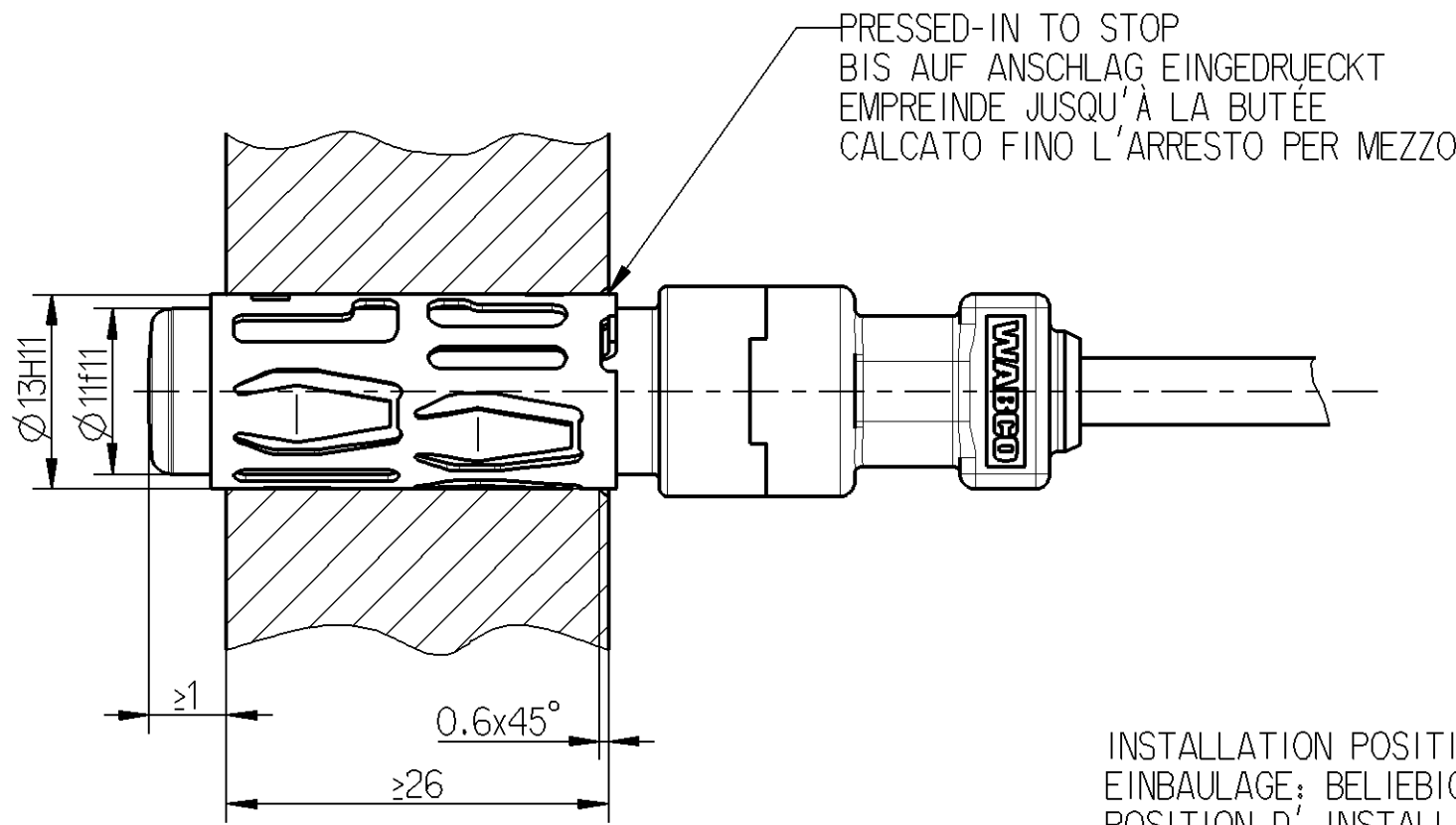
FOR FURTHER TECHNICAL DATA SEE PRODUCT SPECIFICATION  
WEITERE TECHNISCHE DATEN SIEHE PRODUKT SPEZIFIKATION  
POUR AUTRES DONNEES TECHNIQUES VOIR PRODUCT SPECIFICATION  
PER ULTERIORI DATI TECNICI VEDERE SPECIFICA DI PRODOTTO

899 759 882 4

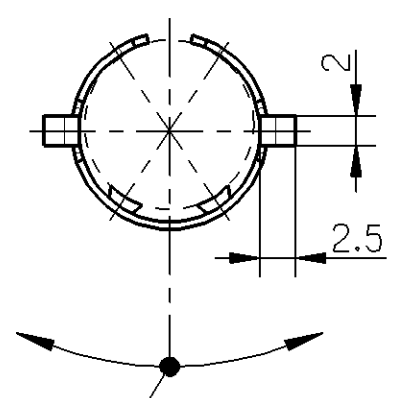


INSTALLATION POSITION  
EINBAULAGE  
POSITION D'INSTALLATION  
POSIZIONE DI MONTAGGIO

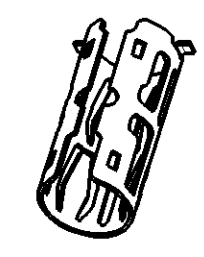
0° - 90°



INSTALLATION POSITION: OPTIONAL  
EINBAULAGE: BELIEBIG  
POSITION D'INSTALLATION: À VOLONTÉ  
POSIZIONE DI MONTAGGIO: A SCELTA



1:1



Non è permesso copiare o terzi o riprodurre questo documento, né utilizzare il contenuto o reperire comunque noto o terzi  
 autorisation expresse. Tout manquement à cette règle constitue un abus évident et expose son auteur au versement de dommages et  
 intérêts. Tous droits réservés. E' fatto riserva di tutti i diritti. Behavall. da. prevento a model. it. to others and the use or communication of the contents thereof, are forbidden without express  
 permission of the copyright holder. Copying of this document and giving it to others and the use or communication of the contents thereof, are forbidden without express  
 permission of the copyright holder. Alle Rechte vorbehalten.

General Specification: JED-334-0			Copyright WABCO®		<b>WABCO</b>		
Further Technical Data:			Date	Signature	CLAMPING BUSH		
Doc. Code: Sheet: To			2006-02-08	Harnischmacher	KLEMMBUCHSE		
General Tolerances JED-261			2006-03-29	Hoefler	BAGUE DE SERRAGE		
Class 1) Range of Nominal Dimensions ( ± mm)			Expert		BUSSOLA DI SERRAGGIO		
Fine			Hoefler		Material No.		
Medium X			Mass		WABCO Id. No.: 8997598824		
Coarse			Scale		899 759 882 4		
Tapped Holes acc.			0.003 KG		Doc.Code Language Sheet		
State of Revision			2:1		605 en/de fr/it 1/1		
1) Tolerance Class Applied Crossmarked			1:1		Function Code CAD System Prod.Type Replacement for		
			A 2 530		Pro/E 1 2 X		

100mm