

Non e permesso consegnare a terzi o riprodurre questo documento, ne utilizzare il contenuto o renderlo comunque noto a terzi senza autorizzazione esplicita. Ogni infrazione costituirà un evidente abuso e comporterà il risarcimento dei danni subiti. E' fatto riserva di tutti i diritti derivanti da brevetti o modelli.

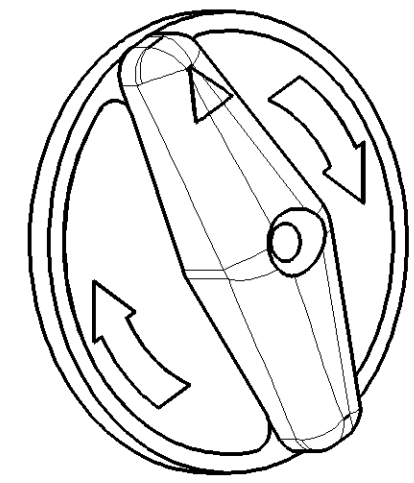
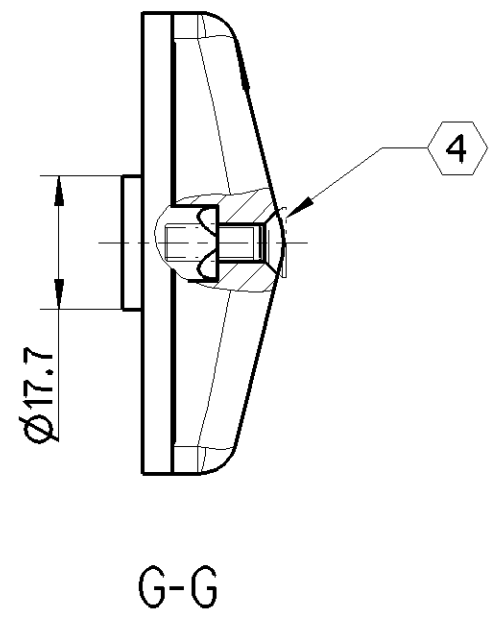
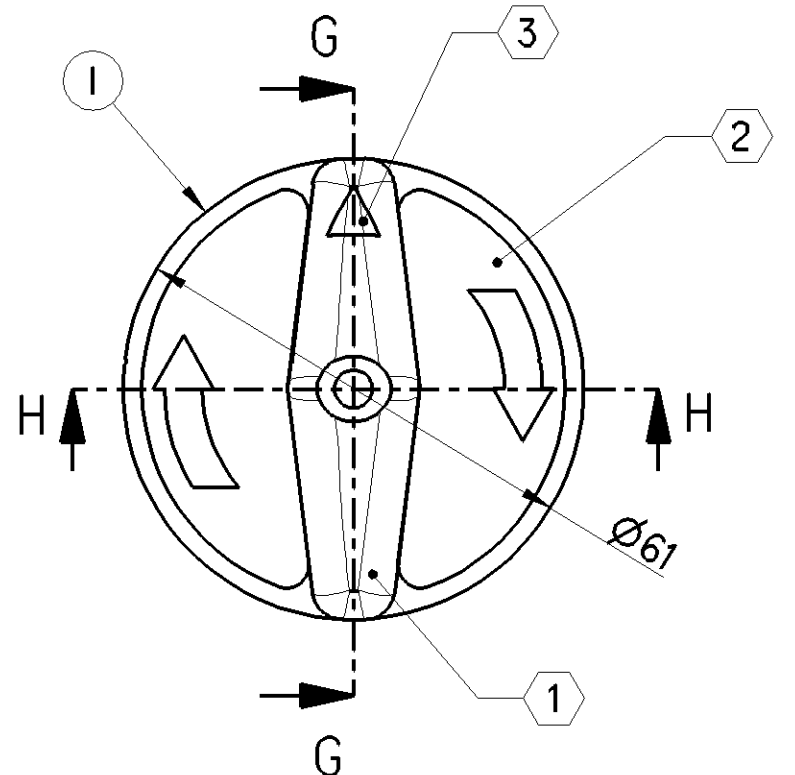
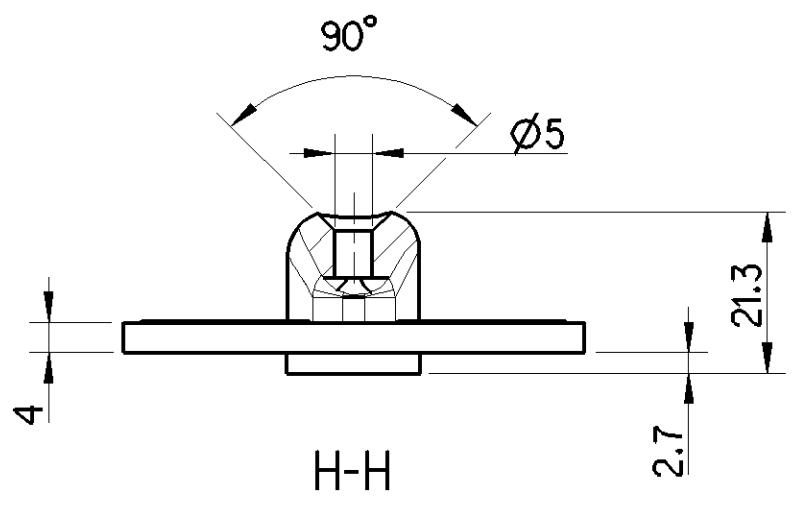
Copying of this document and giving it to others and the use or communication of the contents thereof, are forbidden without express authority. Controvention of this restriction will constitute an evident abuse and result in a liability to the payment of damages. All rights are reserved in the event of the grant of patent or registration of a utility model or design. This document is the subject of copyright.

Toute communication ou reproduction de ce document, toute exploitation ou communication de son contenu sont interdites, sauf autorisation expresse. Tout manquement a cette regle constitue un abus evident et expose son auteur au versement de dommages et interets. Tous droits de propriete industrielle reserves, notamment en matiere de brevets et de modesles.

Weitergabe sowie Vervielfaeligung dieser Unterlage, Verwertung und Mitteilung ihres Inhalts nicht gestattet, soweit nicht ausdruecklich zugestanden. Zuwiderhandlungen stellen einen offensichtlichlichen Misbrauch dar und verpflichten zu Schadenersatz. Alle Rechte fuer den Fall der Patenterteilung oder Gebrauchsmuster-Eintragung vorbehalten.

| PART CODE | MATERIAL | SURFACE PROTECTION |
|-----------|-----------|--------------------|
| I | ALUMINIUM | VARNISH |

| | | |
|------|-----------------------------|---|
| <1> | SAFETY CHARACTERISTICS | 0 |
| <2> | SIGNIFICANT CHARACTERISTICS | 0 |
| <CI> | CUSTOMER INTERFACE | 0 |



- ① HANDLE: RED
- ② DIRECTION LABEL: YELLOW
- ③ ARROW MARK: WHITE
- ④ RECOMMENDED SCREW: M5x16 COUNTERSUNK SCREW

General Specification: JED-334-1, Size ISO 14405 LP

Further Technical Data: -

Doc. Code: - Sheet: - To -

General Tolerances JED-261

| Class | Range of Nominal Dimensions (± mm) | | | | | Symbol |
|--------|-------------------------------------|------------|-------------|-------|-----|--------|
| | ≤ 50 | > 50 ≤ 180 | > 180 ≤ 400 | > 400 | | |
| Fine | 0.5 | 1.0 | 1.5 | 2.0 | ±3° | |
| Medium | X 1.0 | 2.0 | 3.0 | 4.0 | | |
| Coarse | 2.0 | 3.5 | 5.0 | 6.5 | | |

Tapped Holes acc.

1) Tolerance Class Applied Crossmarked

Copyright WABCO®

| | |
|-------------|--------------|
| Date | Signature |
| 2020-02-19 | Sathishkumar |
| 2020-02-19 | Ganesan |
| Expert | |
| Sathulameed | |

| | | |
|---------|------------|---------------|
| Mass | Scale | Material No. |
| 0.04 KG | 1:1 | 899 851 693 4 |
| Size | CAD System | |
| A 3 | CREO | |

| | | |
|---------------------------------|----------|--------------|
| WABCO | | |
| HAND GRIP | | |
| Date of first issue: 2020-02-19 | Doc.Code | Language |
| | 005 | EN |
| | | 1/1 |
| ECN-No. | Revision | Techn. Resp. |
| - | - | 5620 |
| Replacement for | | |
| - | | |

