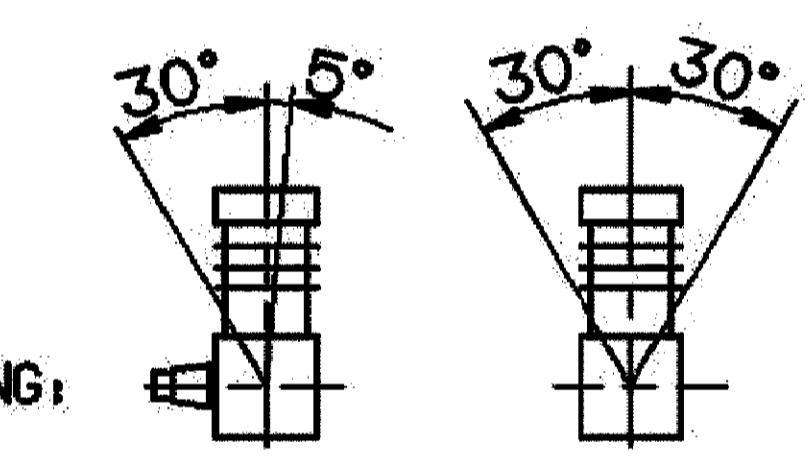


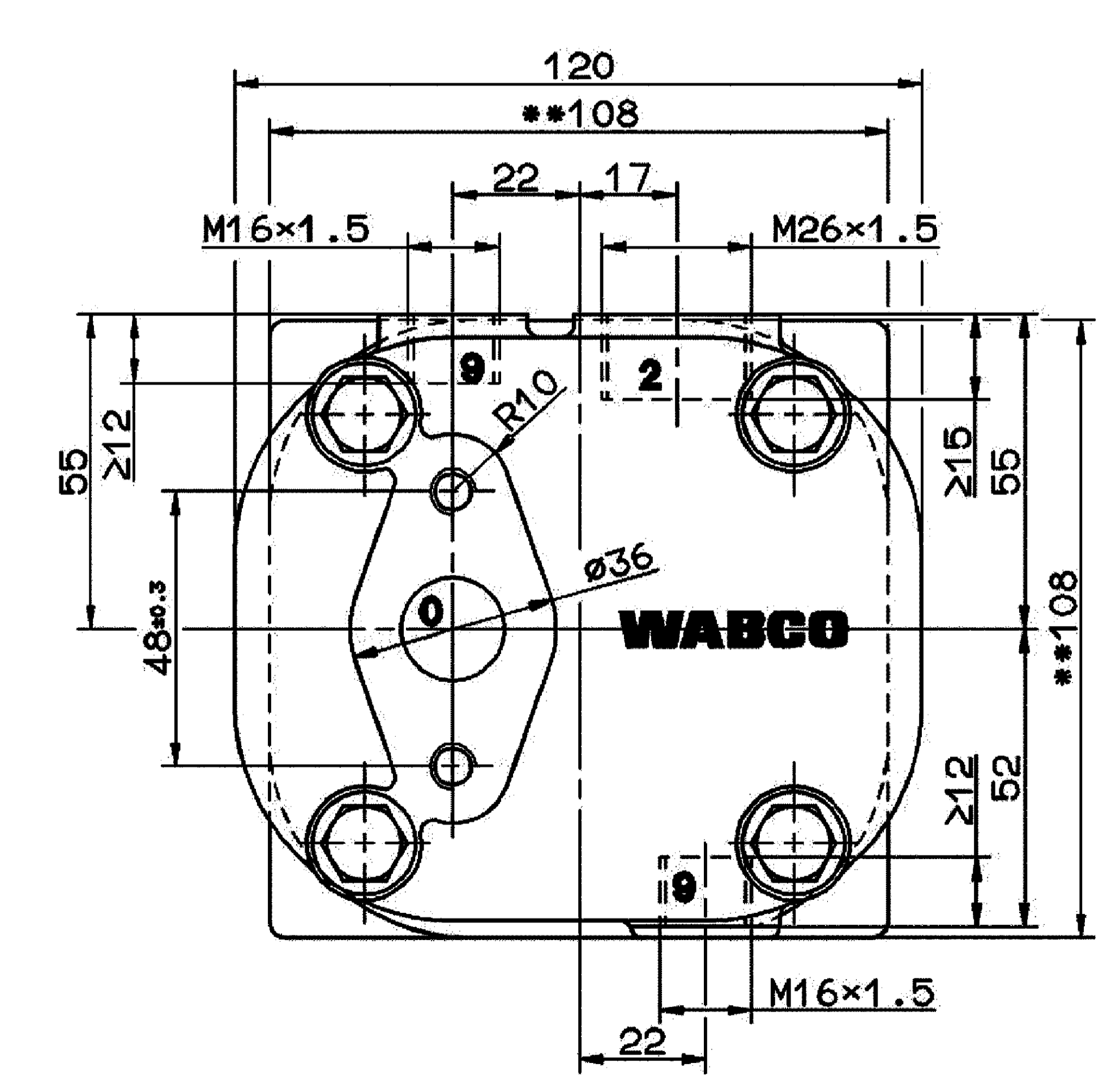
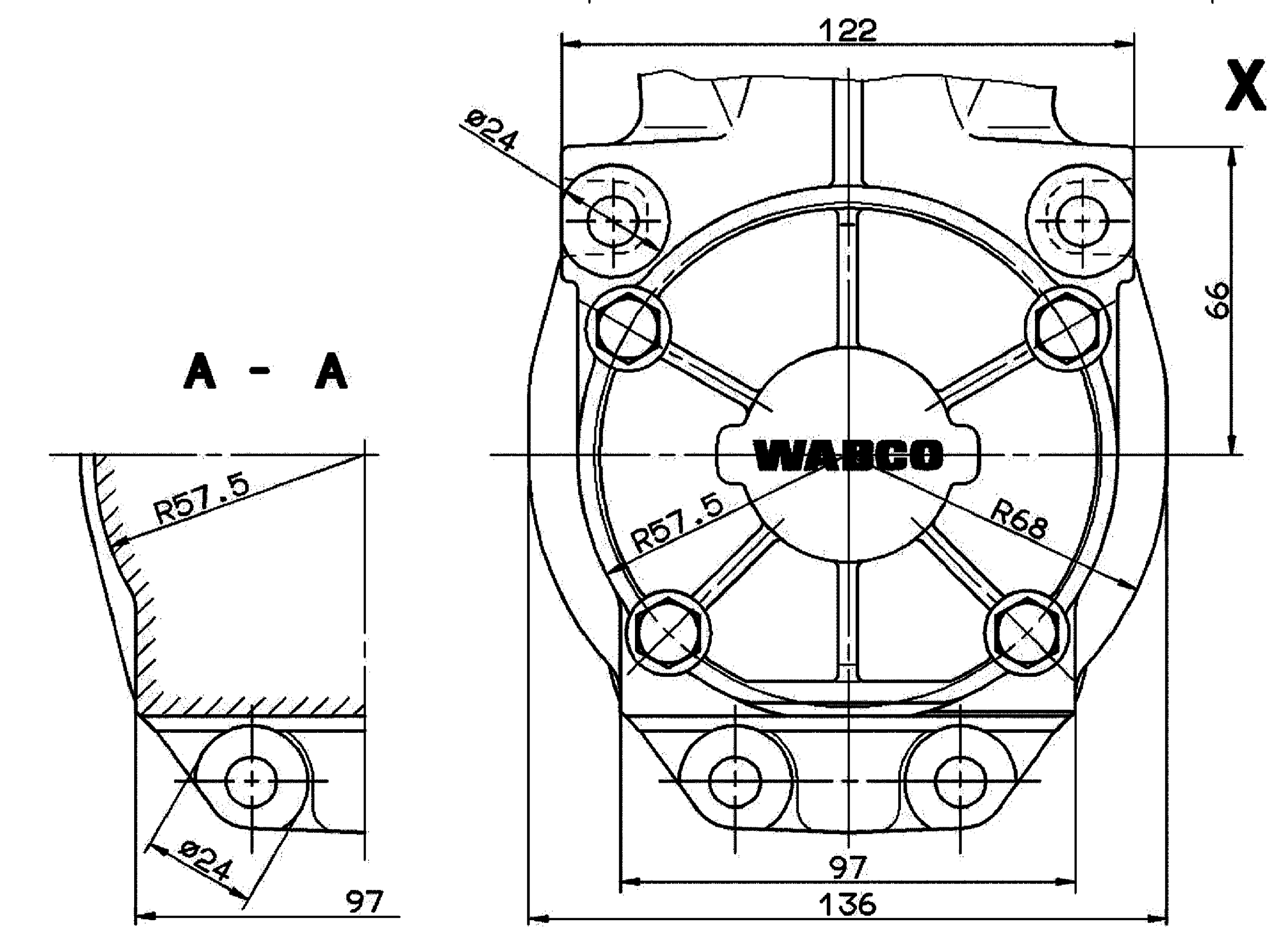
WORKING MEDIUM	AIR
COOLANT	WATER WITH ANTIFREEZE
BORE	∅ 75 mm
STROKE	50 mm
SWEPT VOLUME	221 cm ³
MAX. WORKING SPEED	n _{max} = 3000 min ⁻¹
OVERSPEED (TEMPORARY MAX. 4 SEC.)	n _{ue} = 1.3 x n _{max}
MAX. WORKING PRESSURE	p _e = 12.5 bar
MAX. WORKING PRESSURE (TEMPORARILY)	p _e = 14 bar
WITH WATER - COOLING REQUIRED	6 l/min ②
QUANTITY COOLING WATER	
END PLAY OF CRANKSHAFT	0.08 ... 0.38 mm
LUBRICATION SUPPLIED FROM ENGINE	

② MAX. PERMISSIBLE TEMPERATURE IN SERVICE: 220 °C

0	INLET PORT	
2	DISCHARGE PORT	M _{max} = 100 Nm
8.1	OIL SUPPLY	
8.2	OIL DRAIN	
9	COOLING CONNECTION	M _{max} = 70 Nm



PERFORMANCE DIAGRAM: 911 145 560 0 (997)



** ALSO VALID FOR PRI: 037, 003

LABELING INFORMATION TABLE (SEE ALSO DOC.922)			
PRODUCTION SITE	LABEL	LABEL ID NUMBER	LABEL LAYOUT
PRI 048 **	①	899 050 145 4	PRODUCTION DATE WABCO ID NUMBER

General Specifications: 4E-234-1, Size 150 14405 LP		Copyright WABCO		WABCO	
Further Technical Data: 911 145 560 R		Doc. Code: 999		SINGLE CYLINDER COMPRESSOR	
Date: 2018-07-03		Drawn: Zygodz		Sheet: 005 EN 1/1	
Doc. Code: 999		Checked: Zygodz		Revision: A	
Date: 2018-07-17		Approved: Zygodz		Year: 2009	
Date: 2018-07-17		Approved: Zygodz		Year: 2009	
Date: 2018-07-17		Approved: Zygodz		Year: 2009	
Date: 2018-07-17		Approved: Zygodz		Year: 2009	