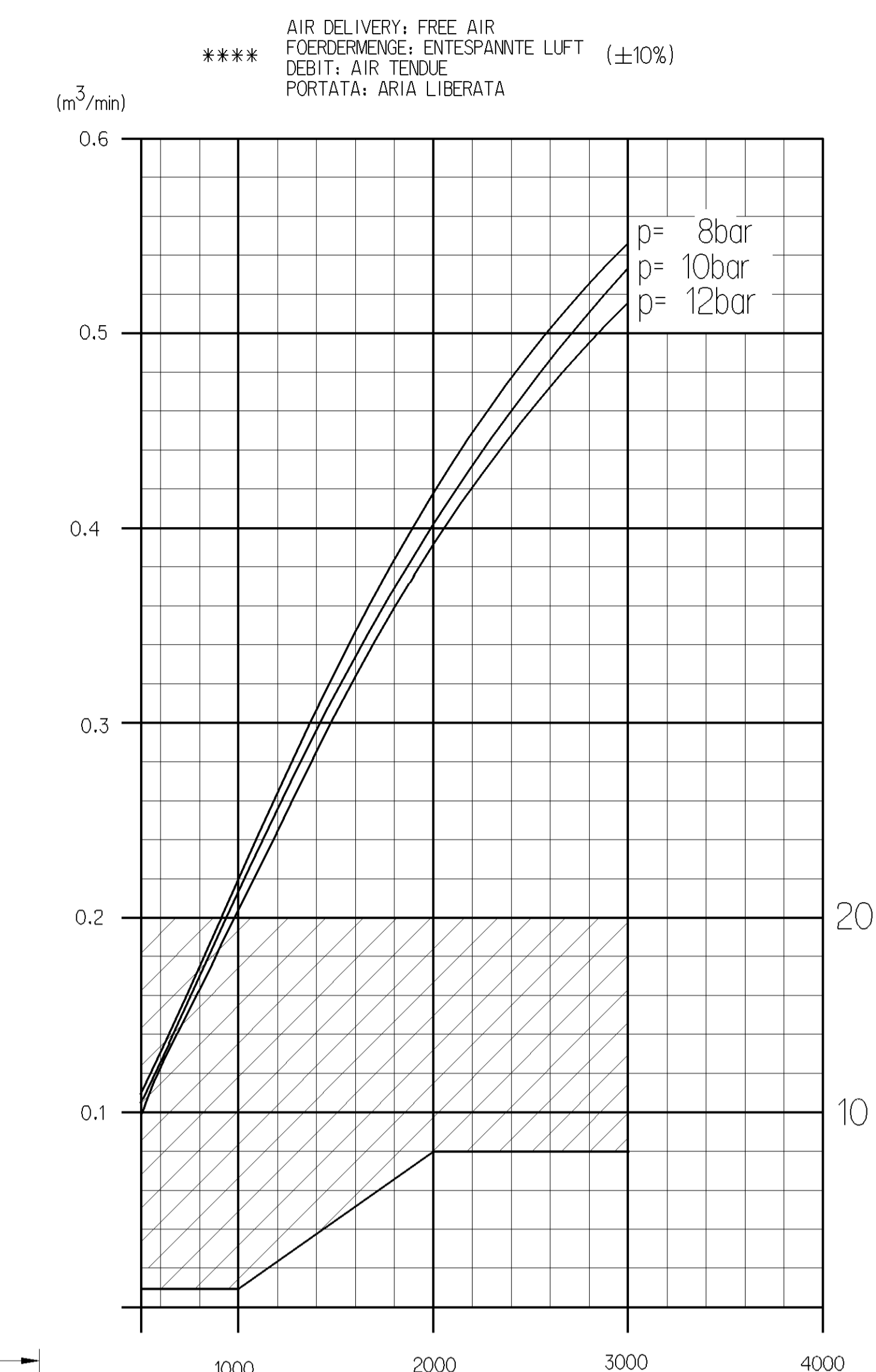
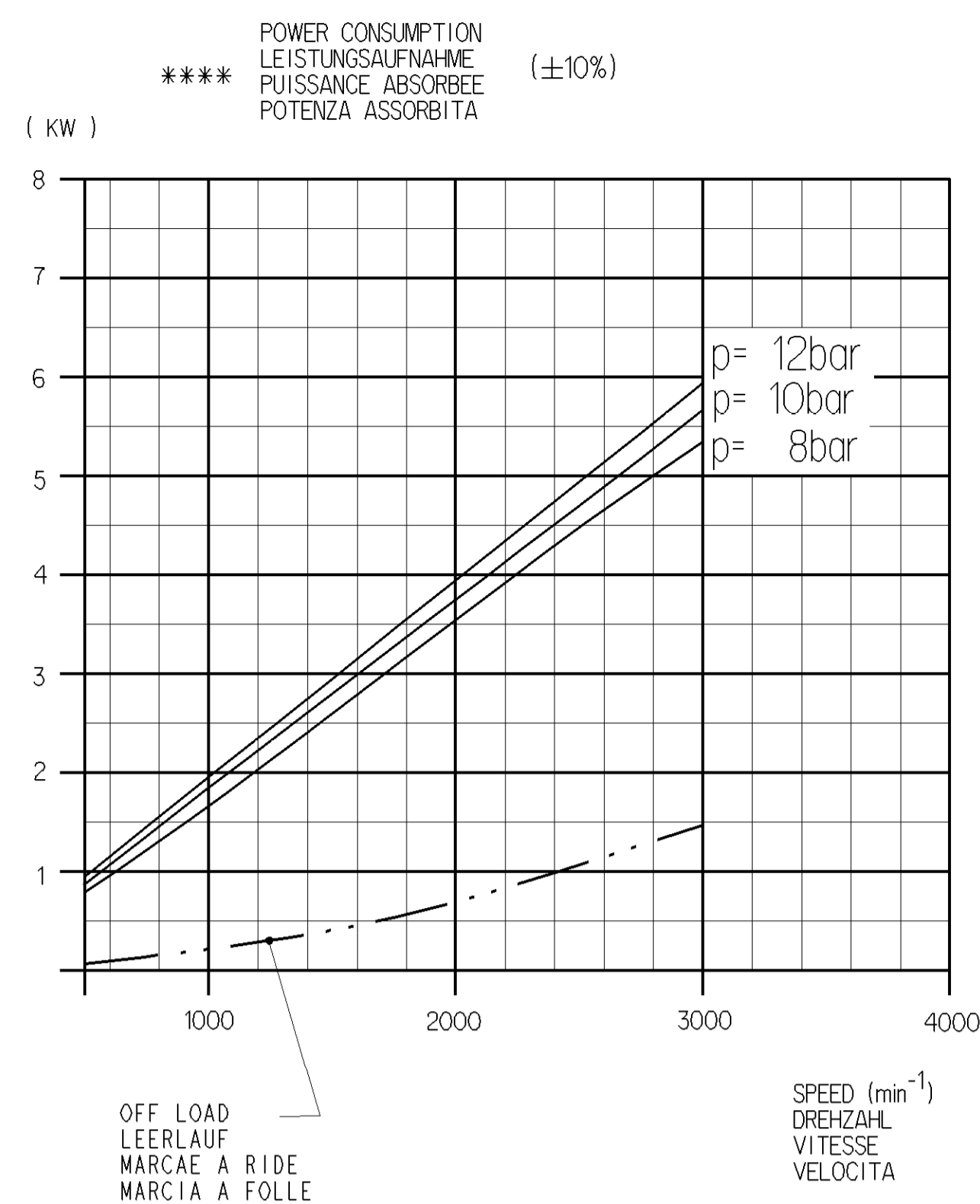
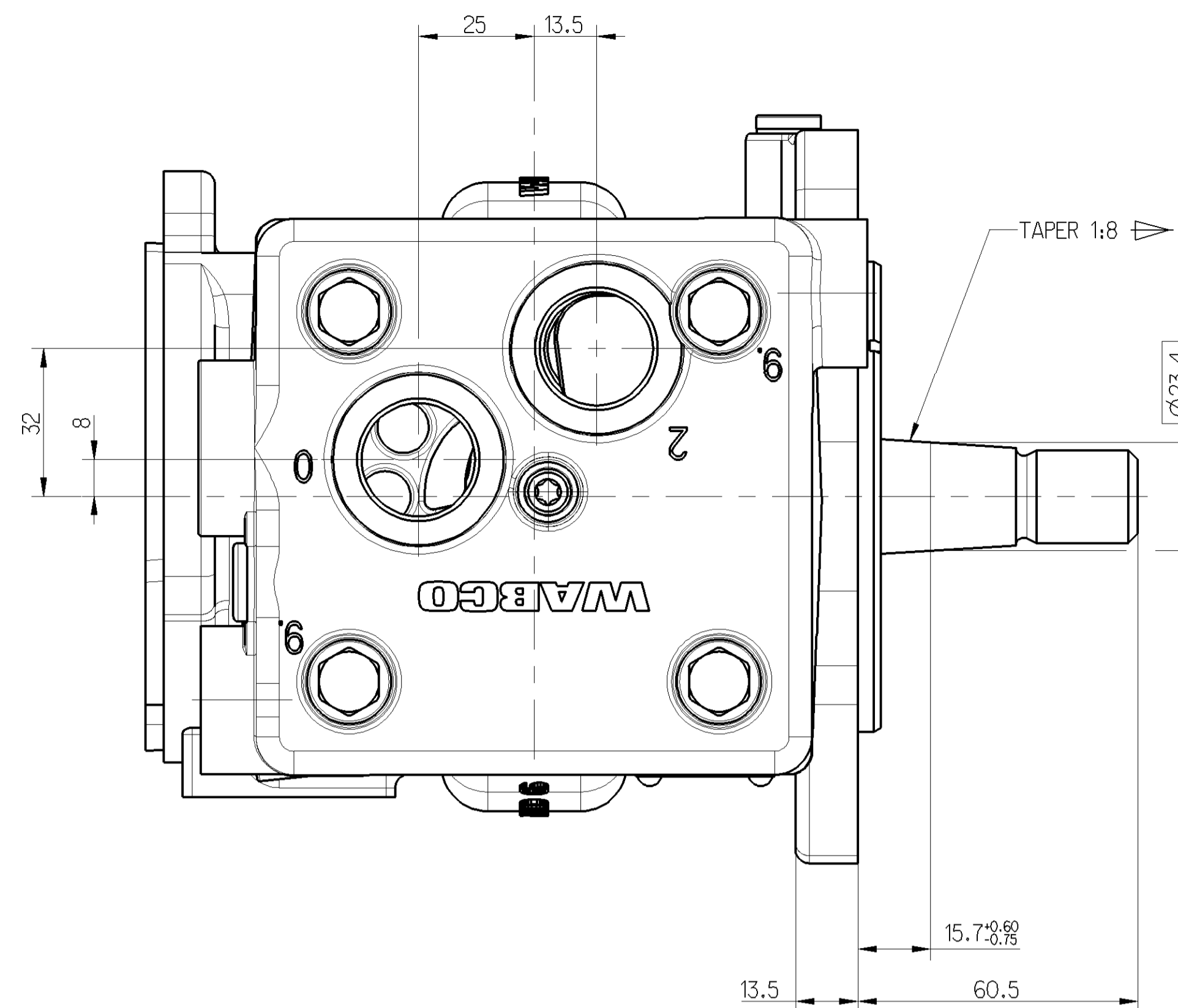
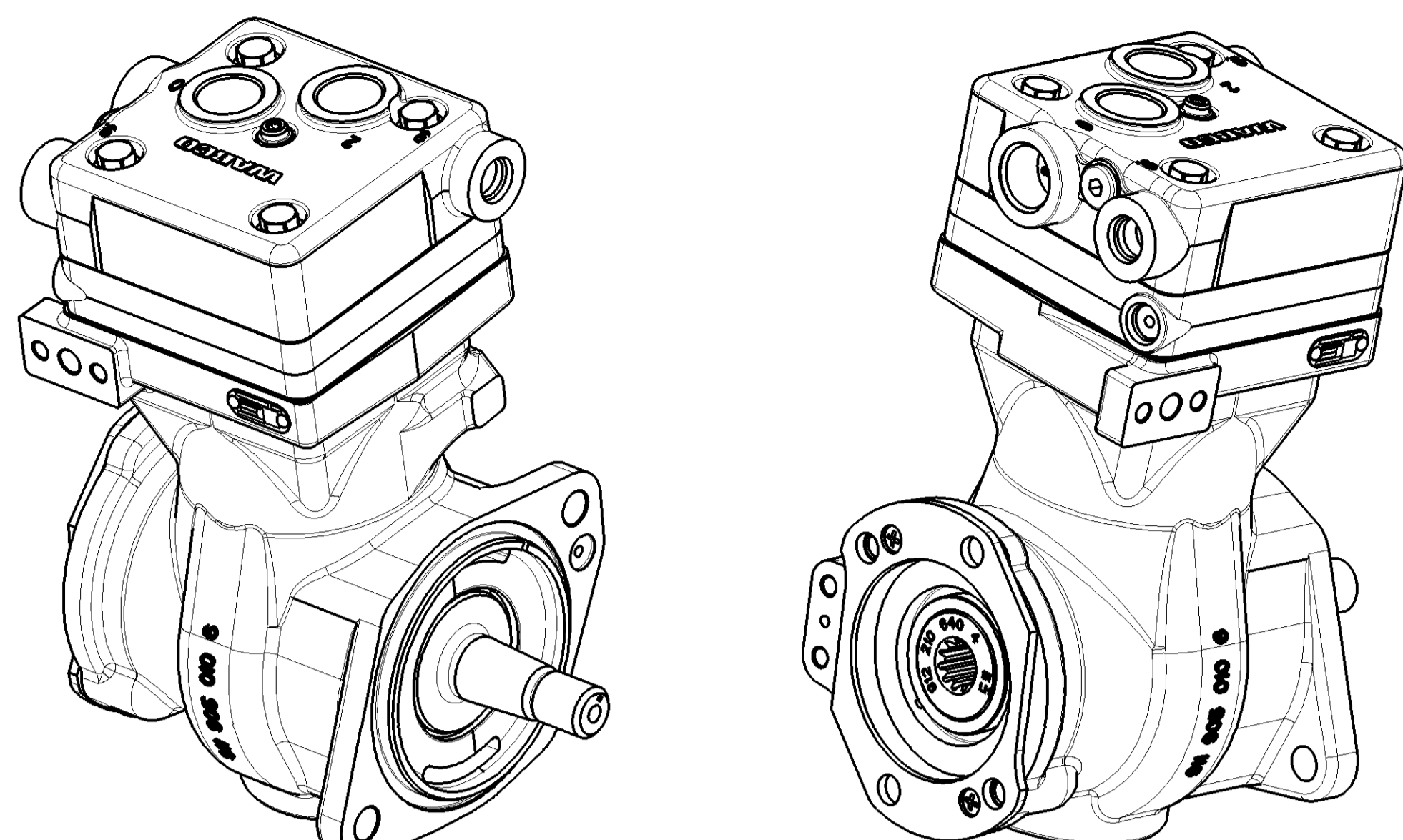


TECHNICAL DATA
TECHNISCHE DATEN
CARACTÉRISTIQUES TECHNIQUES
CARATTERISTICHE TECNICHE

**** DIAGRAM FOR NATURALLY ASPIRATED COMPRESSOR ONLY
**** DIAGRAMM NUR FUER NICHTAUFGELEADENEN KOMPRESSOR

A BORE
BOHRUNG : \varnothing 85 mm
ALESAGIO
B STROKE
HUB
COURSE : 56 mm
CORSA
C SWEEP VOLUME
HUBRAUM
CYLINDRE*
CYLINDRATA 318 cm³
D MAX. WORKING SPEED
MAX. BETRIEBSDREHZAH
VITESSE D'UTILISATION MAX.
VELOCITÀ DI ESERCIZIO MAX. n_{max} = 3000 min⁻¹
E OVERSPEED (TEMPORARY MAX. 4 SEC.)
UEBERDREHZAH (KURZZEITIG MAX. 4 SEC.)
SURVITESSE (DE COURTE DUREE MAXI. 4 SEC.)
SOVRAVELOCITÀ (BREVE TEMPO SOLO MAX. 4 SEC.) n_{ue} = 1.3 n_{max}
F MAX. WORKING PRESSURE
MAX. BETRIEBSDRUCK
PRESSION D'UTILISATION MAX.
PRESSIONE DI ESERCIZIO MAX. p = 12 bar *
G MAX. PRESSURE (TEMPORARILY *4 SEC.)
HOCHSTDRUCK (KURZZEITIG MAX. 4 SEC.)
PRESSION MAXI. (DE COURTE DUREE *4 SEC.)
PRESSIONE MASSIMA (BREVE TEMPO SOLO *4 SEC.) p = 14 bar *



QUANTITY OF COOLING WATER REQUIRED
ERGEBNIS DER WASSERANFORDERUNG
QUANTITE D'EAU DE REFROIDISSEMENT NECESSAIRE
QUANTITÀ D'ACQUA DI RAFFREDDAMENTO NECESSARIA (l/min)

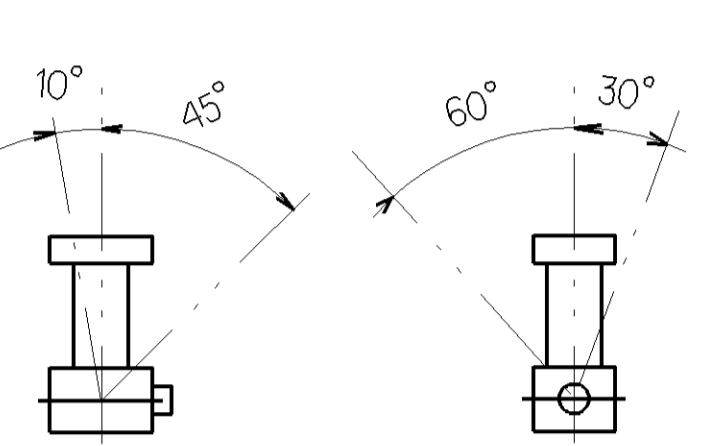
D MAX. PRESSURE (TEMPORARILY *4 SEC.)
HOCHSTDRUCK (KURZZEITIG MAX. 4 SEC.)
PRESSION MAXI. (DE COURTE DUREE *4 SEC.)
PRESSIONE MASSIMA (BREVE TEMPO SOLO *4 SEC.) p = 14 bar *

E LUBRICATION : LUBRICATION SUPPLIED FROM ENGINE
SCHMIERART : UNLAUFSCHMIERUNG MIT DRUCKOELANSCHLUSS
GRAISSAGE : GRAISSAGE PAR CIRCULATION ALIMENTATION PAR LE MOTEUR
LUBRIFICAZIONE : LUBRIFICAZIONE A CIRCOLAZIONE ALIMENTAZIONE DAL MOTORE

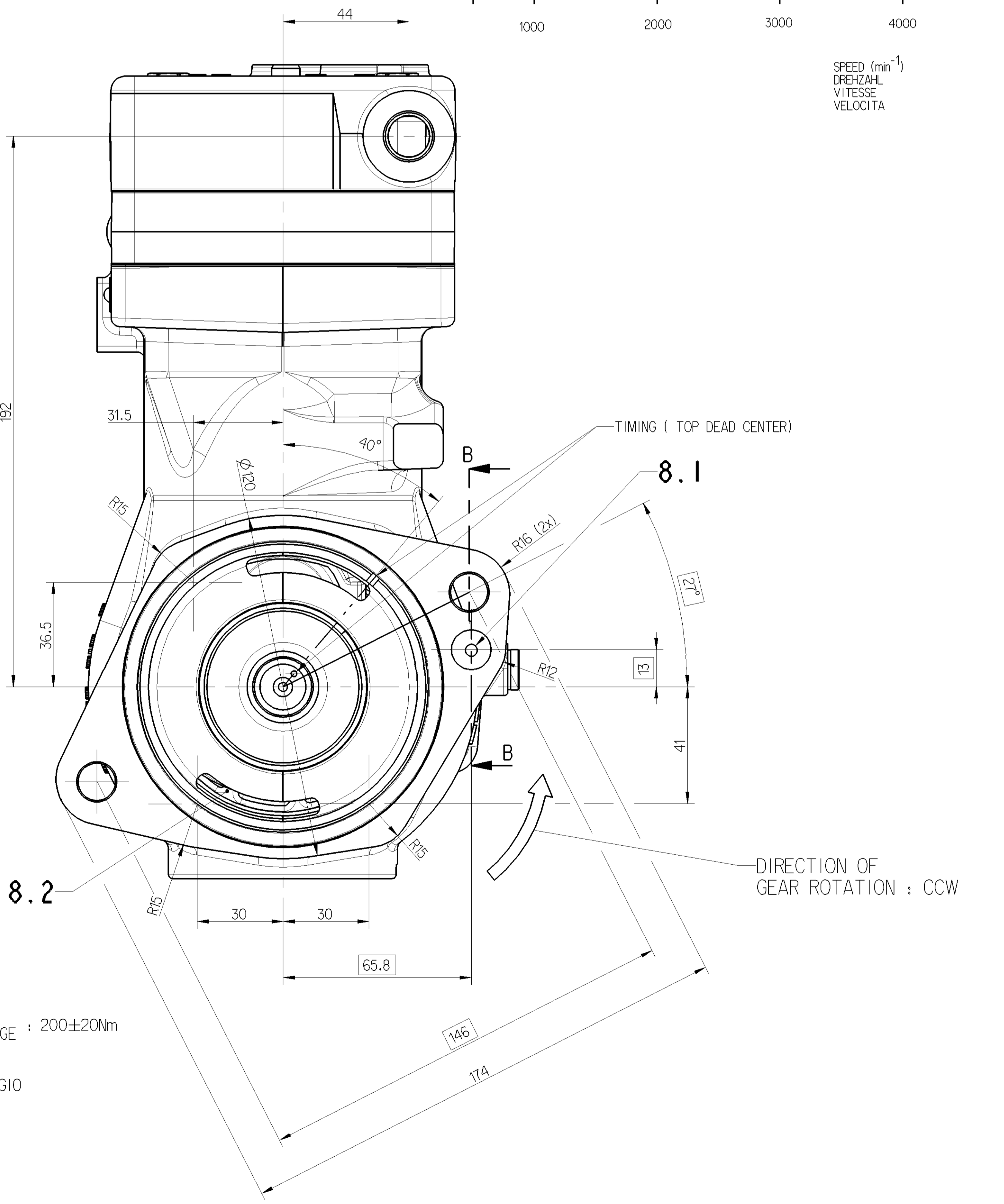
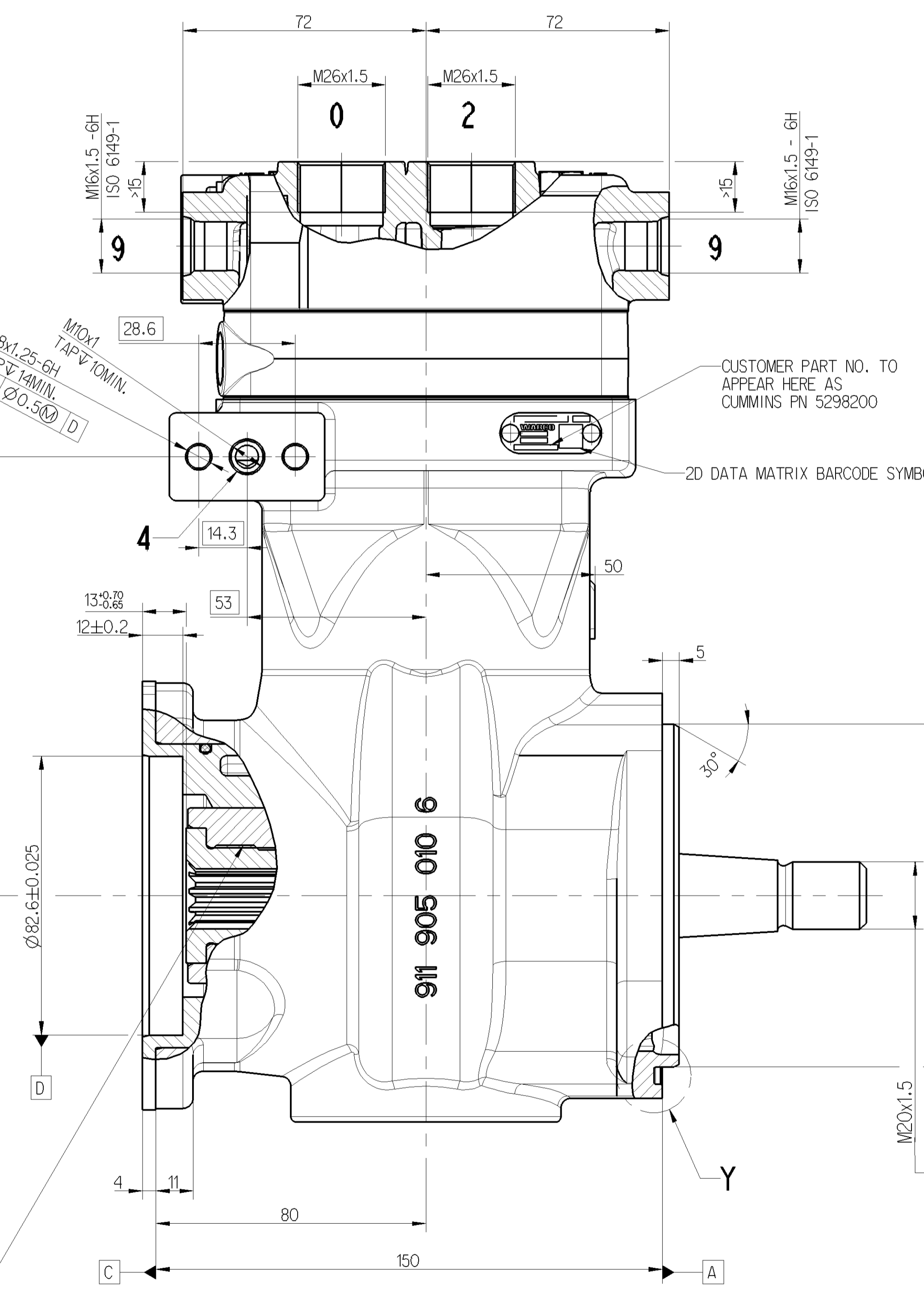
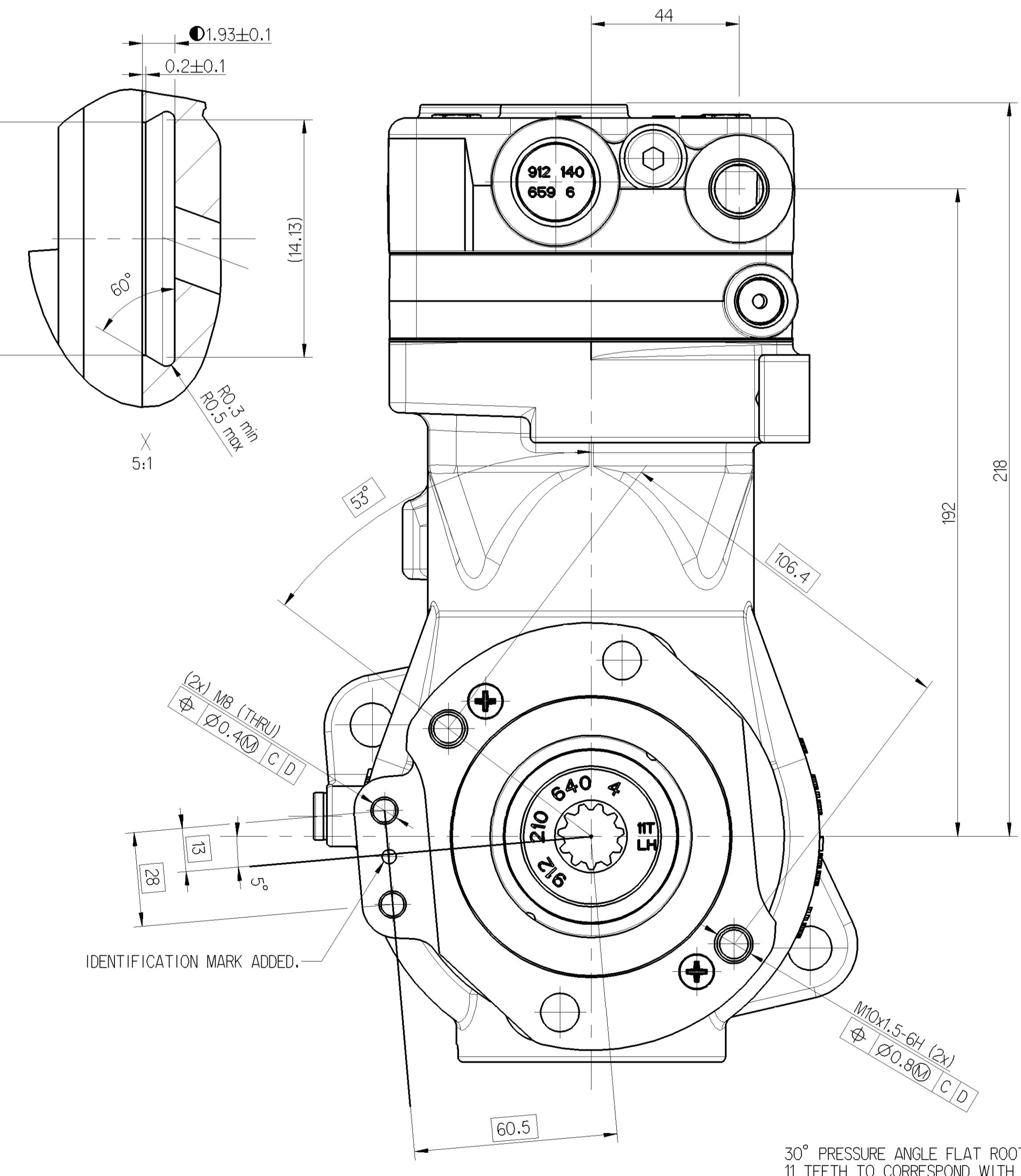
F MAX. PERMISSIBLE TILT DURING CONTINUOUS WORKING
MAX. ZULÄSSIGE NEIGUNG IM DAUERBETRIEB
INCLINAISON MAX. ADMISSE EN SERVICE CONTINUJ
MASSIMA INCLINAZIONE AMMESSA IN CASO DI SERVIZIO CONTINUO

G END PLAY OF CRANKSHAFT
AXIALSPIEL DER KURBELWELLE
JEU AXIAL DU VIREBROQUIN
GIOCO ASSIALE DELL'ALBERO A GOMITO 0.08...0.38 mm

H MEASURING POINT : DISCHARGE PORT
MESSPUNKT : DRUCKANSCHLUSS
POINT DE MESURE : REFOULEMENT
PUNTO DI MISURA : COMPRESIONE



F MEASURING POINT : DISCHARGE PORT
MESSPUNKT : DRUCKANSCHLUSS
POINT DE MESURE : REFOULEMENT
PUNTO DI MISURA : COMPRESIONE



CUSTOMER PART NO. TO APPEAR HERE AS OUMMINS FN 5298200

2D DATA MATRIX BARCODE SYMBOL

TORQUE LEFT HAND
ANZUGMOMENT LINKE HAND
COUPLE DE SERRAGE : 200±20Nm
MAIN GAUCHE
COOPIA DI SERRAGIO
MANO SINISTRA

(∇ 1:8 +AT7 DIN 7178)

FREE FROM ASBESTOS
ASBESTREI
EXEMPT D'AMIANTE
ESENETE D'AMIANTO

30° PRESSURE ANGLE FLAT ROOT SIDE FIT SPLINE 16/32
11 TEETH TO CORRESPOND WITH ANSI B92.1-1970, CLASS 6
FLANKENGEFUEHRTES ZAHNPROFIL MIT 30° EINGRIFFSWINKEL
UND FLÄCHEM GRUND 16/32
11 ZÄHNE NACH ANSI B92.1-1970, KLASSE 6

9 = COOLING CONNECTION
KUEHLWASSERANSCHLUSS
CONNEXION DE LIQUIDE DE REFRIGERISSEMENT
COLLEGAMENTO LIQUIDO REFRIGERANTE M_c = 35 Nm

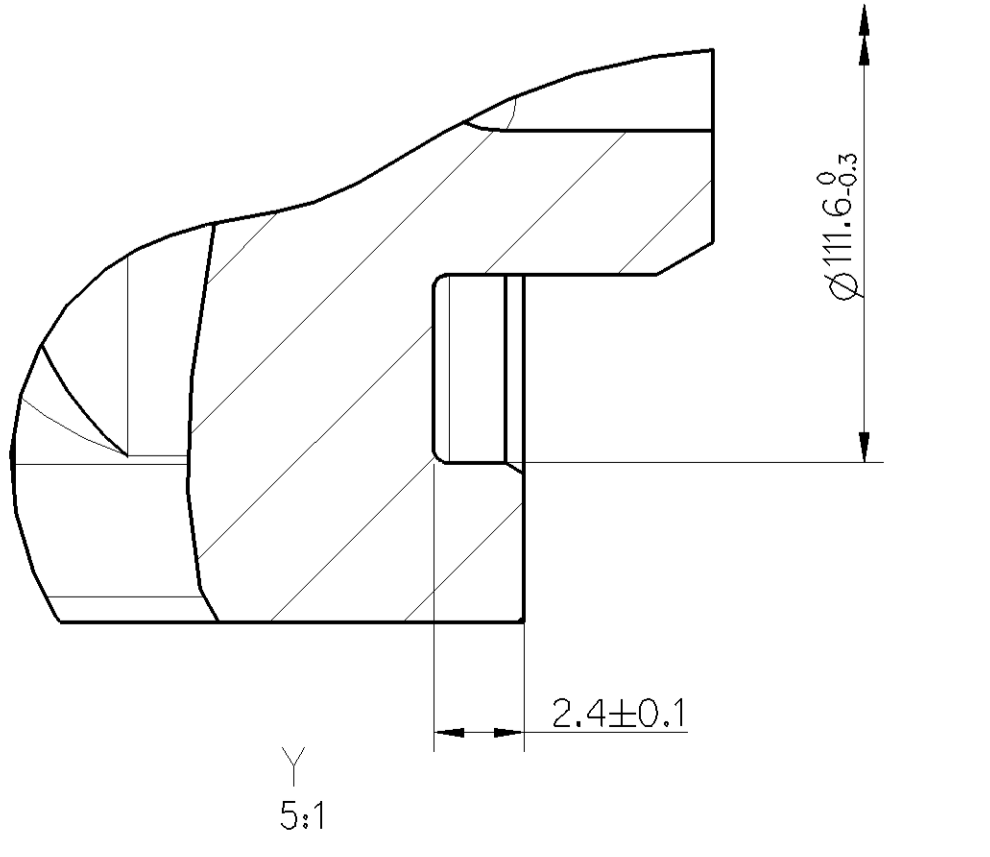
81 = OIL SUPPLY
DRUCKOELANSCHLUSS
ORIFICE D'ARRIVEE D'HUILE
ORIFICIO D ARRIVO OLIO M_c = 100 Nm

82 = OIL DRAIN
OELRUECKLAUF
RETOUR D'HUILE
RITORNO OLIO M_c = 100 Nm

0 = INLET PORT
SAUGANSCHLUSS
ASPIRATIONE M_c = 100 Nm

2 = DISCHARGE PORT
DRUCKANSCHLUSS
REFOULEMENT
COMPRESIONE M_c = 100 Nm

4 = GOVERNOR PORT
STELERANSCHLUSS
RIFICE DE COMMANDE
ORIFICIO DI COMANDO M_c = 25 Nm



1x SIGNIFICANT CHARACTERISTICS
(EQUIVALENT TO WABCO SYMBOL ∇)

THIRD ANGLE PROJECTION

General Specifications: JED-354-0			Copyright WABCO®			Date			Sheet		
Further Technical Data: 911 153 553 0...035			Date			SAHAYA			2019-04-22 To 6		
Doc. Code: 035			General Tolerances: ISO 281			Cesnak			2019-04-23 1 1x213x149x		
Range of Nominal Dimensions (± mm)			Scale			1:1			Metric No.		
Fine: 0.5 1.0 1.5 2.0			1:1			006 ML 1/1			Date of 1st issue: 2006-08-28		
Medium: 1.0 2.0 3.0 4.0 6.5			1:1			911 153 553 0			Doc. Code: Language		
Coarse: 2.0 3.5 5.0 6.5			±3°			1 40 (Ø1.05,11)			Revision		
Tapped Holes acc. JED-152			Material			Steel			Techn. Rep.		
Tolerance Class Applied Crossmarked			181456			1 J			5000		