

TECHNICAL DATA  
TECHNISCHE DATEN  
CARACTERISTIQUES TECHNIQUES  
CARATTERISTICHE TECNICHE

BORE:  $\varnothing 85$  mm  
BOHRUNG:  $\varnothing 85$  mm  
ALESAGE:  $\varnothing 85$  mm  
ALESAGGIO:  $\varnothing 85$  mm

STROKE: 56 mm  
HUB: 56 mm  
COURSE: 56 mm  
CORSA: 56 mm

SWEPT VOLUME: 318 cc  
HUBRAUM: 318 cc  
CYLINDREE: 318 cc  
CYLINDRATA: 318 cc

MAX. WORKING SPEED:  $n_{max} = 3000 \text{ min}^{-1}$   
LEBERDREHZAH: (KURZZEITIG MAX. 4 SEC.):  $n_{max} = 3000 \text{ min}^{-1}$   
VITESSE D'UTILISATION MAXI.: (BREVE TEMPO SOLO MAX. 4 SEC.):  $n_{max} = 3000 \text{ min}^{-1}$   
VELOCITÀ DI ESERCIZIO MAX.: (BREVE TEMPO SOLO MAX. 4 SEC.):  $n_{max} = 3000 \text{ min}^{-1}$

OVERSPEED (TEMPORARY MAX. 4 SEC.):  
LEBERDREHZAH (KURZZEITIG MAX. 4 SEC.):  $n_{ue} = 1.3 \times n_{max}$   
VITESSE (DE COURTE DUREE MAXI. 4 SEC.):  
SOVRAVELOCITÀ (BREVE TEMPO SOLO MAX. 4 SEC.):  $n_{ue} = 1.3 \times n_{max}$

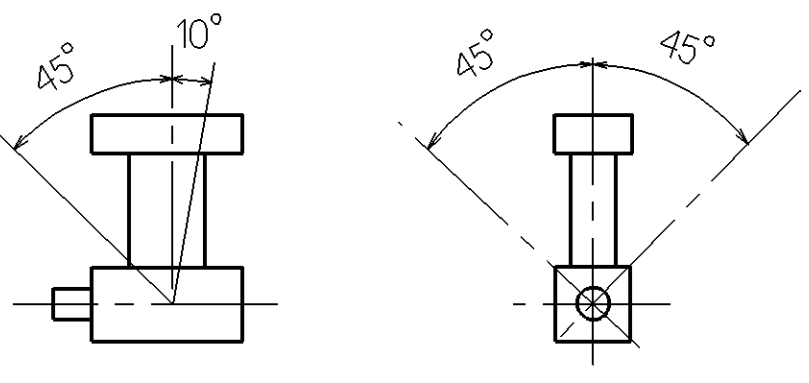
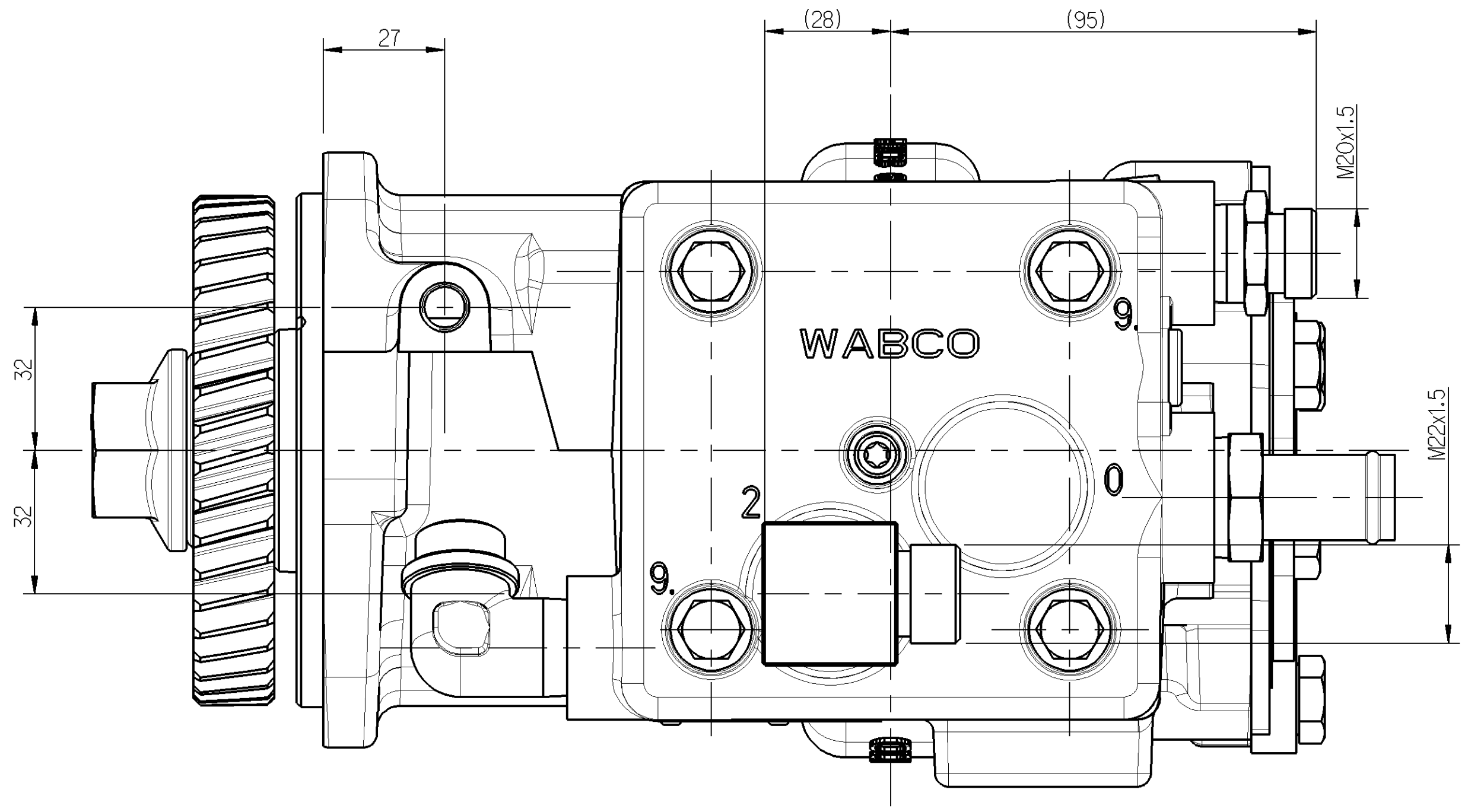
MAX. WORKING PRESSURE:  $p = 10 \text{ bar}$  \*\*  
MAX. BETRIEBSDRUCK: (KURZZEITIG  $\leq 4$  SEC.):  $p = 10 \text{ bar}$  \*\*  
PRESSION D'UTILISATION MAXI.: (BREVE TEMPO SOLO  $\leq 4$  SEC.):  $p = 10 \text{ bar}$  \*\*  
PRESSIONE DI ESERCIZIO MAXI.: (BREVE TEMPO SOLO  $\leq 4$  SEC.):  $p = 10 \text{ bar}$  \*\*

MAX. PRESSURE (TEMPORARILY  $\leq 4$  SEC.):  $p = 14 \text{ bar}$  \*\*  
HOCHDRUCK (KURZZEITIG  $\leq 4$  SEC.): (KURZZEITIG  $\leq 4$  SEC.):  $p = 14 \text{ bar}$  \*\*  
PRESSION MAXI. (DE COURTE DUREE  $\leq 4$  SEC.): (BREVE TEMPO SOLO  $\leq 4$  SEC.):  $p = 14 \text{ bar}$  \*\*  
PRESSIONE MASSIMA (BREVE TEMPO SOLO  $\leq 4$  SEC.): (BREVE TEMPO SOLO  $\leq 4$  SEC.):  $p = 14 \text{ bar}$  \*\*

END PLAY OF CRANKSHAFT: 0.08...0.38 mm  
AXIALSPIEL DER KURBELWELLE: 0.08...0.38 mm  
JEU AXIAL DU VILEBREQUIN: 0.08...0.38 mm  
GIOCO ASSIALE DELL'ALBERO A GOMITO: 0.08...0.38 mm

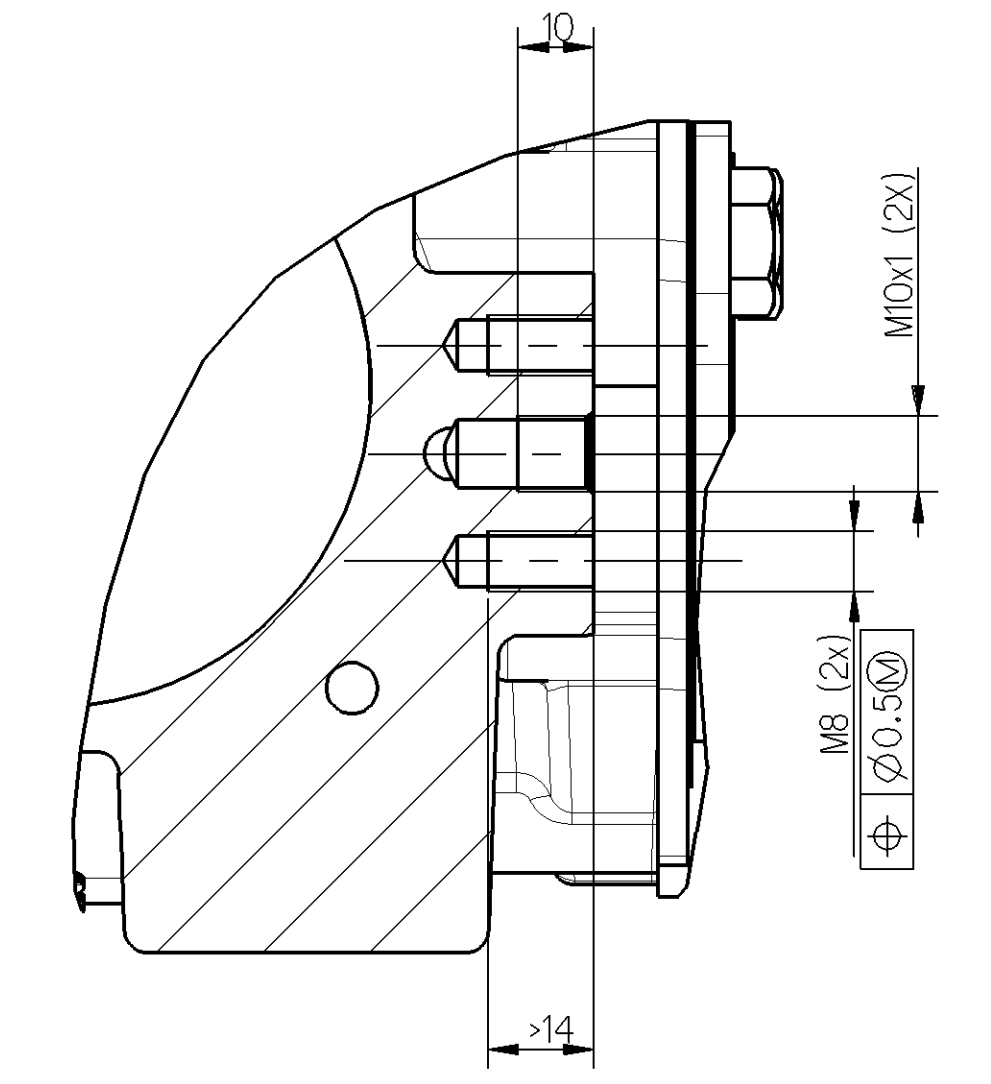
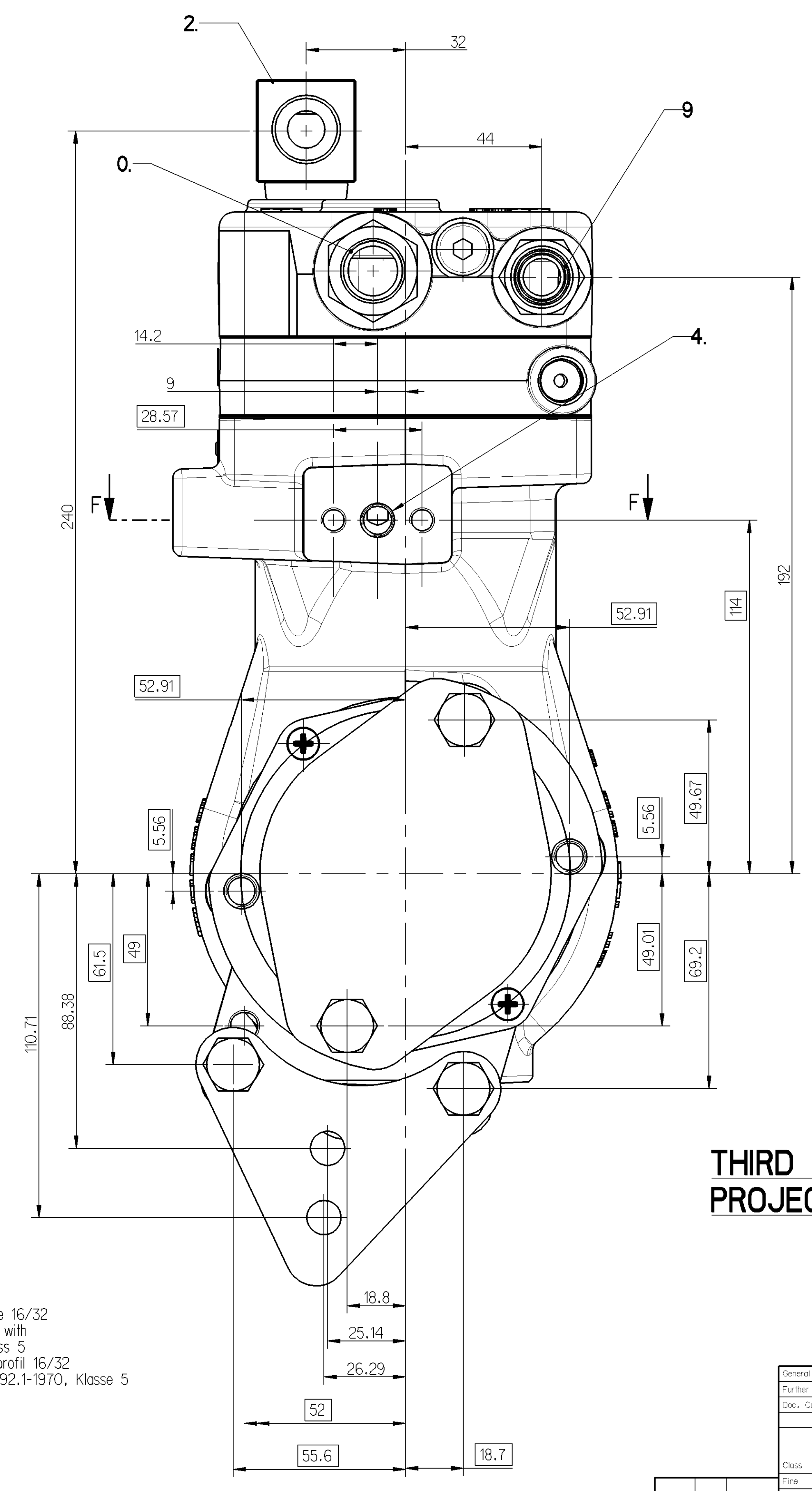
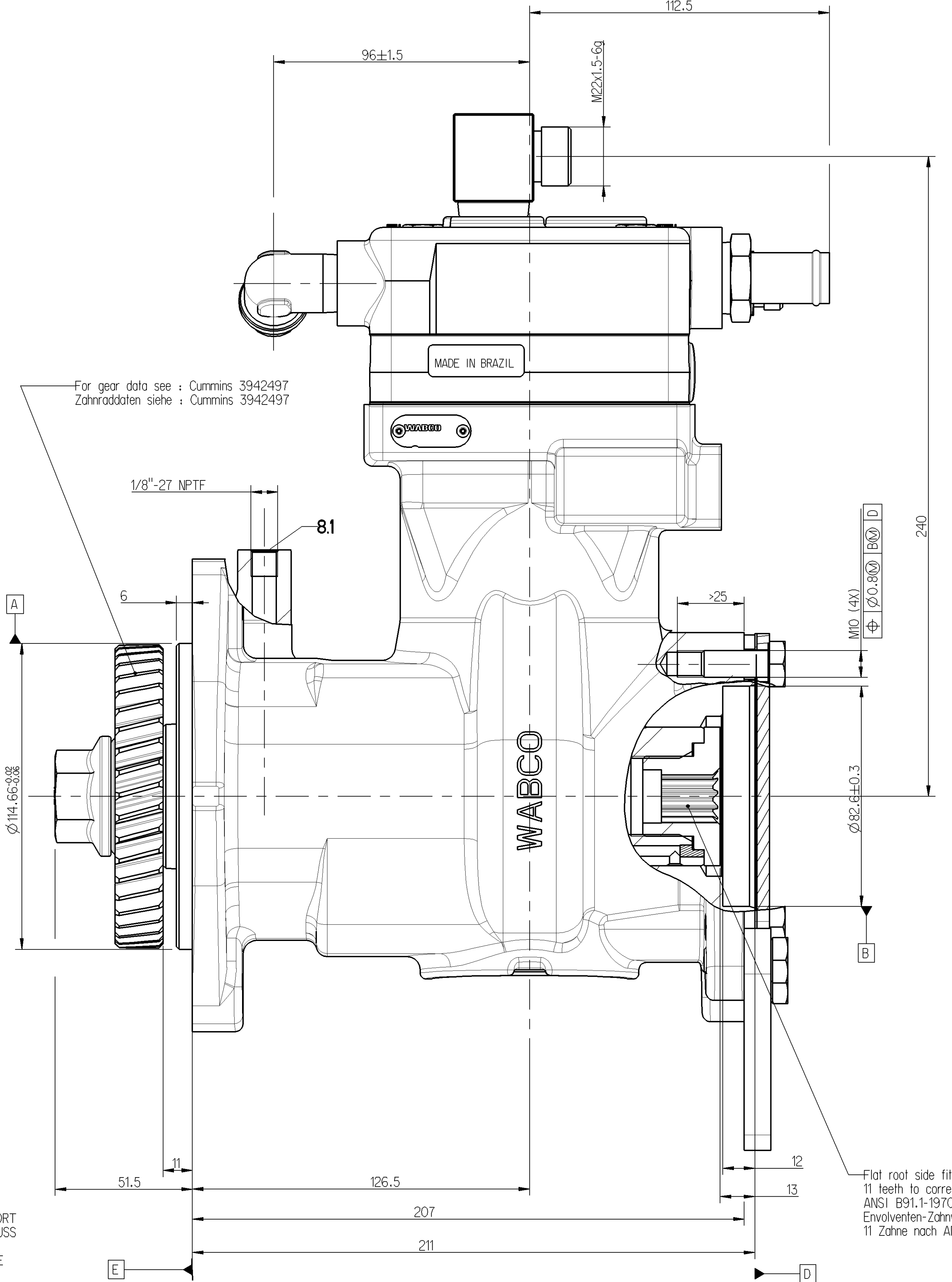
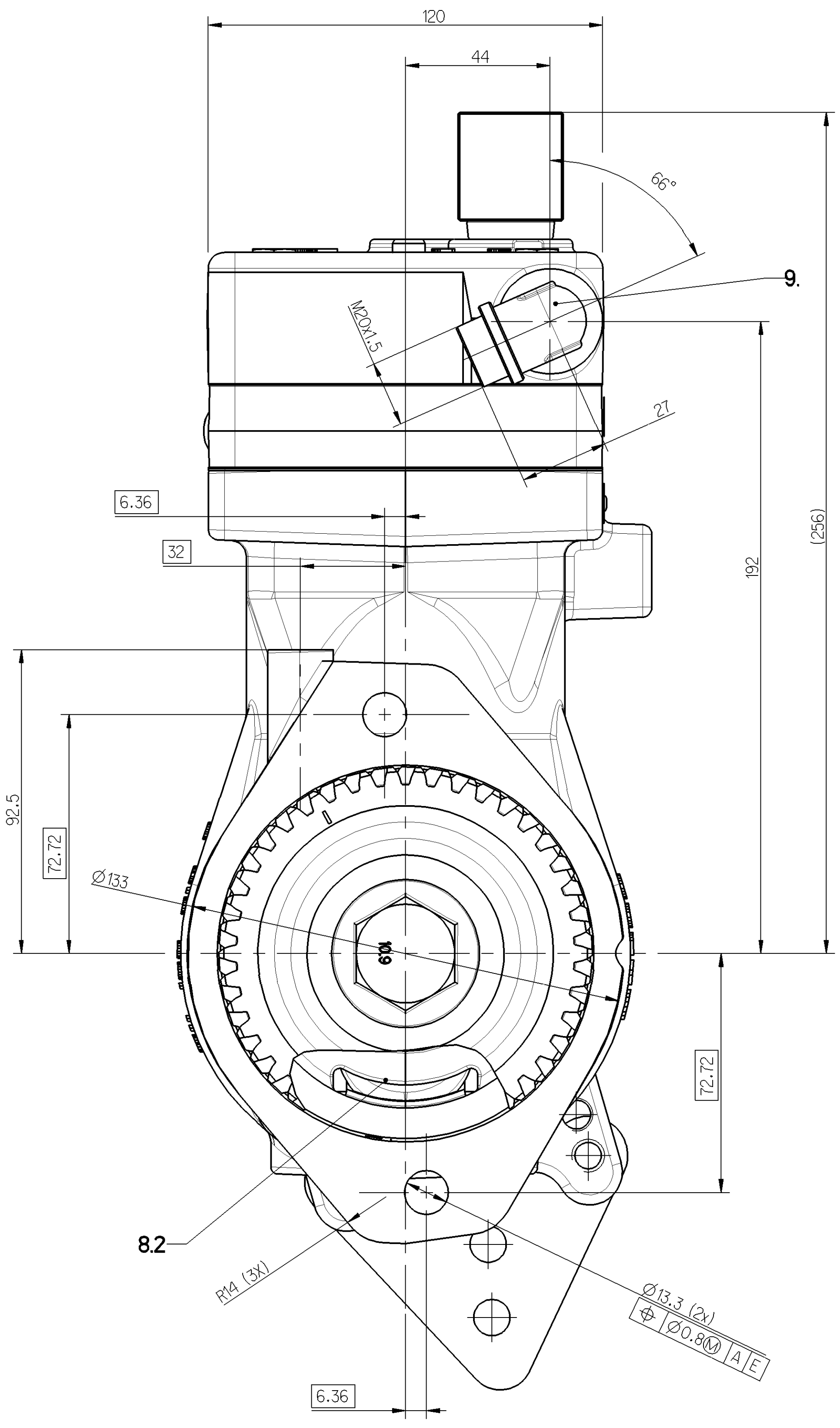
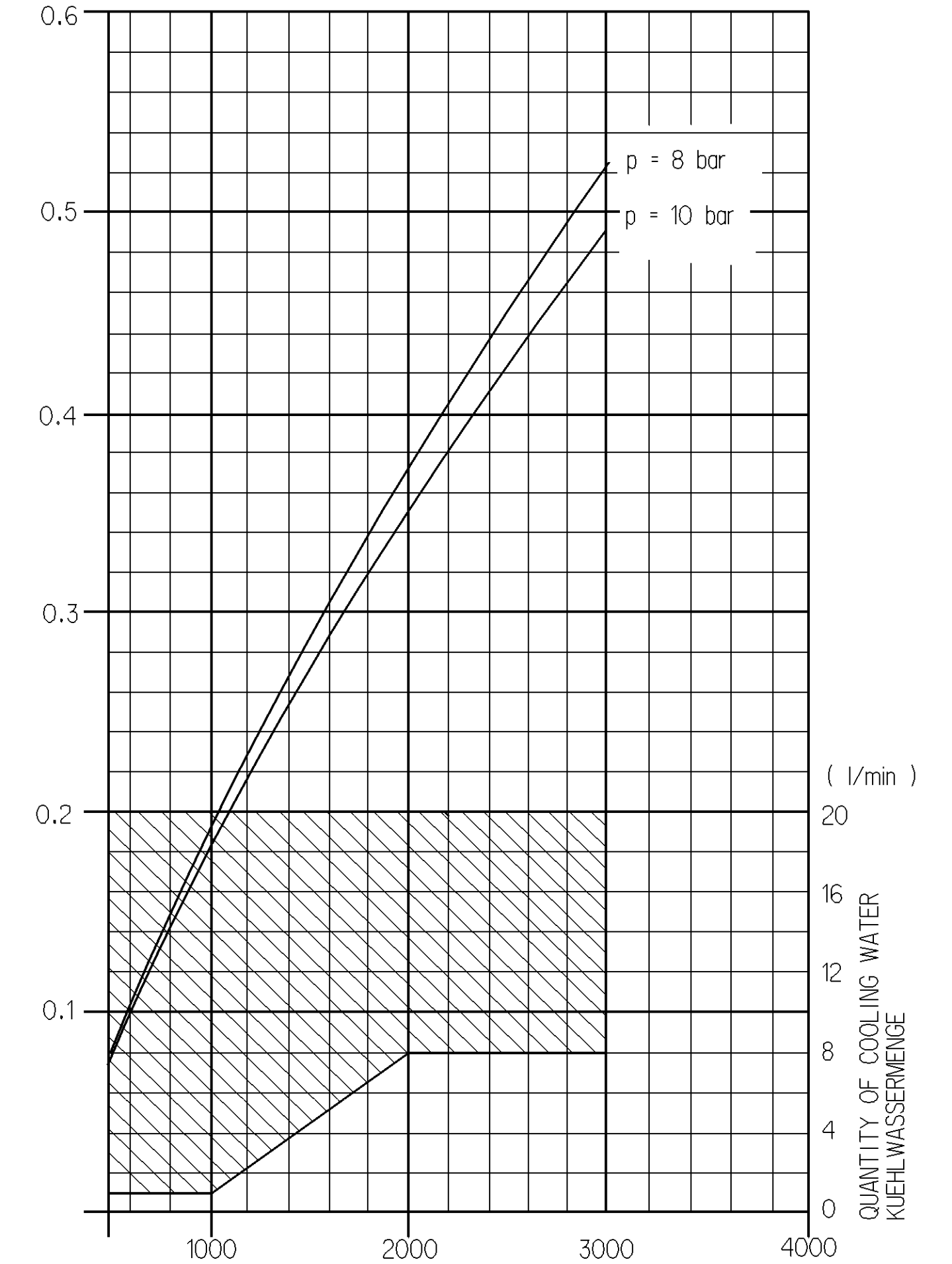
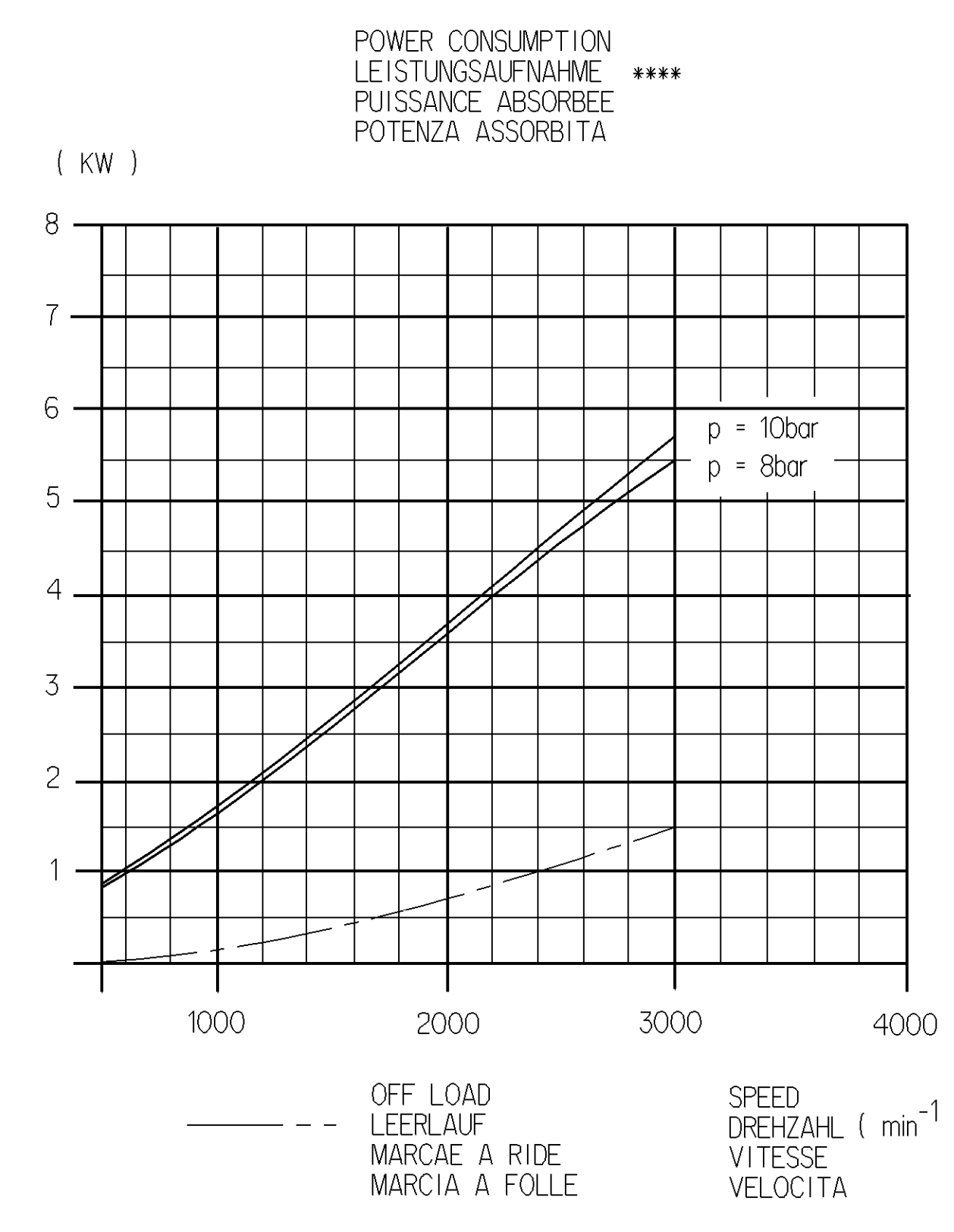
MAX. PERMISSIBLE TILT DURING CONTINUOUS WORKING  
MAX. ZULAESSIGE NEIGUNG IM DAUERBETRIEB  
MAX. ADMISE EN SERVICE CONTINU  
MAXIMA INCLINAZIONE AMMESSA IN CASO DI SERVIZIO CONTINUO

\*\* MEASURING POINT: DISCHARGE PORT  
MESSPUNKT: DRUCKANSCHLUSS  
POINT DE MESURE: REFouLEMENT  
PUNTO DI MISURA: COMPRESIONE



\*\*\*\* DIAGRAM FOR NATURALLY ASPIRATED COMPRESSOR ONLY  
DIAGRAMM NUR FUER NICHTAUFGEADENEN KOMPRESSOR

(m<sup>3</sup> / min) AIR DELIVERY : FREE AIR  
FOERDERMENGE : ENTSPANNTE LUFT  
DEBIT : AIR DE TENDUE  
PORTATA : ARIA LIBERATA



FOR THE APPLICATION OF THIS DEVICE  
PLEASE SEE PRODUCT SPECIFICATION 435/911 153 510 O

THIRD ANGLE  
PROJECTION

- 9 : COOLING CONNECTION  
KUEHLWASSERANSCHLUSS  
CONNEXION DE FLUIDE DE REFRIGERISATION  
COLLEGAMENTO LIQUIDO REFRIGERANTE
- 8.1 : OIL SUPPLY  
DRUCKOELANSCHLUSS  
ORIFICE D'ARRIVEE D'HUILE  
ORIFICIO D'ARRIVO OLIO
- 8.2 : OIL DRAIN  
OELRUECKLAUF  
RETOUR D'HUILE  
RITORNO OLIO
- 2 : DISCHARGE PORT  
DRUCKANSCHLUSS  
REFouLEMENT  
COMPRESIONE
- 0 : INLET PORT  
SAUGANSCHLUSS  
RIFICE DI COMMANDE  
ASPIRATIONE
- 4 : GOVERNOR PORT  
STELERANSCHLUSS  
RIFICE DI COMMANDE  
ORIFICIO DI COMANDO

Flat root side fit spline 16/32  
11 teeth to correspond with  
ANSI B91.1-1970, class 5  
Evolventen-Zahnflankenprofil 16/32  
11 Zahne nach ANSI B92.1-1970, Klasse 5

Doc. Code	Sheet	To	Date	Author	Signature																																												
2005-10-24	1	R.A. Souza	2005-10-24	F. H. Hoelzel																																													
<p>General Specifications: JED-334-0</p> <p>Further Technical Data:</p> <table border="1"> <tr> <th>Class</th> <th>1</th> <th>2</th> <th>3</th> <th>4</th> <th>5</th> <th>6</th> <th>7</th> <th>8</th> <th>9</th> <th>10</th> </tr> <tr> <td>Fineness</td> <td>0.5</td> <td>1.0</td> <td>1.5</td> <td>2.0</td> <td>3.0</td> <td>4.0</td> <td>5.0</td> <td>6.5</td> <td>8.0</td> <td>10.0</td> </tr> <tr> <td>Medium</td> <td>1.0</td> <td>2.0</td> <td>3.0</td> <td>4.0</td> <td>5.0</td> <td>6.5</td> <td>8.0</td> <td>10.0</td> <td>12.5</td> <td>16.0</td> </tr> <tr> <td>Coarse</td> <td>2.0</td> <td>3.5</td> <td>5.0</td> <td>6.5</td> <td>8.0</td> <td>10.0</td> <td>12.5</td> <td>16.0</td> <td>20.0</td> <td>25.0</td> </tr> </table> <p>Tolerance Class: Applied: Compressed</p>						Class	1	2	3	4	5	6	7	8	9	10	Fineness	0.5	1.0	1.5	2.0	3.0	4.0	5.0	6.5	8.0	10.0	Medium	1.0	2.0	3.0	4.0	5.0	6.5	8.0	10.0	12.5	16.0	Coarse	2.0	3.5	5.0	6.5	8.0	10.0	12.5	16.0	20.0	25.0
Class	1	2	3	4	5	6	7	8	9	10																																							
Fineness	0.5	1.0	1.5	2.0	3.0	4.0	5.0	6.5	8.0	10.0																																							
Medium	1.0	2.0	3.0	4.0	5.0	6.5	8.0	10.0	12.5	16.0																																							
Coarse	2.0	3.5	5.0	6.5	8.0	10.0	12.5	16.0	20.0	25.0																																							

**WABCO**

SINGLE CYLINDER COMPRESSOR  
EINZYLINDERKOMPRESSOR  
COMPRESSEUR MONOCYLINDRIQUE  
COMPRESSORE MONOCILINDRICO

Manual No. 91155518  
WABCO 11. Nov. 91155518

Part No. 911 153 518 0  
Drawing No. 605  
Scale 1:1

Function Code: 028  
Unit Code: 02X  
Replacement for: 02X