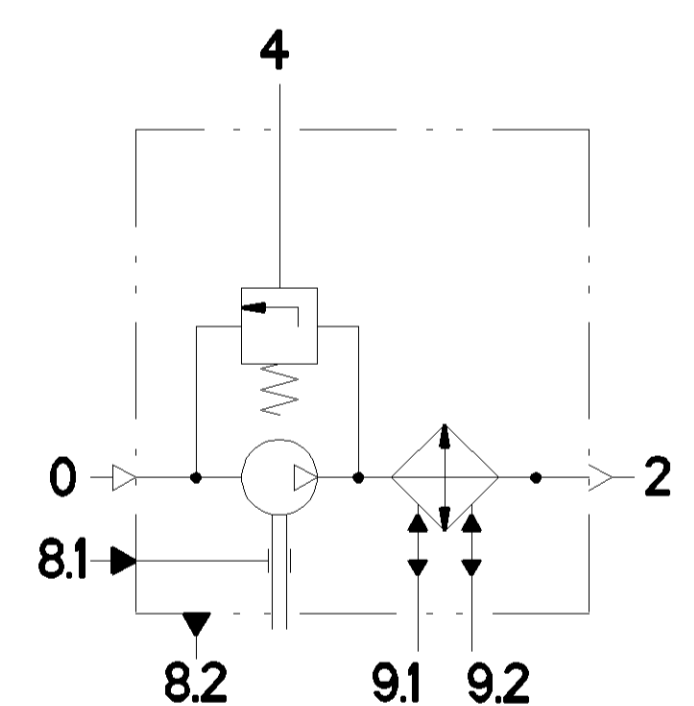


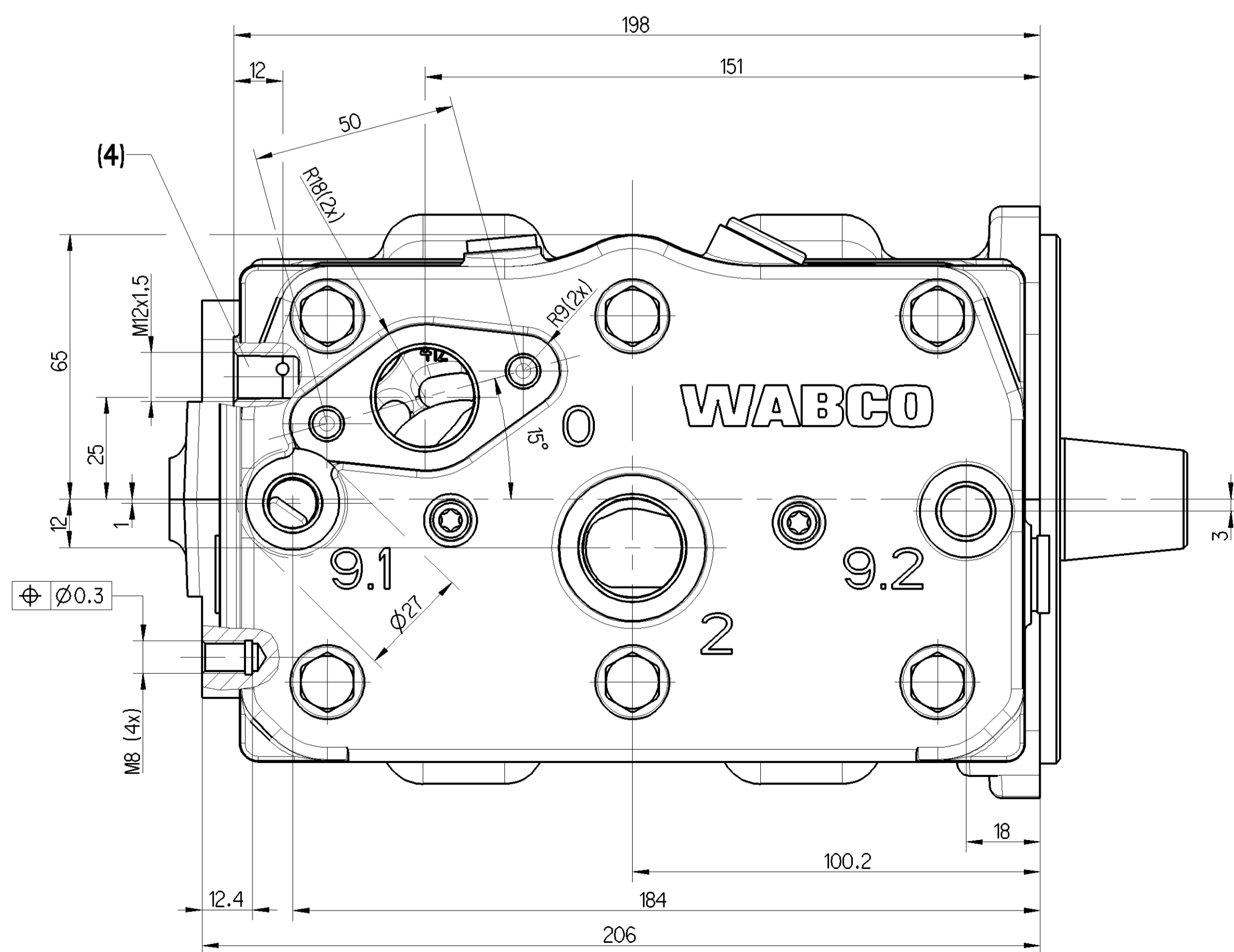
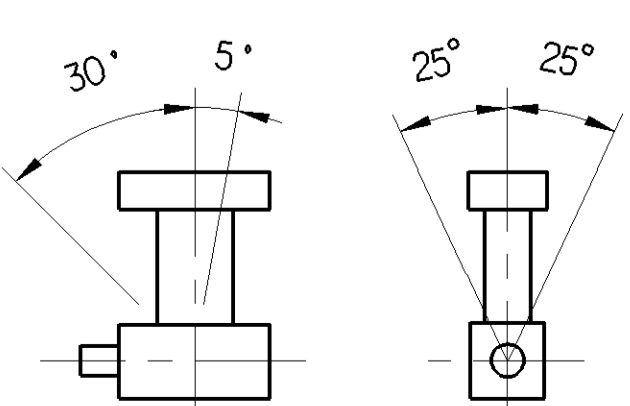
0	SUCTION PORT	M ≤ 100 Nm
2	DISCHARGE PORT	M ≤ 100 Nm
4	GOVERNOR PORT	M ≤ 25 Nm
8.1	OIL SUPPLY	M ≤ 25 Nm
8.2	OIL DRAIN	
9.1	COOLANT CONNECTION	M ≤ 35 Nm
9.2	COOLANT CONNECTION	M ≤ 35 Nm



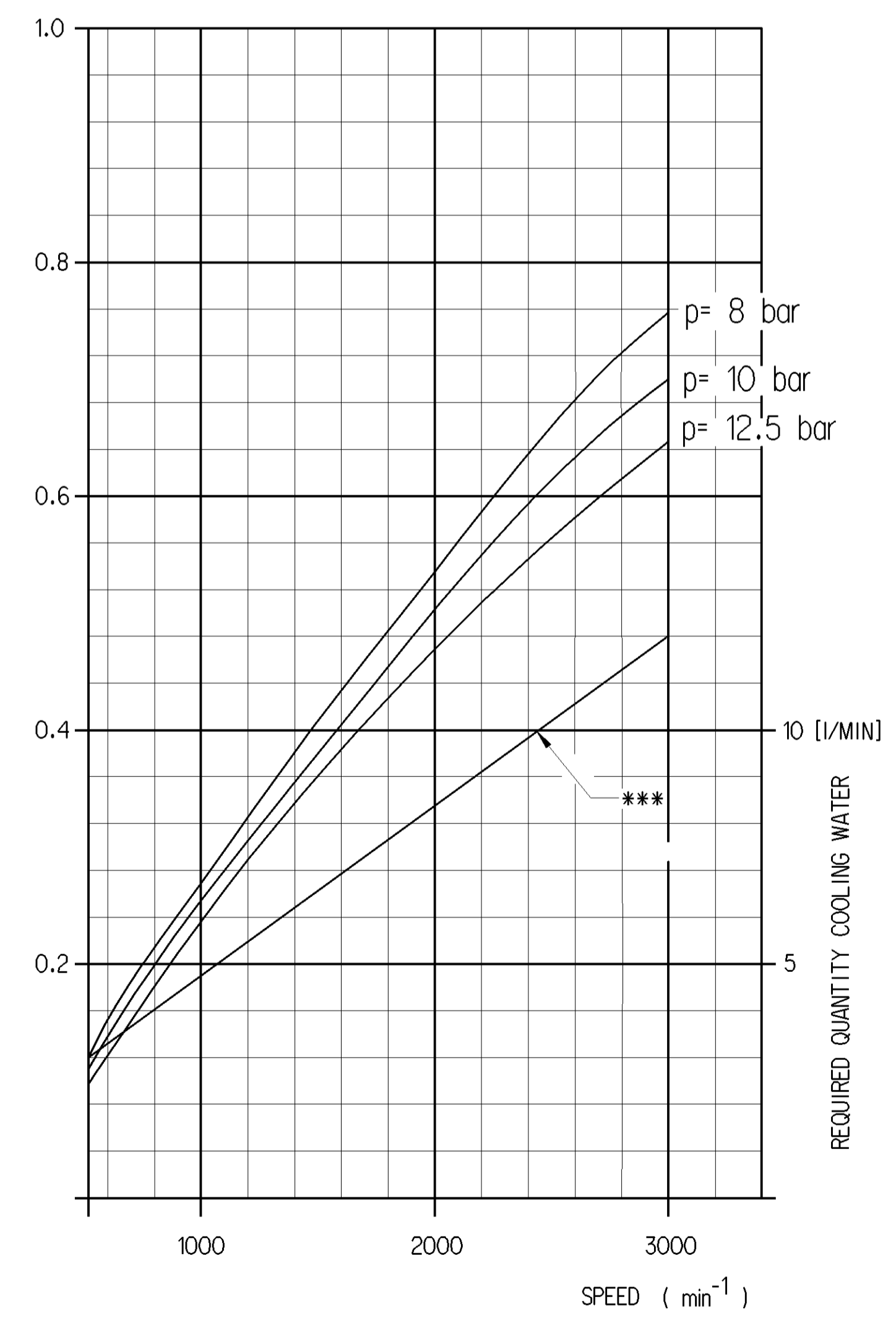
BORE	∅ 75 mm
STROKE	50 mm
SWEPT VOLUME	442 cm ³
MAX. WORKING SPEED	n _{max} = 3000 min ⁻¹
OVERSPEED (MAX. 4 SEC.)	n _{ue} = 1.3 × n _{max}
MAX. WORKING PRESSURE	12.5 bar ②
TOP PRESSURE (MAX. 4 SEC)	16 bar ②
LUBRICATION SUPPLIED FROM ENGINE	
OPENING PRESSURE SAFETY VALVE:	21±3 bar
END PLAY OF CRANKSHAFT	0.05 ... 0.40 mm
MAX PERMISSIBLE DISCHARGE PORT TEMP. IN SERVICE	220°C
FREE FROM ASBESTOS	

② MEASURE AT DISCHARGE PORT

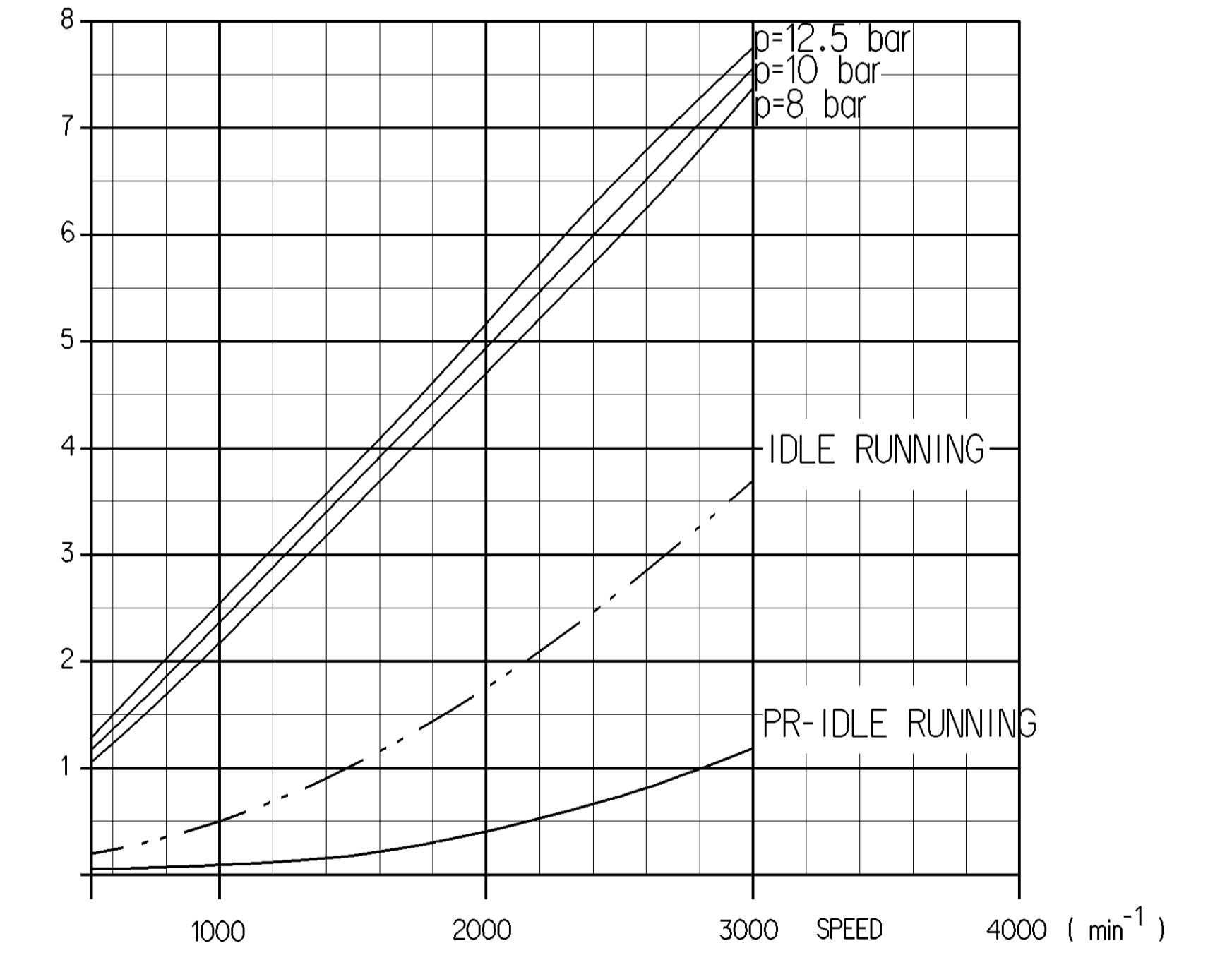
MAX. PERMISSIBLE TILT DURING CONTINUOUS WORKING



(m³ / min) AIR DELIVERY: FREE AIR



(KW) POWER CONSUMPTION



(...) AUXILIARY DIMENSION

① CUSTOMER'S LABEL

General Specifications	JED-534-0	Copyright WABCO	WABCO																																									
Further Technical Data	911 504 506 0	Date	Signature																																									
Doc. Code	530	2016-12-02	Trojko	TWIN CYLINDER COMPRESSOR																																								
	General Tolerances: ISO 2768	2016-12-02	Stokrovan																																									
Range of Nominal Dimensions (± mm)		Class	<table border="1"> <tr> <td>Class</td> <td>± 0.05</td> <td>± 0.1</td> <td>± 0.15</td> <td>± 0.2</td> <td>± 0.3</td> <td>± 0.5</td> <td>± 1</td> <td>± 1.5</td> <td>± 2</td> </tr> <tr> <td>Size</td> <td>0.5</td> <td>1</td> <td>1.5</td> <td>2</td> <td>3</td> <td>4</td> <td>5</td> <td>6</td> <td>8</td> </tr> <tr> <td>Coarse</td> <td>1.0</td> <td>2.0</td> <td>3.0</td> <td>4.0</td> <td>5.0</td> <td>6.5</td> <td></td> <td></td> <td></td> </tr> <tr> <td>Fine</td> <td>2.0</td> <td>3.5</td> <td>5.0</td> <td>6.5</td> <td></td> <td></td> <td></td> <td></td> <td></td> </tr> </table>		Class	± 0.05	± 0.1	± 0.15	± 0.2	± 0.3	± 0.5	± 1	± 1.5	± 2	Size	0.5	1	1.5	2	3	4	5	6	8	Coarse	1.0	2.0	3.0	4.0	5.0	6.5				Fine	2.0	3.5	5.0	6.5					
Class	± 0.05	± 0.1	± 0.15	± 0.2	± 0.3	± 0.5	± 1	± 1.5	± 2																																			
Size	0.5	1	1.5	2	3	4	5	6	8																																			
Coarse	1.0	2.0	3.0	4.0	5.0	6.5																																						
Fine	2.0	3.5	5.0	6.5																																								
Trapped Holes acc. ISO 4039 / AED-T2		Material No.	911 504 506 A																																									
		Part of this sheet	005	EN 1/1																																								
		Author	A O CREO																																									
		Revision	1																																									
		Tech. Resp.																																										
		Replacement for																																										